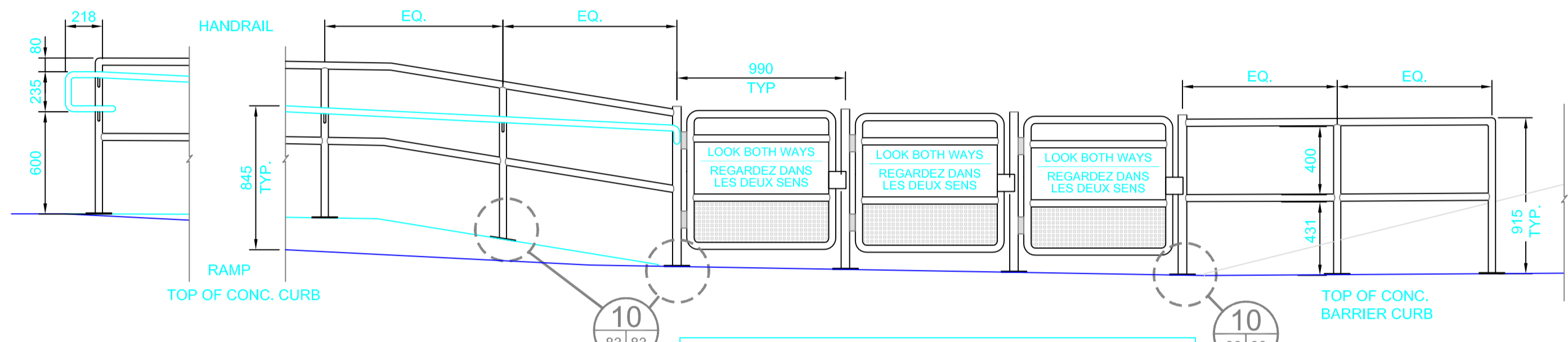


PLAN DETAIL 1
SCALE 1:50

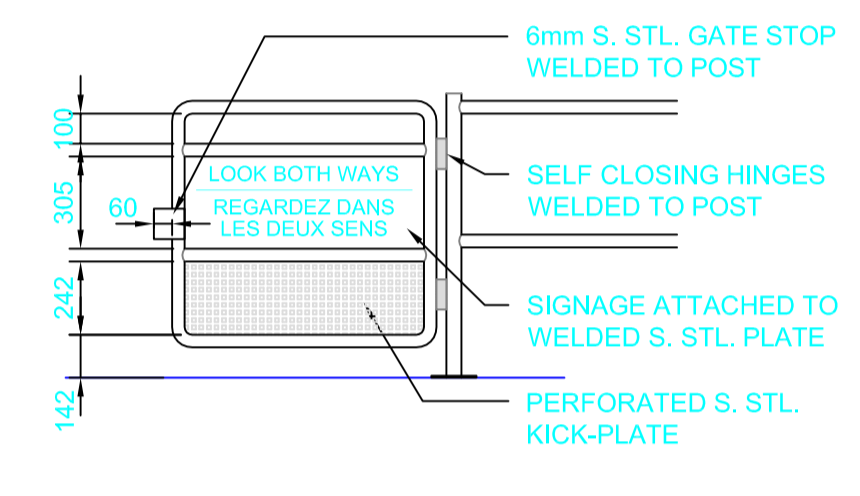
ELEVATION 2
SCALE 1:50

SECTION 3
SCALE 1:50

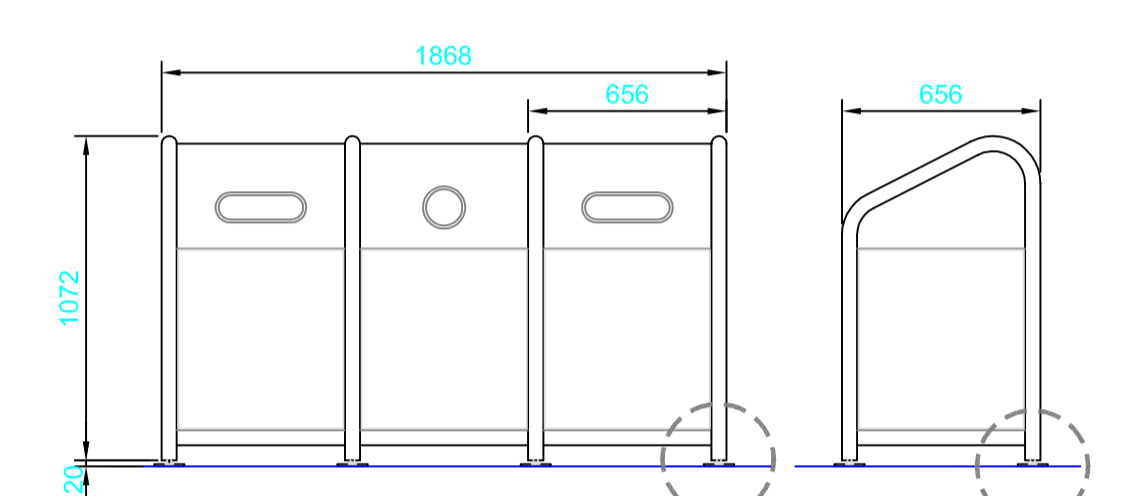


GATES & GUARDS WITH HANDRAIL 4
SCALE 1:25

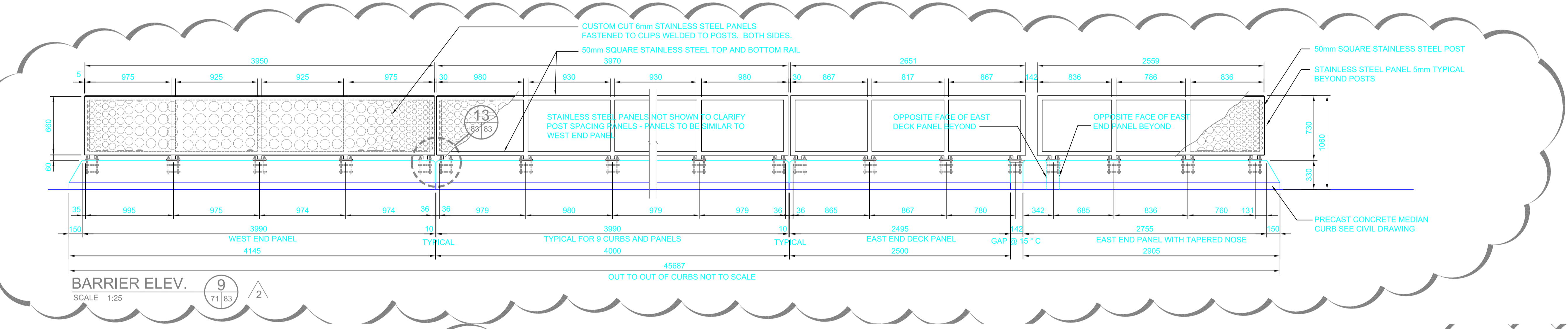
NOTES:
1. MANUFACTURER TO CONFIRM ON SITE ALL DIMENSIONS AND LOCATIONS PRIOR TO MANUFACTURE OF ALL RAILINGS.
2. MANUFACTURER TO SUPPLY SHOP DRAWINGS STAMPED BY A STRUCTURAL ENGINEER LICENSED TO PRACTICE IN MANITOBA.



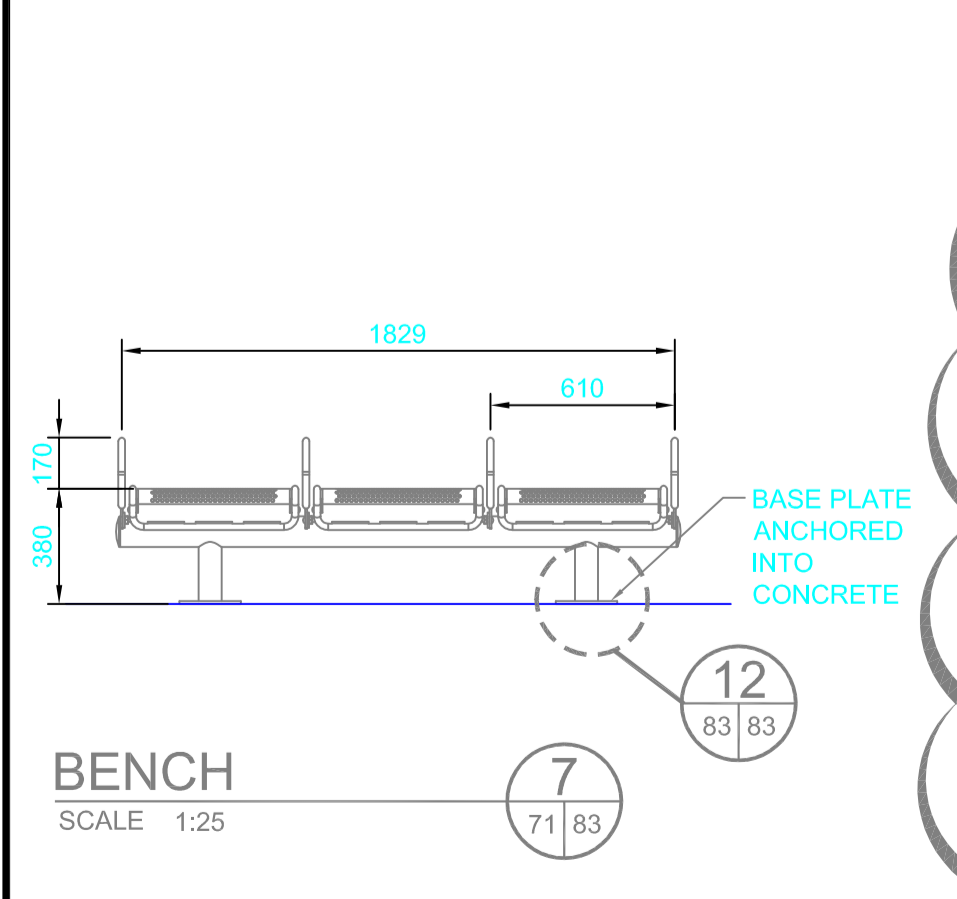
GATE DETAIL 5
SCALE 1:25



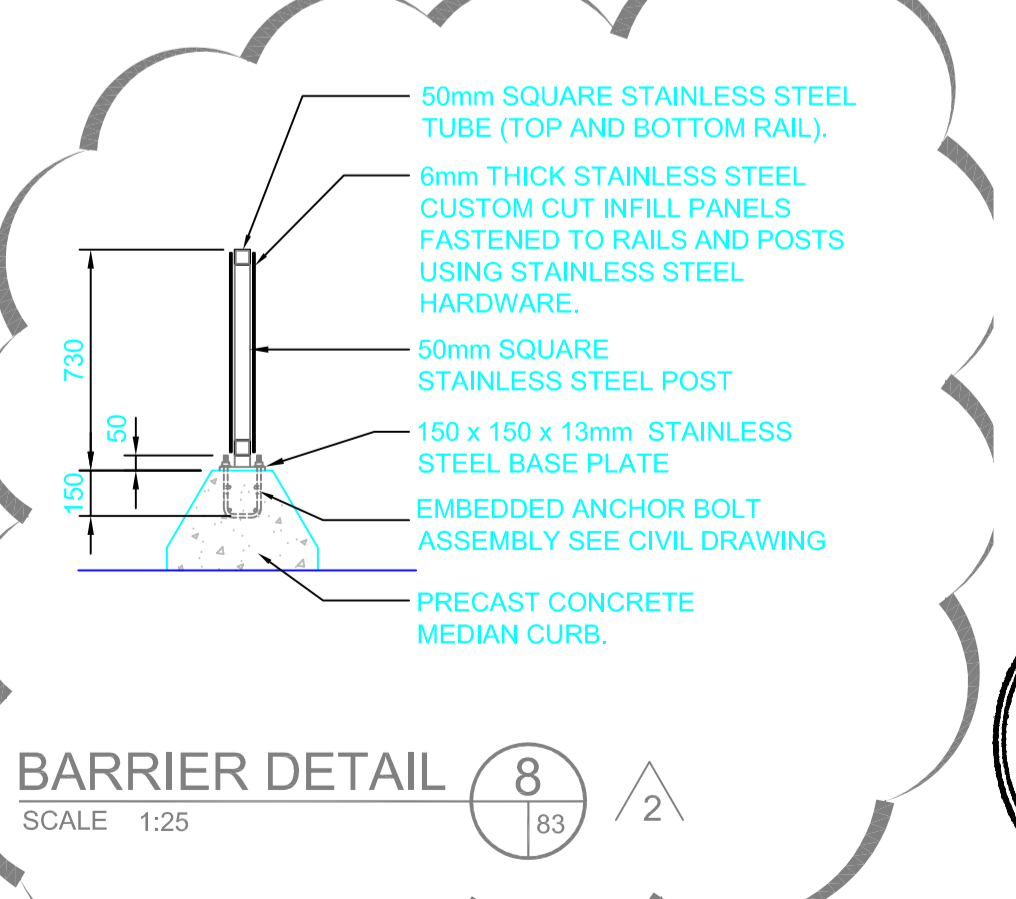
RECYCLE BINS 6
SCALE 1:25



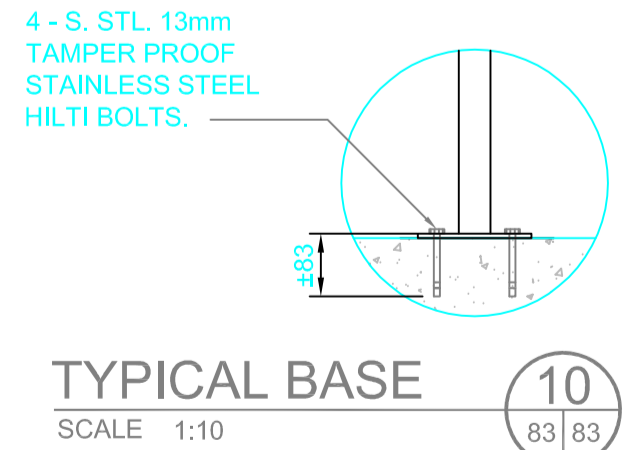
BARRIER ELEV. 9
SCALE 1:25



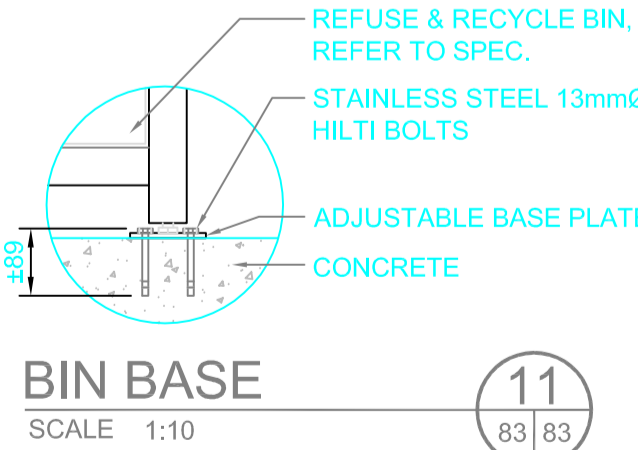
BENCH 7
SCALE 1:25



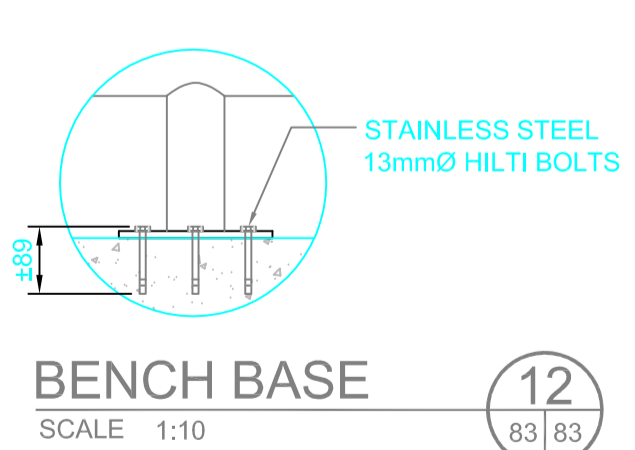
BARRIER DETAIL 8
SCALE 1:25



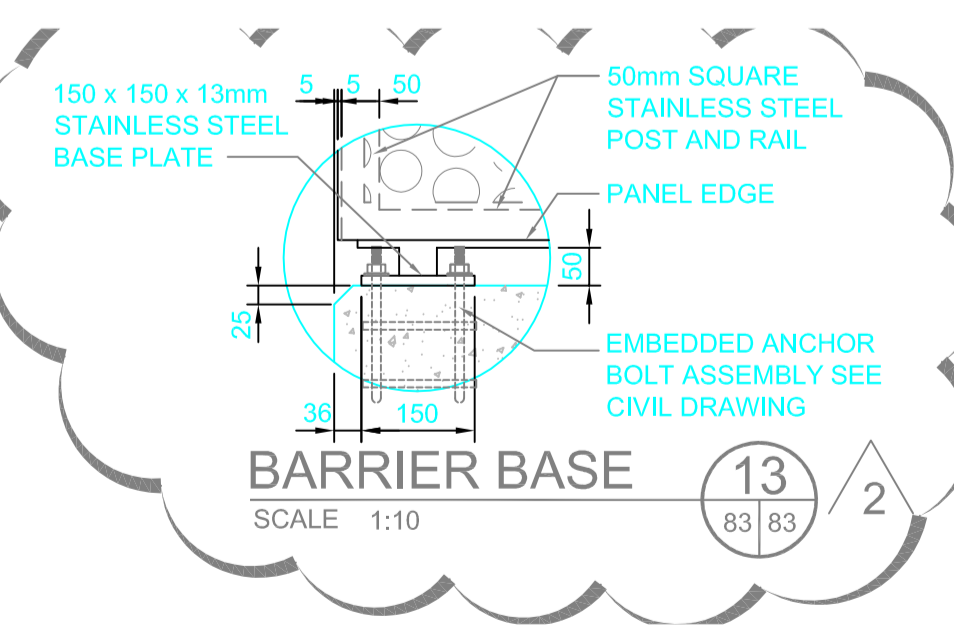
TYPICAL BASE 10
SCALE 1:10



BIN BASE 11
SCALE 1:10



BENCH BASE 12
SCALE 1:10



BARRIER BASE 13
SCALE 1:10

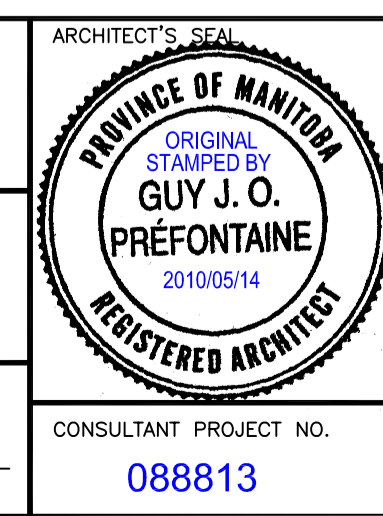


LOCATION UNDERGROUND	APPROVED STRUCTURES	B.M. ELEV.
SUPV. U/G STRUCTURES COMMITTEE	DATE	
NOTE: LOCATION OF UNDERGROUND STRUCTURES AS SHOWN ARE BASED ON THE BEST INFORMATION AVAILABLE, BUT NO GUARANTEE IS GIVEN THAT ALL EXISTING UTILITIES ARE SHOWN OR THAT THE GIVEN LOCATIONS ARE EXACT. CONFIRMATION OF EXISTENCE AND EXACT LOCATION OF ALL SERVICES MUST BE OBTAINED FROM THE INDIVIDUAL UTILITIES BEFORE PROCEEDING WITH CONSTRUCTION.		
NO.	REVISIONS	DATE BY

DESIGNED BY	DRAWN BY	CHECKED BY	APPROVED BY
	dk es re		
HOR. SCALE	as noted	VERTICAL	
DATE	2010/05/14	DATE	2010/05/14

gpparchitecture
DILLON CONSULTING

RELEASED FOR CONSTRUCTION
ORIGINAL SIGNED BY RANDY FINGAS
DATE: 2010/05/14



THE CITY OF WINNIPEG
TRANSIT DEPARTMENT

Winnipeg

SOUTHWEST RAPID TRANSIT CORRIDOR - STAGE 1
OSBORNE STATION & ASSOCIATED WORKS

INTERIOR ELEVATIONS & DETAILS

CITY DRAWING NUMBER: B237-10-83
SHEET 83 OF 121
CONSULTANT DRAWING NUMBER: C5-A2012-T

CONSULTANT PROJECT NO. 088813

H:\2009\09193 Osborne BRT Station\W5-A2012-T-interior elevations - details.dwg