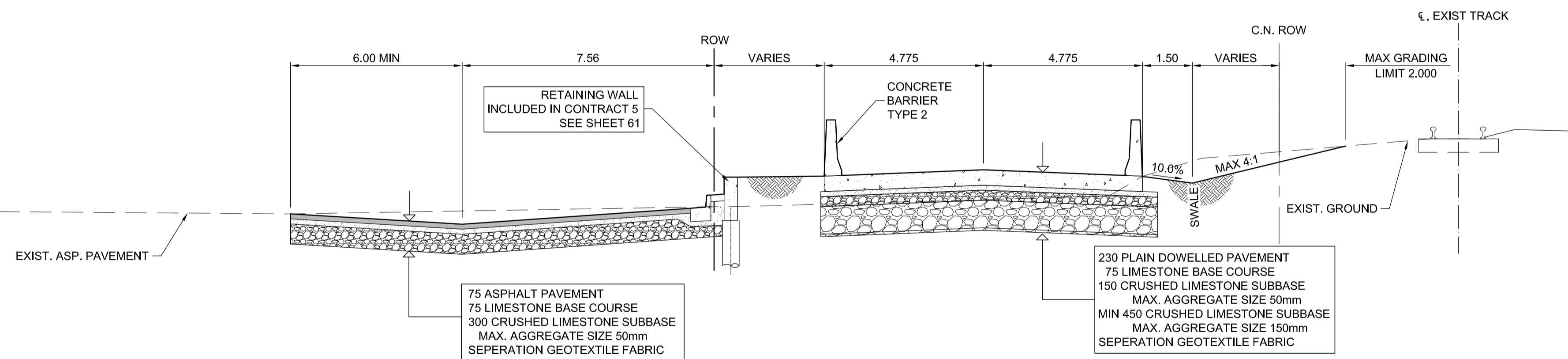


**A** SECTION - STA. 12+250  
103106 SCALE: H = 1:100 V = 1:50

THIS PAGE HAS BEEN SHOWN FOR CLARITY AND IS NOT INCLUDED IN THIS CONTRACT EXCEPT FOR NOTES SHOWN OTHERWISE

ITEMS OF WORK SHOWN IN SECTIONS ARE WITHIN CONTRACT 5 PROJECT LIMITS BUT ARE TO BE COMPLETED BY CONTRACT 6 CONTRACTOR.

COORDINATE CONSTRUCTION ACTIVITIES WITH CONTRACT 6



**B** SECTION - STA. 12+280  
103106 SCALE: H = 1:100 V = 1:50

METRIC

WHOLE NUMBERS INDICATE MILLIMETRES  
DECIMALIZED NUMBERS INDICATE METRES.

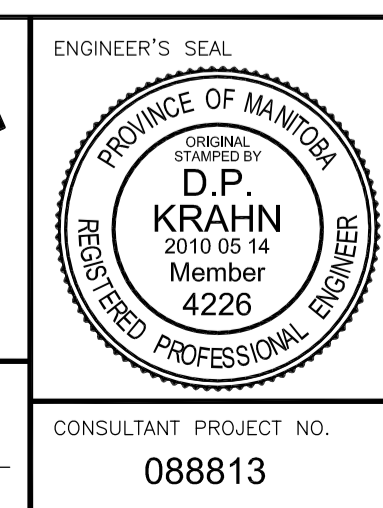


LOCATION	APPROVED	B.M. ELEV.	DESIGNED BY
UNDERGROUND	STRUCTURES	654265 (633392.694, 5525026.192) 232.518	RTP
SUPV. U/G STRUCTURES COMMITTEE	DATE		DRAWN BY
			TJH/PMW
			CHECKED BY
			TJP
			APPROVED BY
			DPK
			HOR. SCALE
			1 : 100
			VERTICAL
			1 : 50
			DATE
			2010/05/14
			DATE
			2010/05/14

NOTE:  
LOCATION OF UNDERGROUND STRUCTURES AS SHOWN ARE BASED ON THE BEST INFORMATION AVAILABLE BUT NO GUARANTEE IS GIVEN THAT ALL EXISTING UTILITIES ARE SHOWN OR THAT THE GIVEN LOCATIONS ARE EXACT. CONFIRMATION OF EXISTENCE AND EXACT LOCATION OF ALL SERVICES MUST BE OBTAINED FROM THE INDIVIDUAL UTILITIES BEFORE PROCEEDING WITH CONSTRUCTION.

NO.	REVISIONS	DATE	BY	DATE
1	ISSUED FOR TENDER	10/05/14	DPK	2010/05/14

DESIGNED BY	DRAWN BY	CHECKED BY	APPROVED BY	HOR. SCALE	VERTICAL	DATE
RTP	TJH/PMW	TJP	DPK	1 : 100	1 : 50	2010/05/14



		CITY DRAWING NUMBER <b>B237-10-106</b>
SOUTHWEST RAPID TRANSIT CORRIDOR - STAGE 1 OSBORNE STATION & ASSOCIATED WORKS		SHEET OF <b>106</b> OF <b>121</b>
CROSS SECTIONS 2 OF 3		CONSULTANT DRAWING NUMBER <b>C5-C3009-T</b>