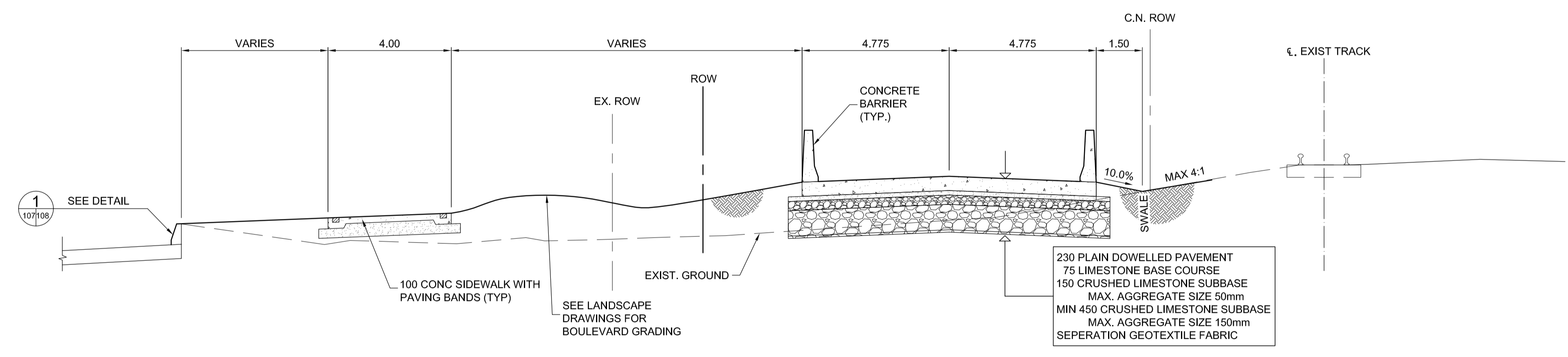


C SECTION - STA. 12+330
 103107 SCALE: H = 1:100 V = 1:50

THIS PAGE HAS BEEN SHOWN FOR CLARITY AND IS NOT INCLUDED IN THIS CONTRACT

ITEMS OF WORK SHOWN IN SECTIONS ARE WITHIN CONTRACT 5 PROJECT LIMITS BUT ARE TO BE COMPLETED BY CONTRACT 6 CONTRACTOR.

COORDINATE CONSTRUCTION ACTIVITIES WITH CONTRACT 6



D SECTION - STA. 12+380
 103107 SCALE: H = 1:100 V = 1:50

METRIC
 WHOLE NUMBERS INDICATE MILLIMETRES
 DECIMALIZED NUMBERS INDICATE METRES.

G:\CAD\088813\Contract\Station\Current\Station\Bridges\C5-C120-P-Cross Sections.dwg



LOCATION UNDERGROUND STRUCTURES	APPROVED DATE	B.M. ELEV.	654265 (633392.694, 5525026.192) 232.518	DESIGNED BY	RTP
SUPV. U/G STRUCTURES COMMITTEE	DATE			DRAWN BY	TJH/PMW
				CHECKED BY	TJP
				APPROVED BY	DPK
				HOR. SCALE	1 : 100
				VERTICAL	1 : 50
				RELEASSED FOR CONSTRUCTION	ORIGINAL SIGNED BY RANDY FINGAS
				CONSULTANT PROJECT NO.	088813
				DATE	2010/05/14
				DATE	2010/05/14

1	ISSUED FOR TENDER	10/05/14	DPK
NO.	REVISIONS	DATE	BY

DILLON CONSULTING

RELEASED FOR CONSTRUCTION
 ORIGINAL SIGNED BY RANDY FINGAS
 DATE 2010/05/14

ENGINEER'S SEAL
 PROVINCE OF MANITOBA
 ORIGINAL SIGNED BY
D.P. KRAHN
 2010 05 14
 Member
 4226
 REGISTERED PROFESSIONAL ENGINEER

THE CITY OF WINNIPEG
 TRANSIT DEPARTMENT

SOUTHWEST RAPID TRANSIT CORRIDOR - STAGE 1
 OSBORNE STATION & ASSOCIATED WORKS

CITY DRAWING NUMBER
B237-10-107

SHEET
 107 OF 121

CONSULTANT DRAWING NUMBER
C5-C3010-T

CROSS SECTIONS 3 OF 3