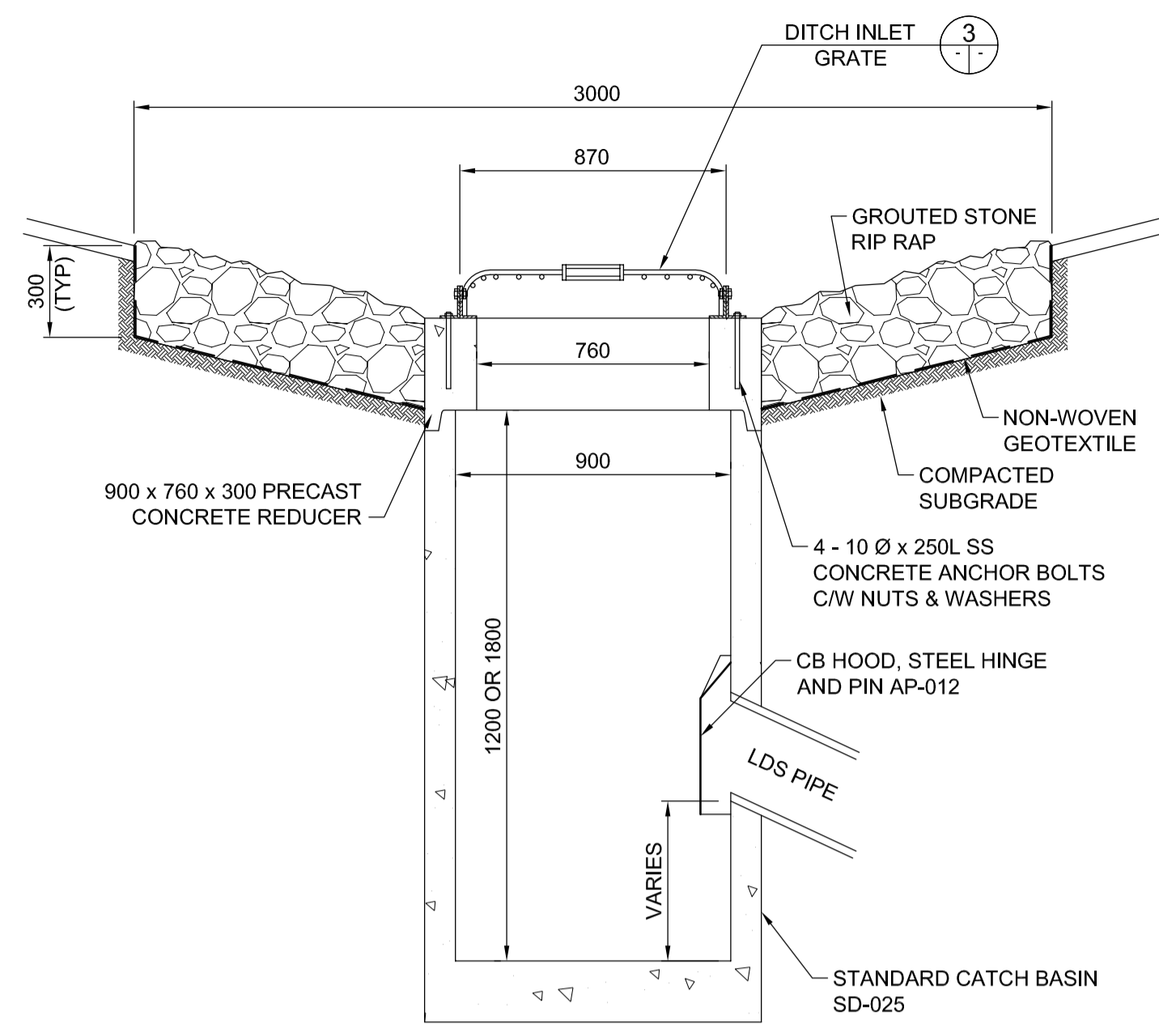
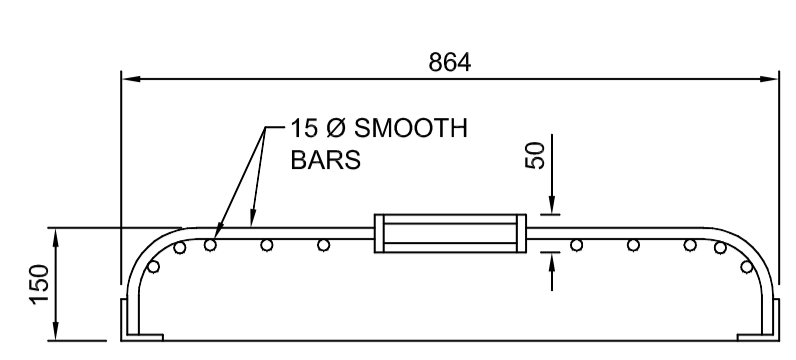


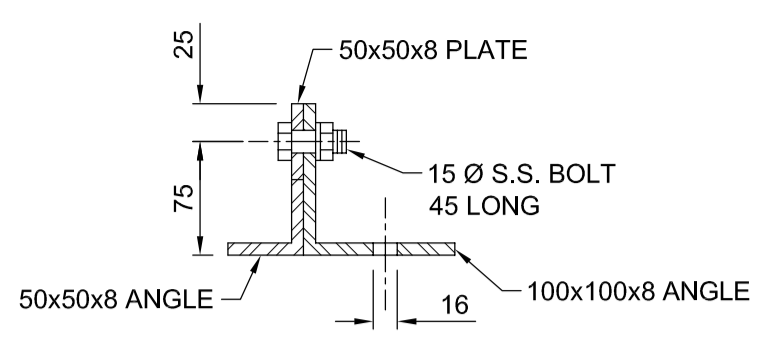
1 DOWNSPOUT DETAIL
109-110/108 SCALE 1:10



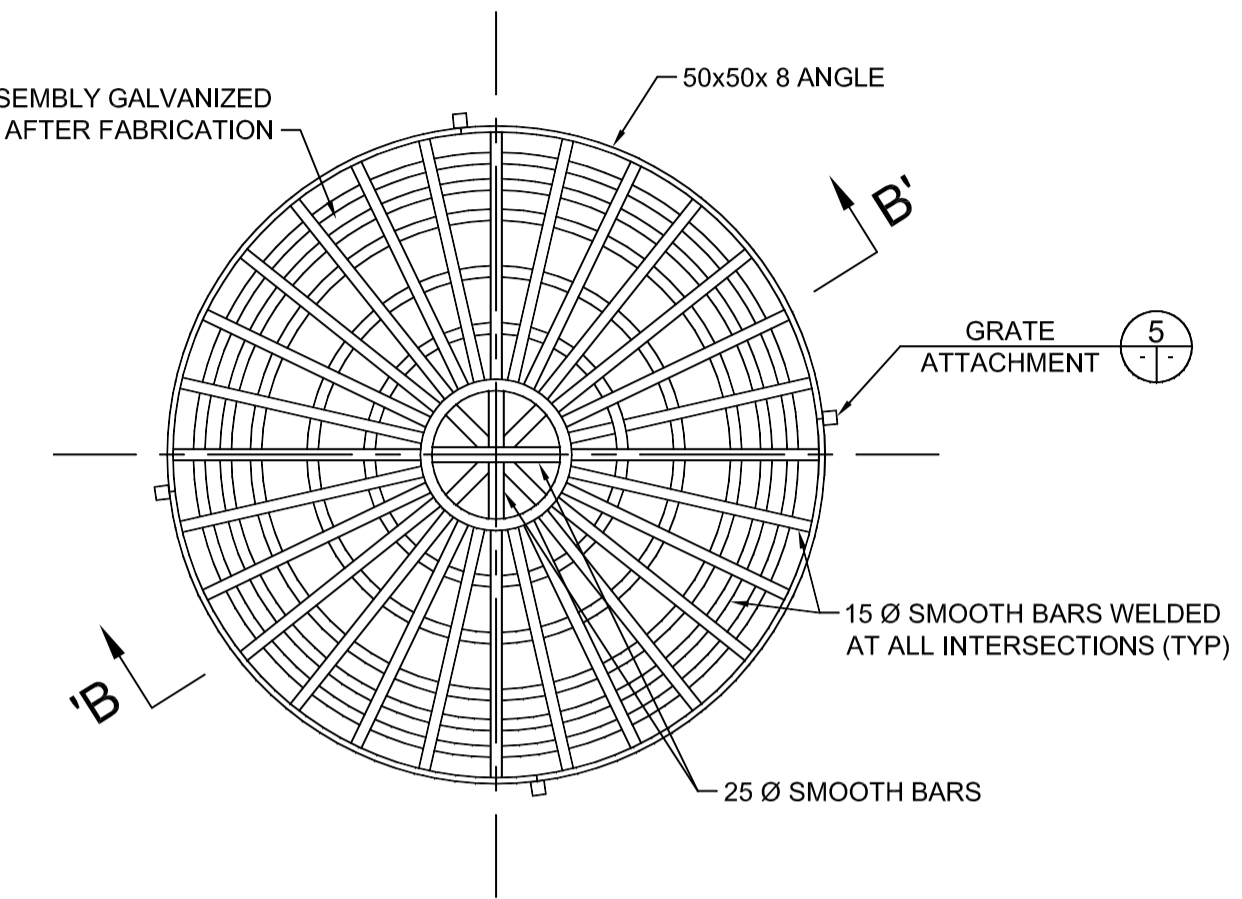
2 CATCH BASIN C/W RIP RAP
109-110/108 SCALE 1:20



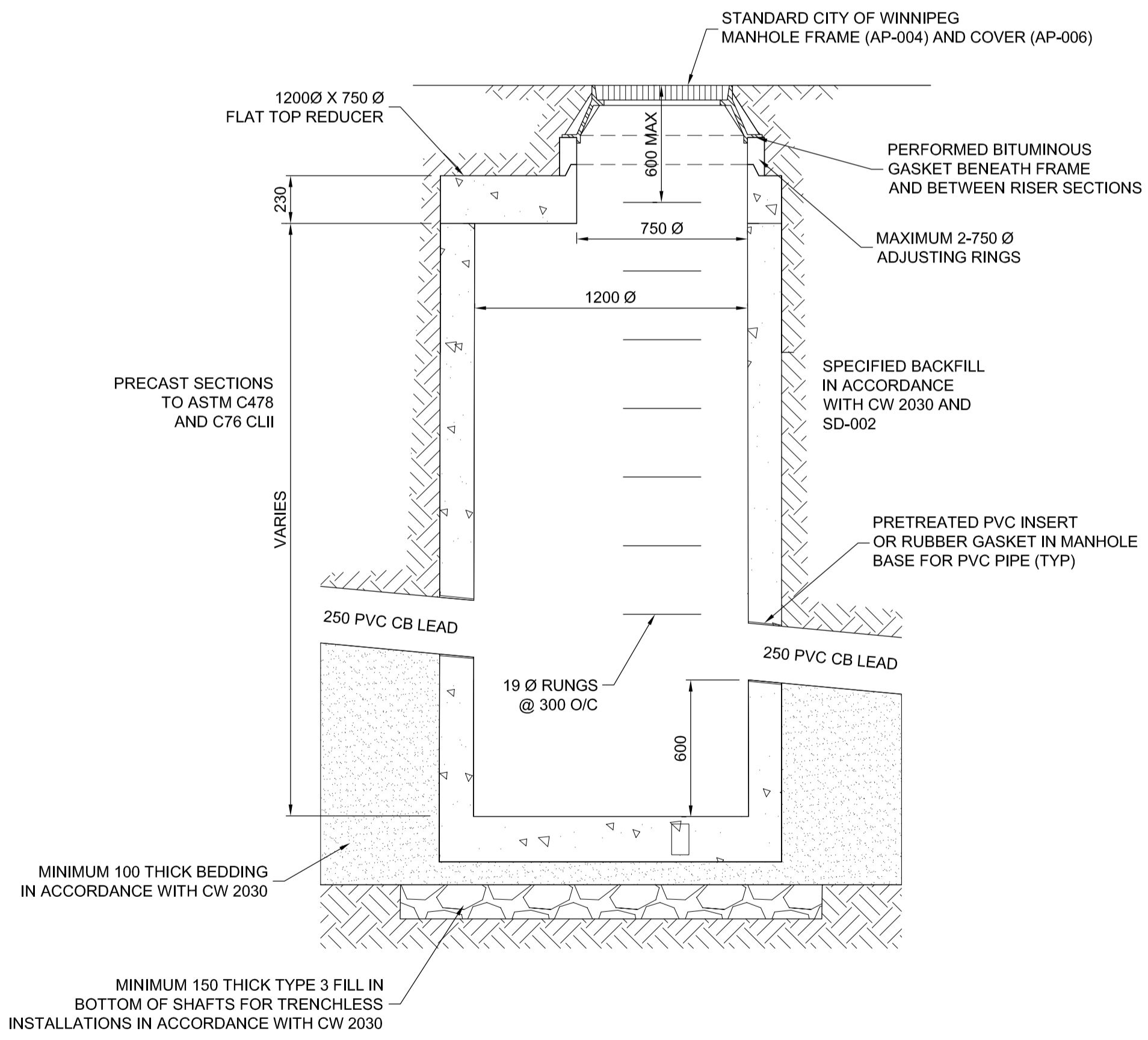
SECTION 'B-B'
SCALE 1:10



5 GRATE ATTACHMENT
SCALE 1:5



3 DITCH INLET GRATE
SCALE 1:20



4 MANHOLE SD-010 (SIM)
109-110/108 SCALE 1:20

G:\CAD\088813\Contract\Contract 5-Osborne Station\Current\Bridges\C5-C120-P-Cross Sections.dwg



LOCATION UNDERGROUND APPROVED STRUCTURES SUPV. U/G STRUCTURES COMMITTEE DATE	B.M. ELEV. 654265 (633392.694, 5525026.192) 232.518	DESIGNED BY RTP DRAWN BY TJH/PMW CHECKED BY TJP APPROVED BY DPK		ENGINEER'S SEAL PROVINCE OF MANITOBA ORIGINAL CERTIFIED BY D.P. KRAHN 2010 05 14 Member 4226 REGISTERED PROFESSIONAL ENGINEER	
NOTE: LOCATION OF UNDERGROUND STRUCTURES AS SHOWN ARE BASED ON THE BEST INFORMATION AVAILABLE. BUT NO GUARANTEE IS GIVEN THAT ALL EXISTING UTILITIES ARE SHOWN OR THAT THE GIVEN LOCATIONS ARE EXACT. CONFIRMATION OF EXISTENCE AND EXACT LOCATION OF ALL SERVICES MUST BE OBTAINED FROM THE INDIVIDUAL UTILITIES BEFORE PROCEEDING WITH CONSTRUCTION.	1 ISSUED FOR TENDER 10/05/14 DPK	HOR. SCALE 1 : 250 VERTICAL 1 : 10 2010/05/14	RELEASED FOR CONSTRUCTION ORIGINAL SIGNED BY RANDY FINGAS DATE 2010/05/14	CONSULTANT PROJECT NO. 088813	SOUTHWEST RAPID TRANSIT CORRIDOR - STAGE 1 OSBORNE STATION & ASSOCIATED WORKS CATCH BASIN DETAILS
					CITY DRAWING NUMBER B237-10-108 SHEET 108 OF 121 CONSULTANT DRAWING NUMBER C5-C3011-T