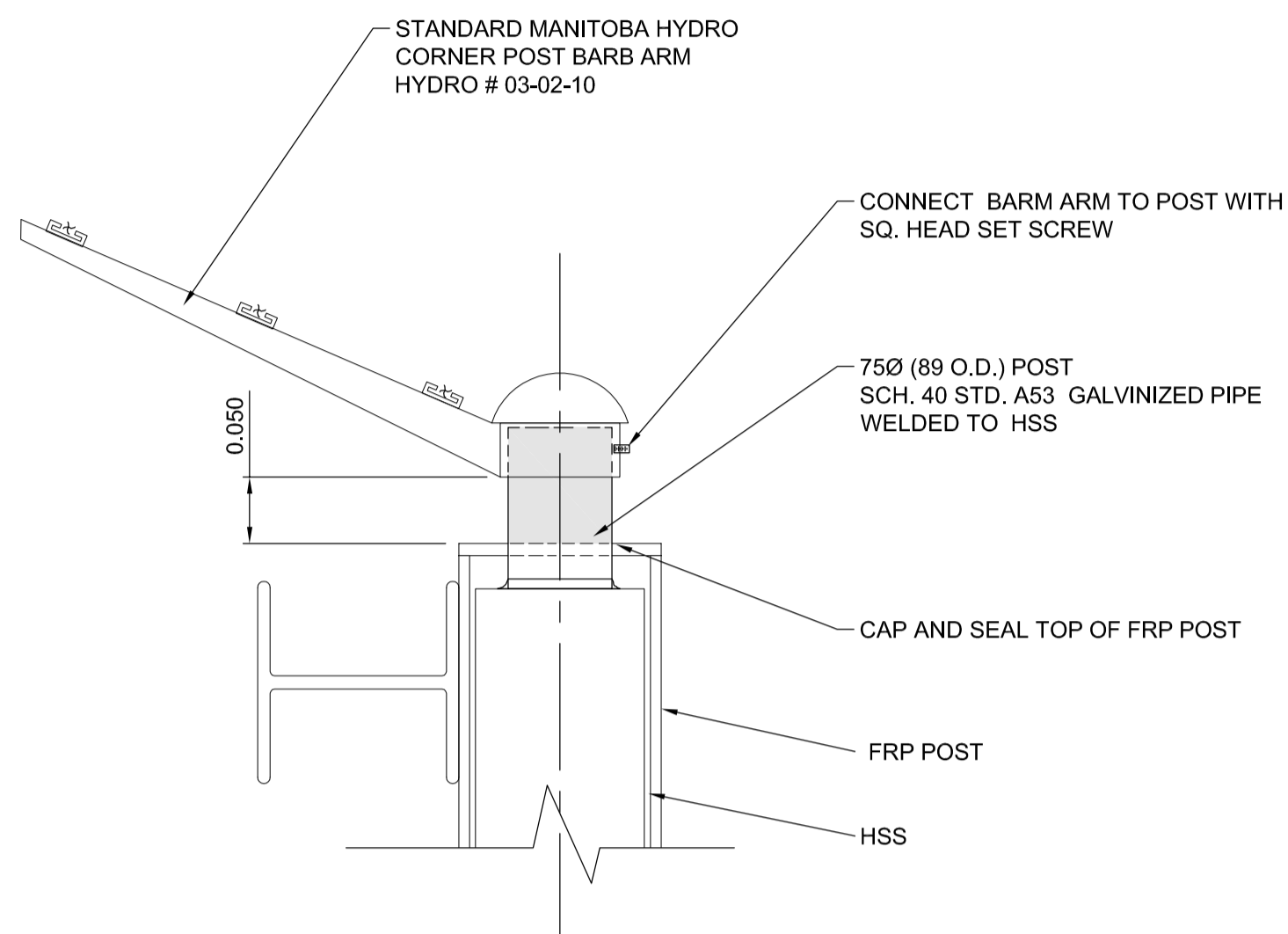
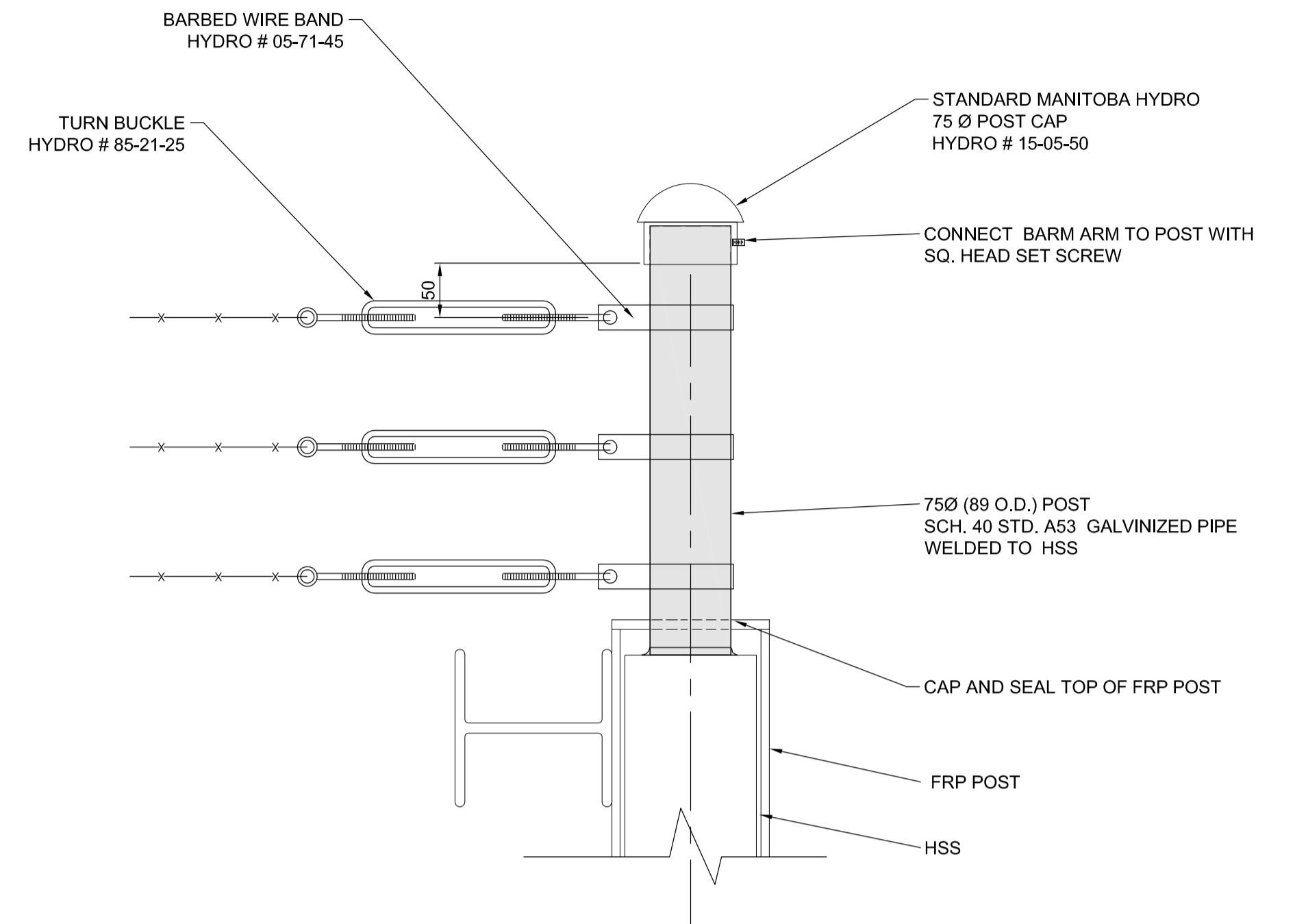


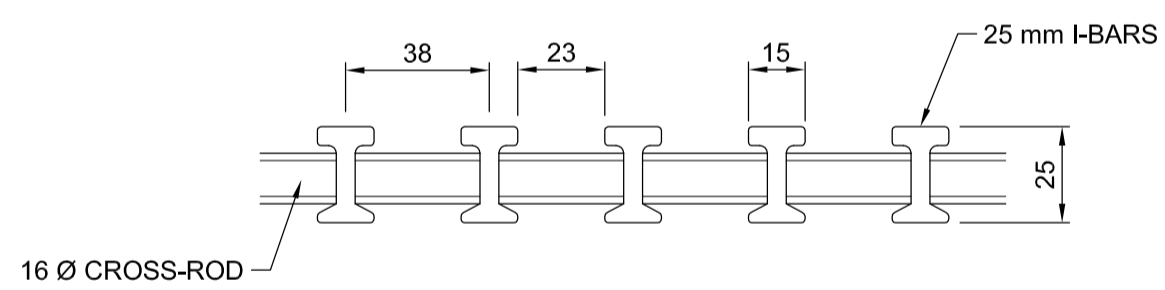
1 LINE POST BARB ARM DETAIL
SCALE 1:5



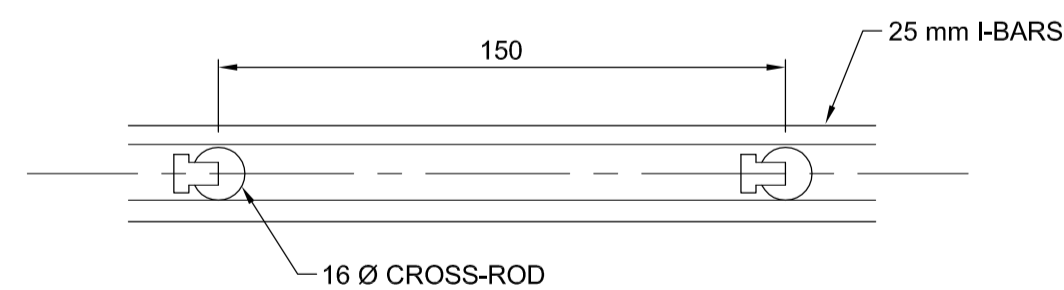
2 CORNER POST BARB ARM DETAIL
SCALE 1:5



3 END POST BARBED WIRE TERMINAL
SCALE 1:5



HORIZONTAL SECTION



VERTICAL SECTION

4 FRP PANEL SECTIONS
SCALE 1:2



| | | | | | | | | | |
|----------------------------------------------------------------------------------------------------------------------------------------------------------------------------------------------------------------------------------------------------------------------------------------------------------------------------------------------------------|---------------------|-----------------------------------------------------|----------------------------------------------------------------------------|--|--|--|----------------------------------------------------------------------------------|------------------------------------------|-------------------------------------|
| LOCATION UNDERGROUND STRUCTURES | APPROVED STRUCTURES | B.M. ELEV. 654265 (633392.694, 5525026.192) 232.518 | DESIGNED BY SSR | | | | SOUTHWEST RAPID TRANSIT CORRIDOR - STAGE 1 OSBORNE STATION & ASSOCIATED WORKS | CITY DRAWING NUMBER B237-10-11 | |
| SUPV. U/G STRUCTURES COMMITTEE | DATE | DRAWN BY RTP | CHECKED BY SSR | | | | | SHEET 11 OF 121 | |
| NOTE: LOCATION OF UNDERGROUND STRUCTURES AS SHOWN ARE BASED ON THE BEST INFORMATION AVAILABLE BUT NO GUARANTEE IS GIVEN THAT ALL EXISTING UTILITIES ARE SHOWN OR THAT THE GIVEN LOCATIONS ARE EXACT. CONFIRMATION OF EXISTENCE AND EXACT LOCATION OF ALL SERVICES MUST BE OBTAINED FROM THE INDIVIDUAL UTILITIES BEFORE PROCEEDING WITH CONSTRUCTION. | | APPROVED BY DPK | HOR. SCALE VERTICAL | | | | | CONSULTANT PROJECT NO. 088813 | CONSULTANT DRAWING NUMBER C5-G110-T |
| | | 1 ISSUED FOR TENDER 10/05/14 DPK | RELEASSED FOR CONSTRUCTION ORIGINAL SIGNED BY RANDY FINGAS DATE 2010/05/14 | | | | | HYDRO SUBSTATION SECURITY FENCING 2 OF 2 | |