

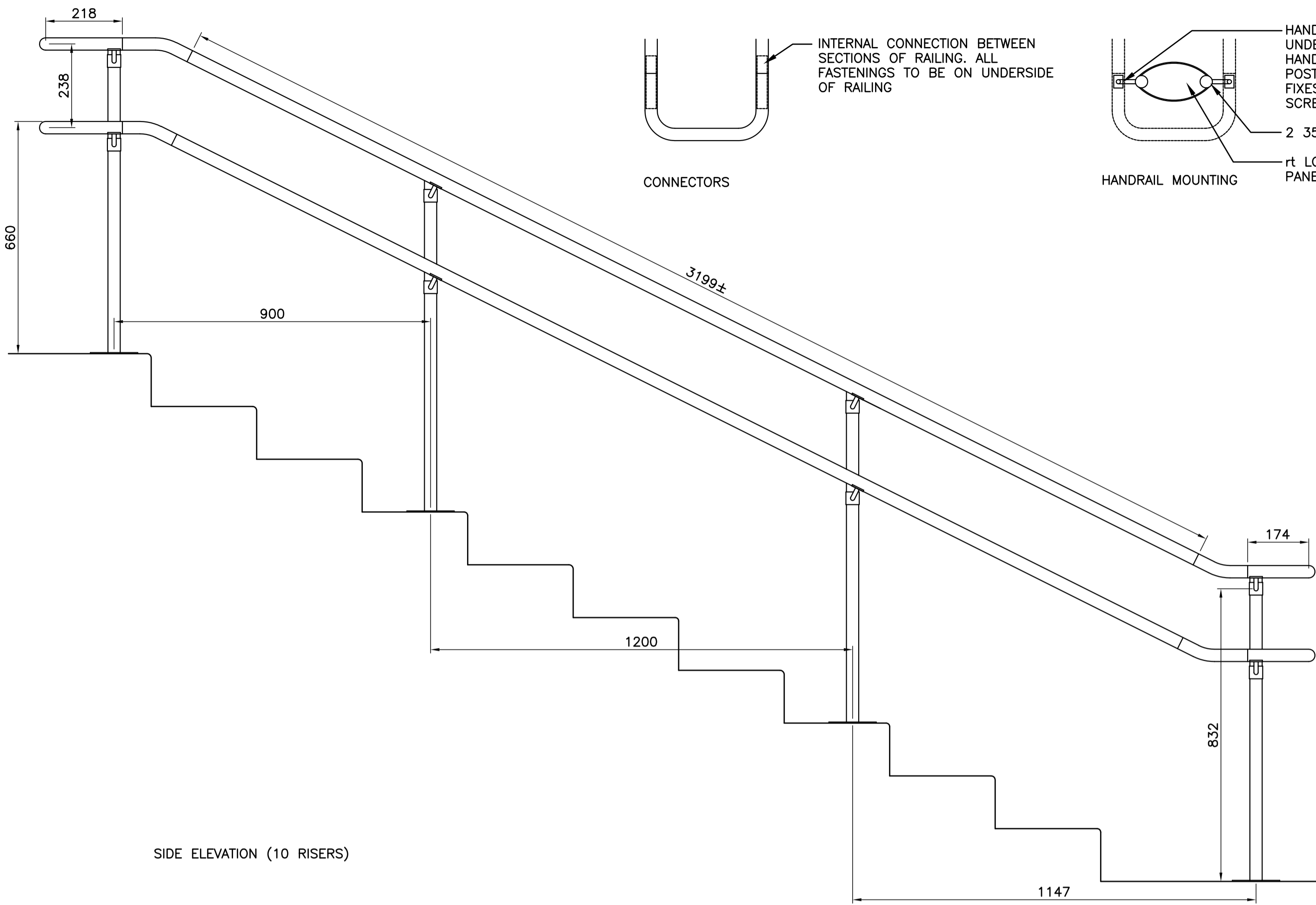
35mm ϕ STAINLESS STEEL HANDRAIL. 8 PIECE CONSTRUCTION PER HANDRAIL: 2 STRAIGHT SECTIONS, 4 BENT ANGLE SECTION, & 2 END SECTIONS

HANDRAIL SUPPORTS MOUNTED TO UNDERSIDE OF END SECTION OF HANDRAIL. MOUNTING BRACKET ON POSTS SLIDES OVER TOP AND FIXES IN PLACE WITH SELF TAPPING SCREWS

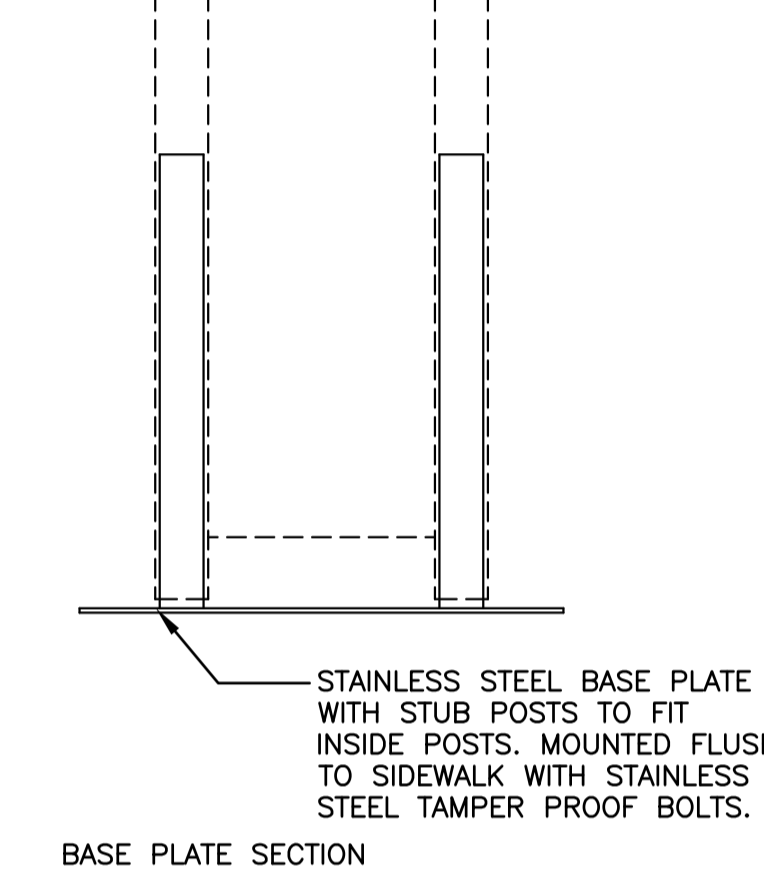
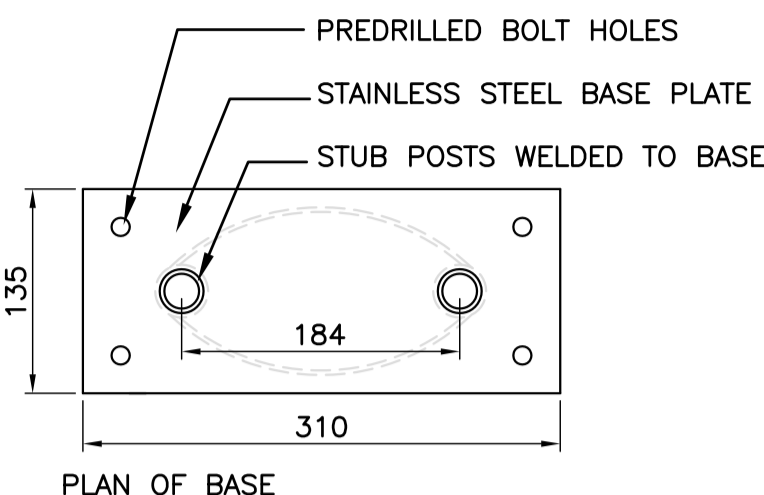
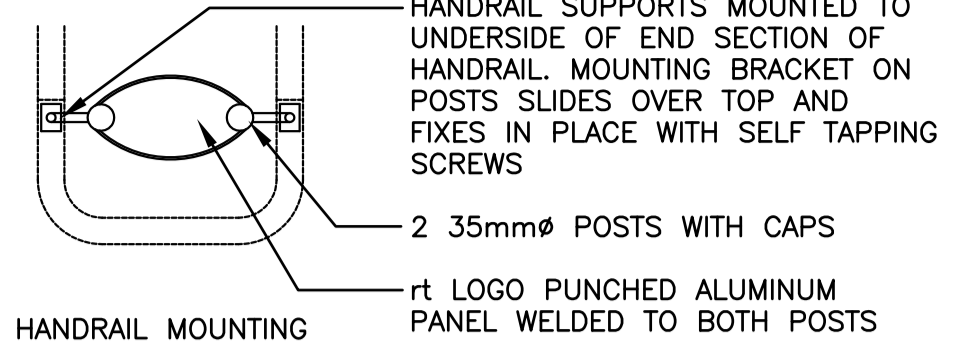
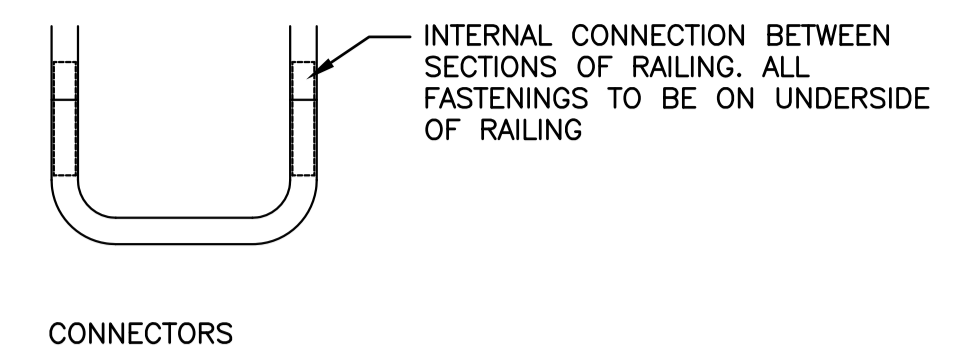
POSTS - 2 35mm ϕ POSTS WITH CAPS AND rt LOGO PUNCHED ALUMINUM PANEL WELDED TO BOTH POSTS PRIOR TO PAINTING. POSTS TO BE POWDER COATED TIGER DRYLAC 5005 (TRANSIT BLUE)

STAINLESS STEEL BASE PLATE WITH STUB POSTS TO FIT INSIDE POSTS. MOUNTED FLUSH TO SIDEWALK WITH STAINLESS STEEL TAMPER PROOF BOLTS.

SECTION AT POST

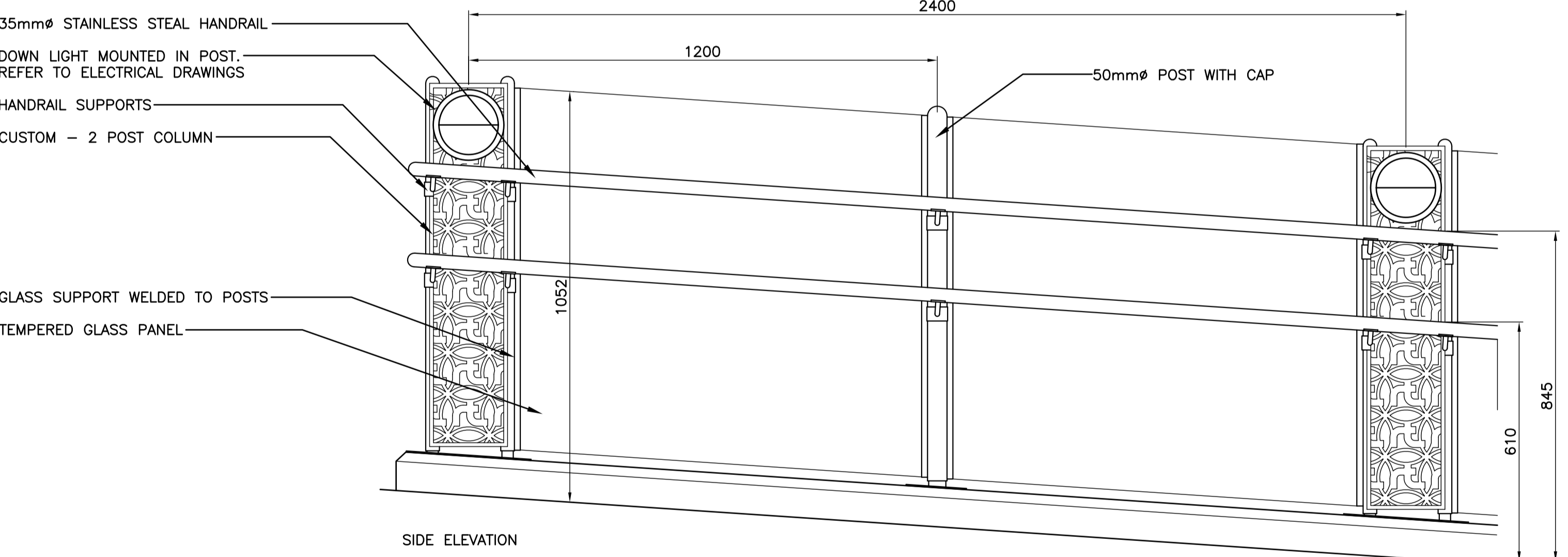
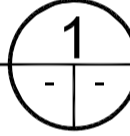


SIDE ELEVATION (10 RISERS)

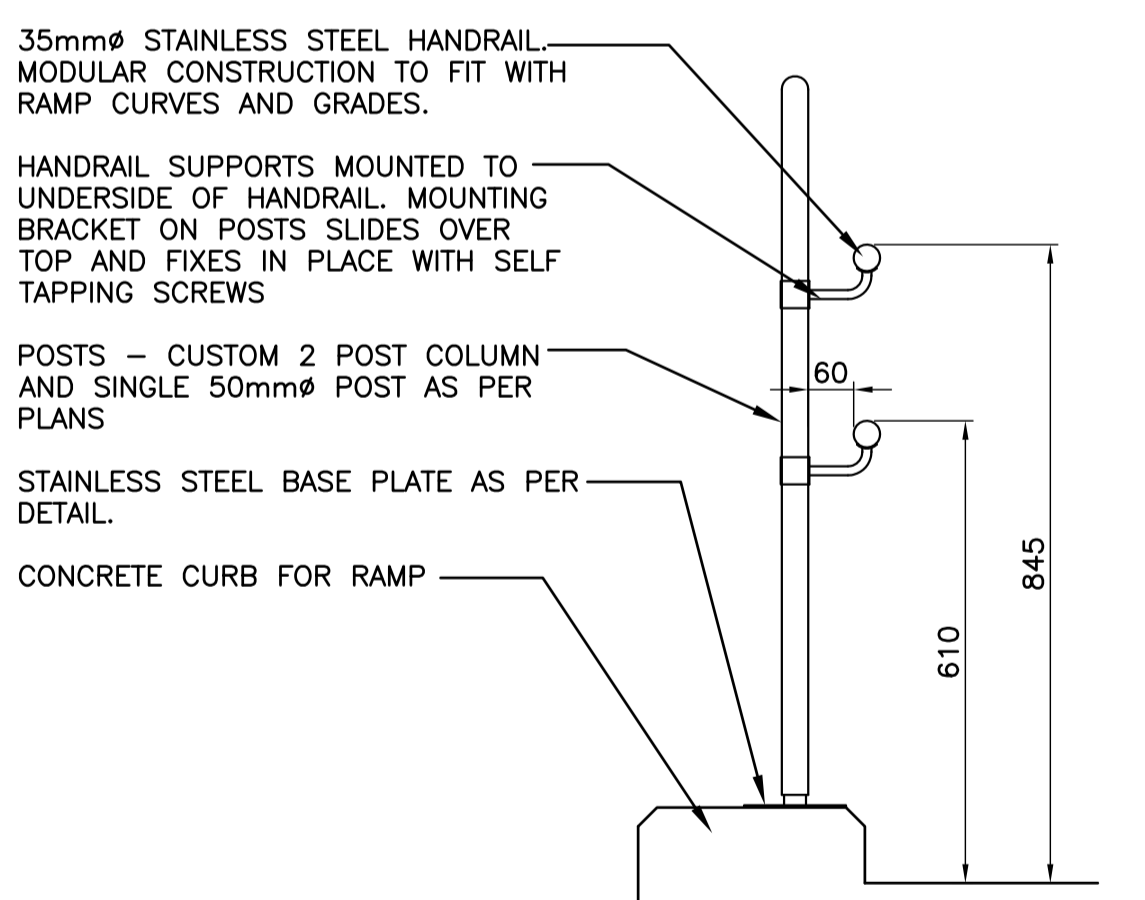


- NOTES:
- MANUFACTURER TO FIELD MEASURE ALL STAIR LOCATIONS TO CONFIRM DIMENSIONS & MOUNTING SURFACES PRIOR TO MANUFACTURE OF RAILING
 - MANUFACTURER TO SUPPLY DRAWINGS STAMPED BY A STRUCTURAL ENGINEER LICENSED TO PRACTICE IN MANITOBA FOR ALL RAILINGS

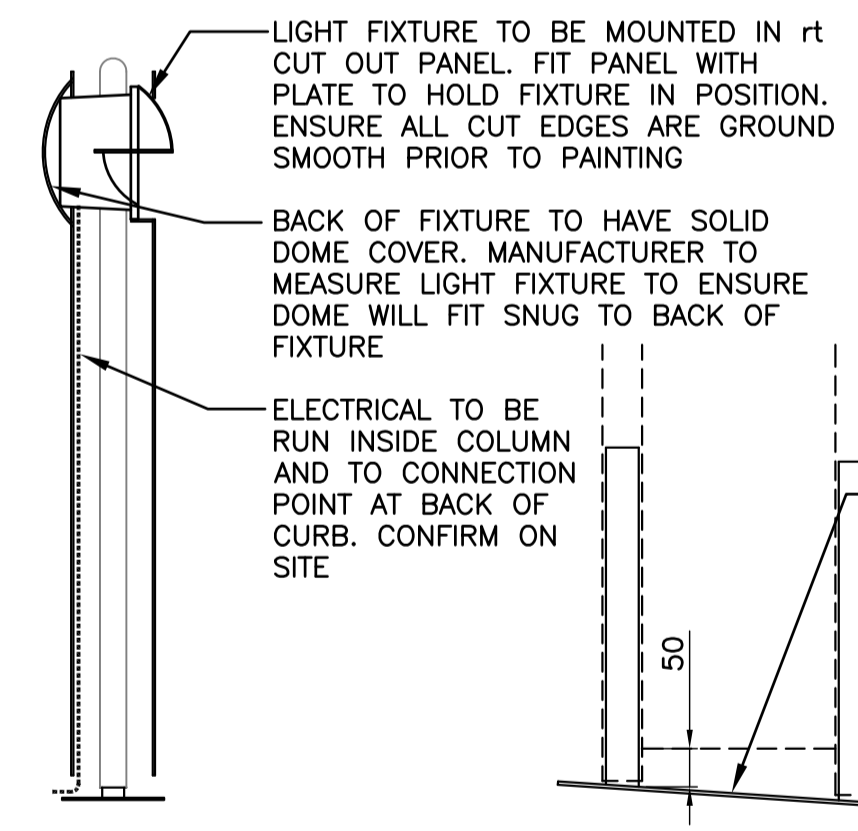
SELF SUPPORTING HANDRAIL
N.T.S.



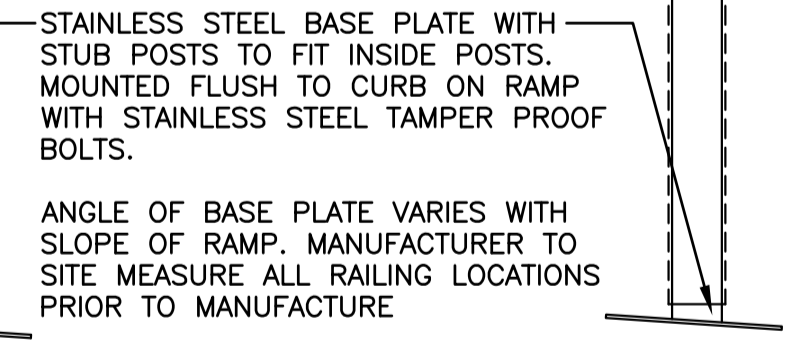
SIDE ELEVATION



SECTION AT COLUMN

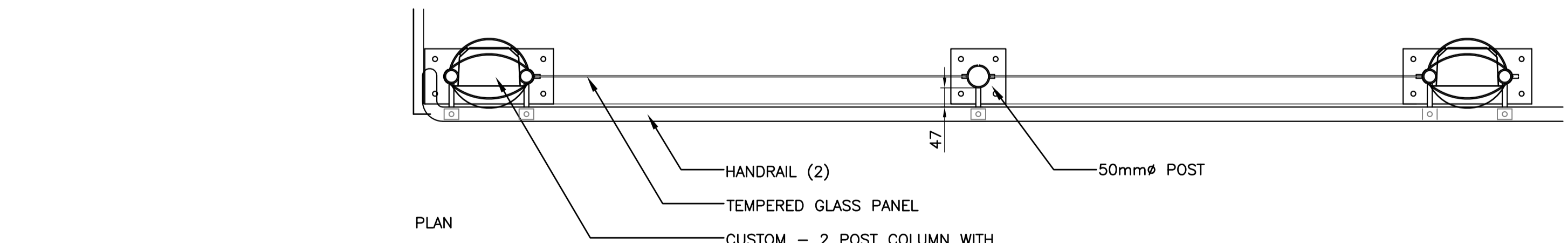


SECTION AT LIGHT



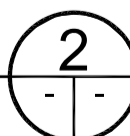
BASE PLATE SECTION

- NOTES:
- MANUFACTURER TO FIELD MEASURE ALL STAIR AND RAMP LOCATIONS TO CONFIRM DIMENSIONS & MOUNTING SURFACES PRIOR TO MANUFACTURE OF RAILING



PLAN

GUARDRAIL WITH HANDRAIL
N.T.S.



NOT FOR CONSTRUCTION

ALL DIMENSIONS PROVIDED FOR INFORMATION ON DESIGN INTENT.

CONTACTOR TO SUPPLY SHOP DRAWINGS STAMPED BY A STRUCTURAL ENGINEER LICENSED TO PRACTICE IN THE PROVINCE OF MANITOBA WITH EXTENSIVE EXPERIENCE IN THE DESIGN & MANUFACTURING OF ALL RAILINGS TRELLIS AND STRUCTURES. SHOP DRAWINGS TO INCLUDE WALL THICKNESSES, MATERIALS, FINISHES, ETC. AS LISTED IN THE SPECIFICATIONS.

LOCATION UNDERGROUND STRUCTURES	APPROVED	B.M. ELEV.	BM ELEV.	DESIGNED BY	SR/JW
ORIGINAL SIGNED BY	X			DRAWN BY	JW/TM
SUPV. U/G STRUCTURES COMMITTEE	DATE			CHECKED BY	JW/SR
NOTE:				APPROVED BY	-
LOCATION OF UNDERGROUND STRUCTURES AS SHOWN ARE BASED ON THE BEST INFORMATION AVAILABLE. BUT NO GUARANTEE IS GIVEN THAT ALL EXISTING UTILITIES ARE SHOWN OR THAT THE GIVEN LOCATIONS ARE EXACT. CONFIRMATION OF EXISTENCE AND EXACT LOCATION OF ALL SERVICES MUST BE OBTAINED FROM THE INDIVIDUAL UTILITIES BEFORE PROCEEDING WITH CONSTRUCTION.				HOR. SCALE	AS NOTED
				VERTICAL	
1	ISSUED FOR TENDER	10/05/14	JW	DATE	2010-05-07
NO.	REVISIONS	DATE	BY		



THE CITY OF WINNIPEG
TRANSIT DEPARTMENT

Winnipeg

SOUTHWEST RAPID TRANSIT CORRIDOR - STAGE 1
OSBORNE STATION & ASSOCIATED WORKS

LANDSCAPE ARCHITECT'S SEAL

LANDSCAPE DETAILS

CITY DRAWING NUMBER: B237-10-119
SHEET 119 OF 121
CONSULTANT DRAWING NUMBER: C5-L-5008-T

CONSULTANT PROJECT NO.: 08-028

X:\08-028 Southwestern BRT Corridor\dwg\2010\osborne station\wkg\dwg\DETAIL SHEET 2010-04-22.dwg