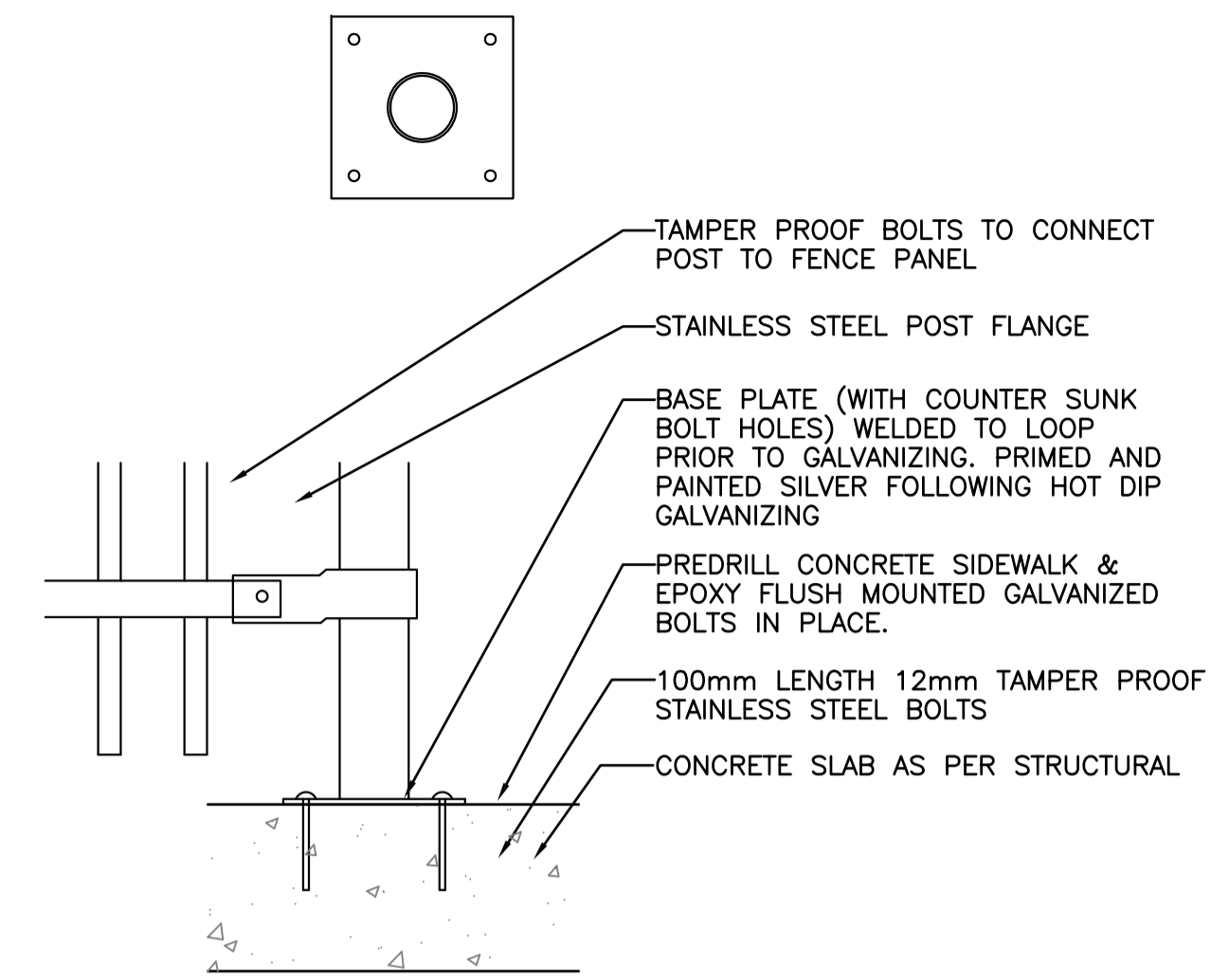
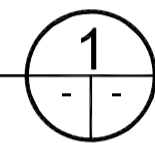
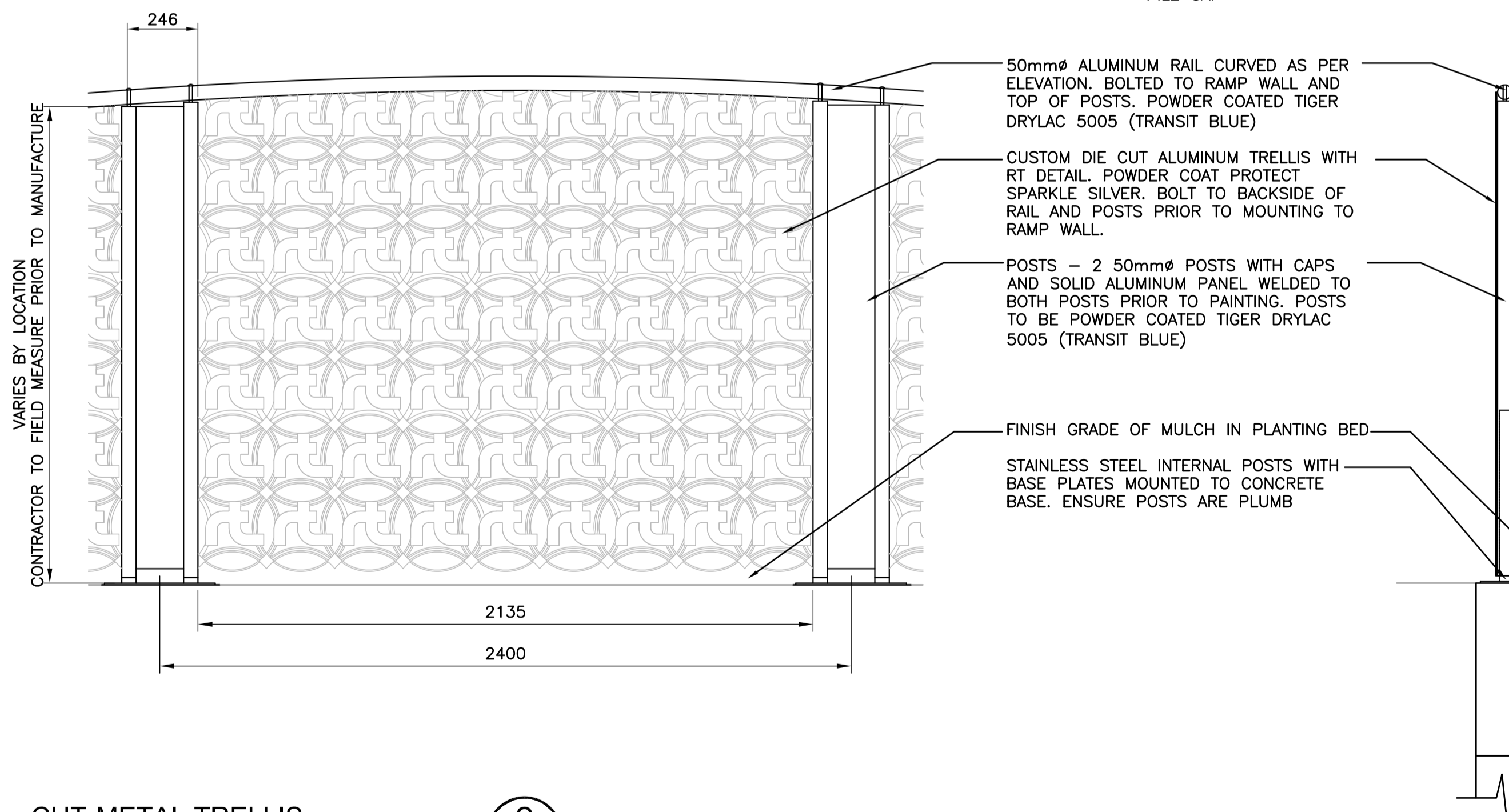
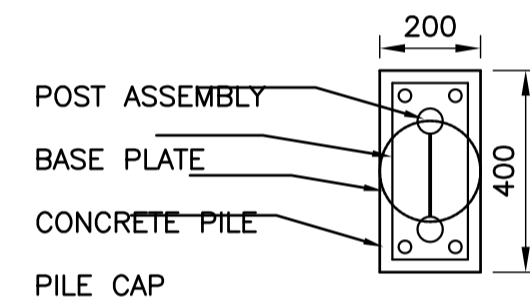
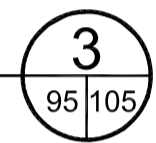


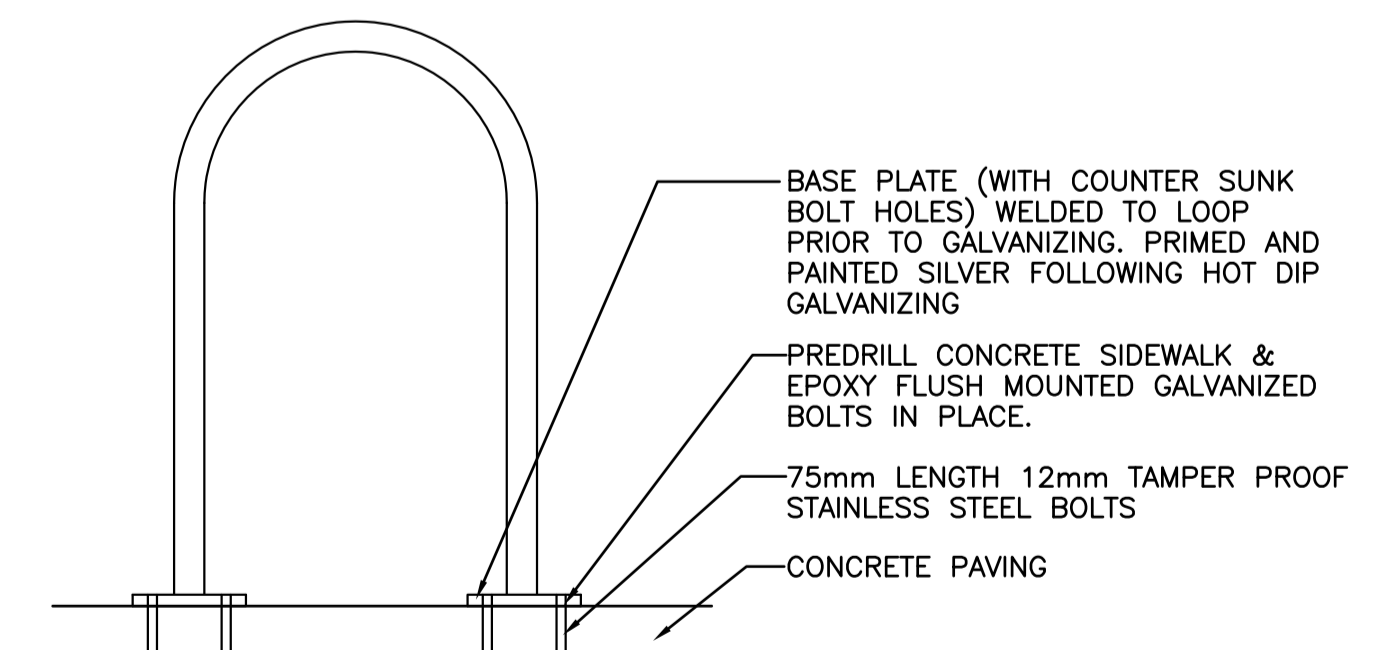
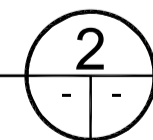
HANDRAIL ON WALL
N.T.S.



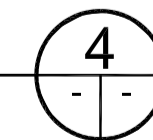
ALUMINUM FENCE BOLTED TO CONCRETE
N.T.S.



CUT-METAL TRELLIS
N.T.S.



BICYCLE LOOP INSTALLATION
N.T.S.



NOT FOR CONSTRUCTION

ALL DIMENSIONS PROVIDED FOR INFORMATION ON DESIGN INTENT.

CONTRACTOR TO SUPPLY SHOP DRAWINGS STAMPED BY A STRUCTURAL ENGINEER LICENSED TO PRACTICE IN THE PROVINCE OF MANITOBA WITH EXTENSIVE EXPERIENCE IN THE DESIGN & MANUFACTURING OF ALL RAILINGS, TRELLIS AND STRUCTURES. SHOP DRAWINGS TO INCLUDE WALL THICKNESSES, MATERIALS, FINISHES, ETC. AS LISTED IN THE SPECIFICATIONS.

LOCATION UNDERGROUND STRUCTURES ORIGINAL SIGNED BY X SUPV. U/G STRUCTURES COMMITTEE DATE	APPROVED STRUCTURES X DATE	B.M. ELEV. B.M. ELEV.	DESIGNED BY SR/JW DRAWN BY JW/TM CHECKED BY JW/SR APPROVED BY - HOR. SCALE AS NOTED VERTICAL DATE 2010-05-07	 RELEASED FOR CONSTRUCTION ORIGINAL SIGNED BY RANDY FINGAS DATE: 2010/05/14	LANDSCAPE ARCHITECT'S SEAL ORIGINAL SIGNED BY JACKIE WILKIE JACQUELINE L. WILKIE member no. 75 CONSULTANT PROJECT NO. 08-028	 THE CITY OF WINNIPEG TRANSIT DEPARTMENT SOUTHWEST RAPID TRANSIT CORRIDOR - STAGE 1 OSBORNE STATION & ASSOCIATED WORKS LANDSCAPE DETAILS	CITY DRAWING NUMBER B237-10-120 SHEET 120 OF 121 CONSULTANT DRAWING NUMBER C5-L-5009-T
--	----------------------------------	--------------------------	--	--	---	--	--