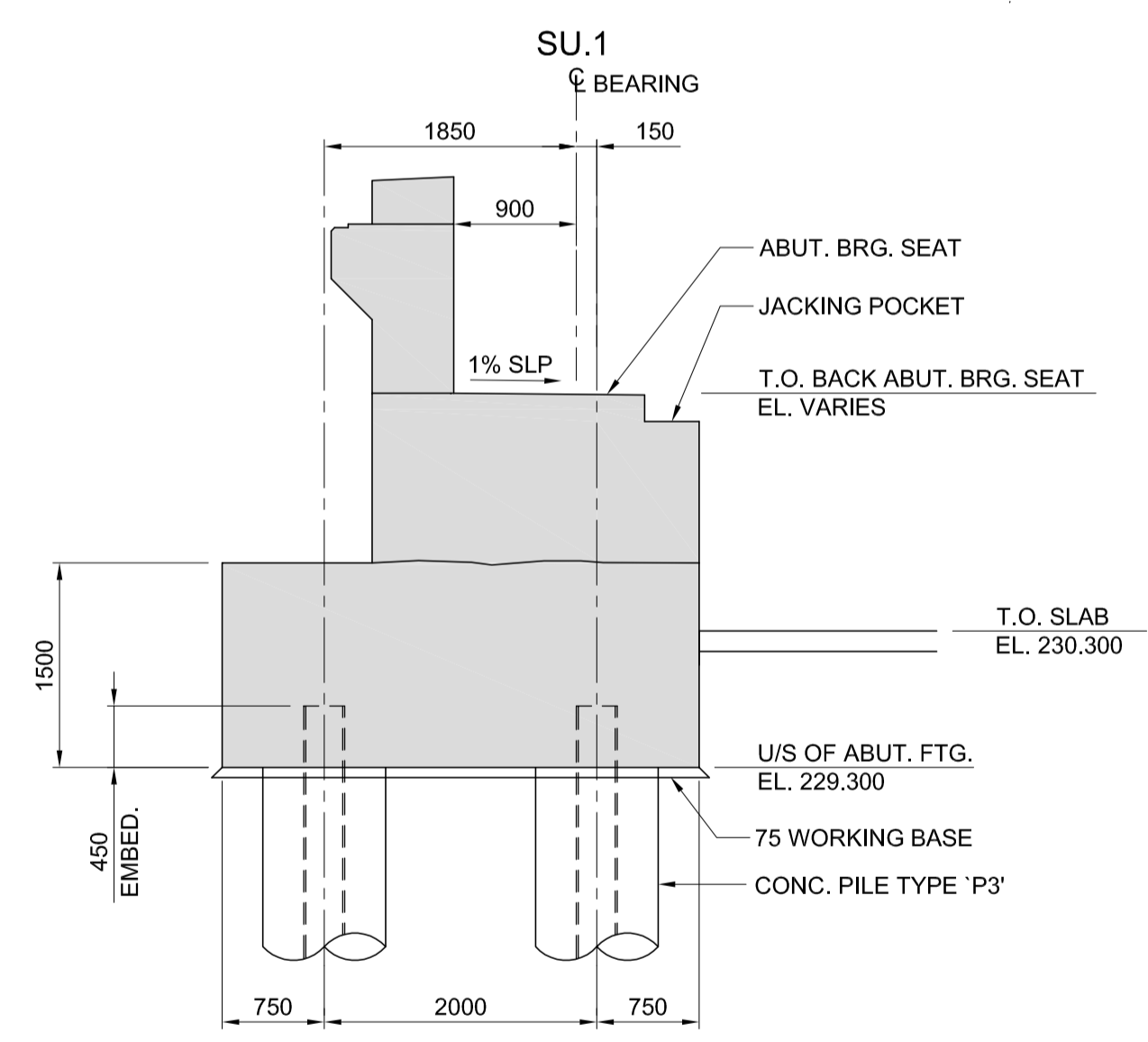
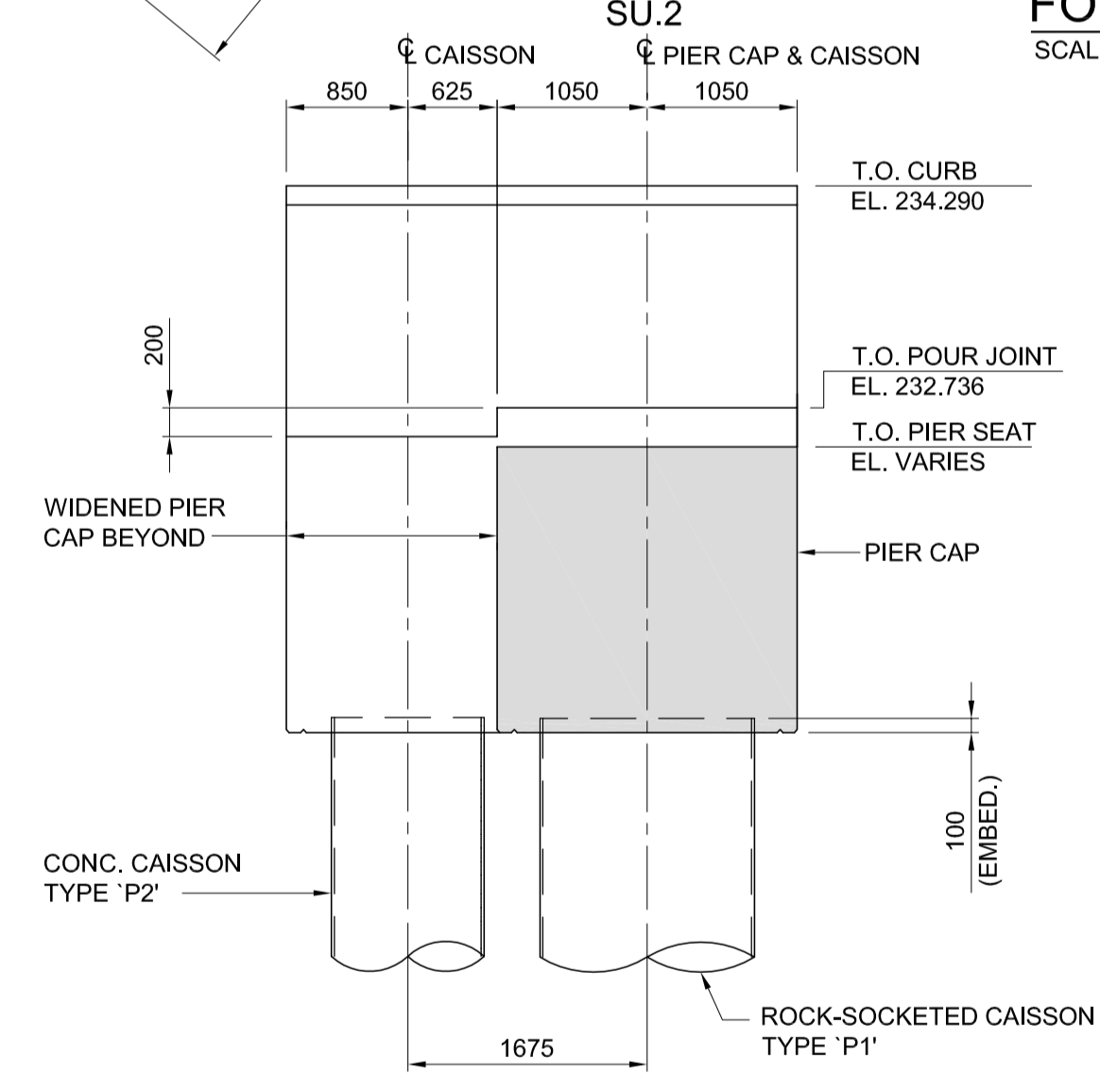


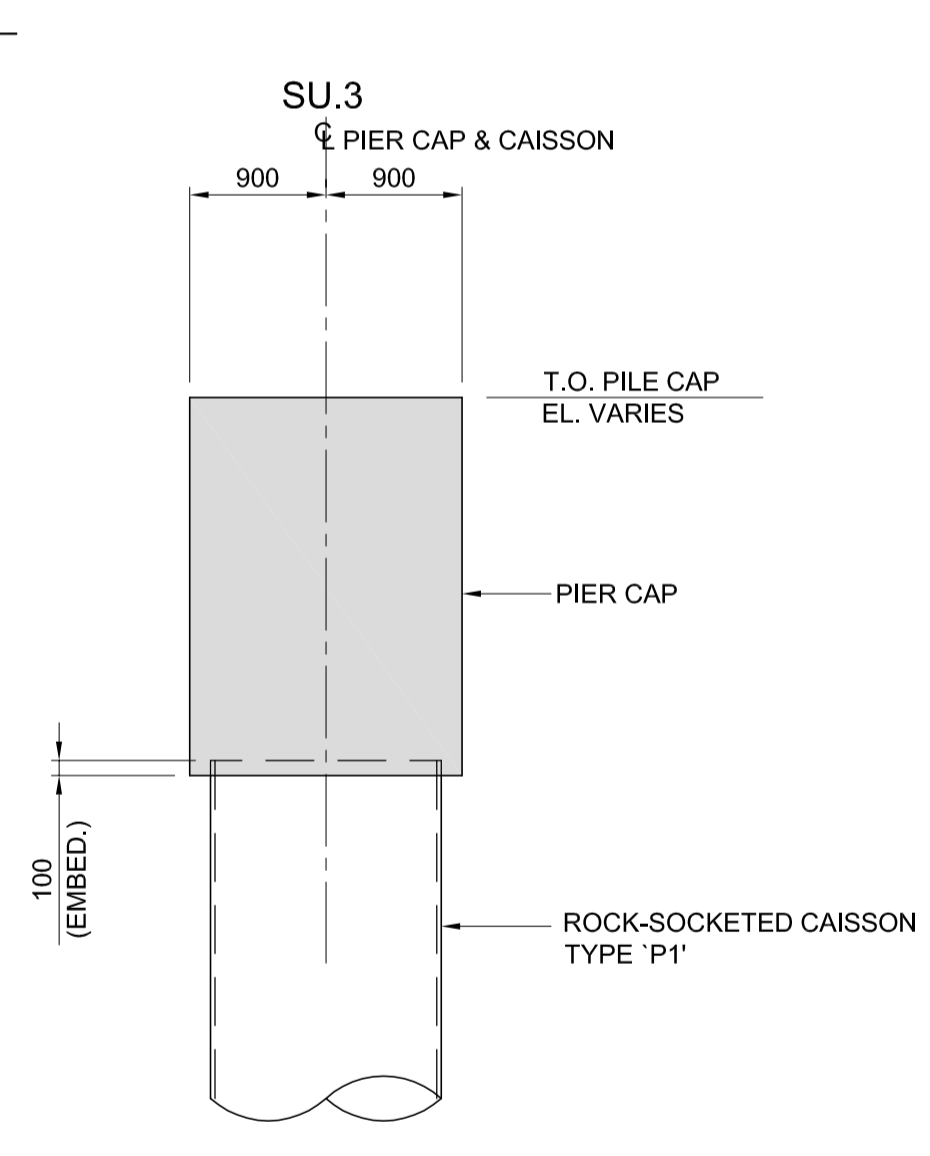
FOUNDATION LAYOUT
SCALE 1:100



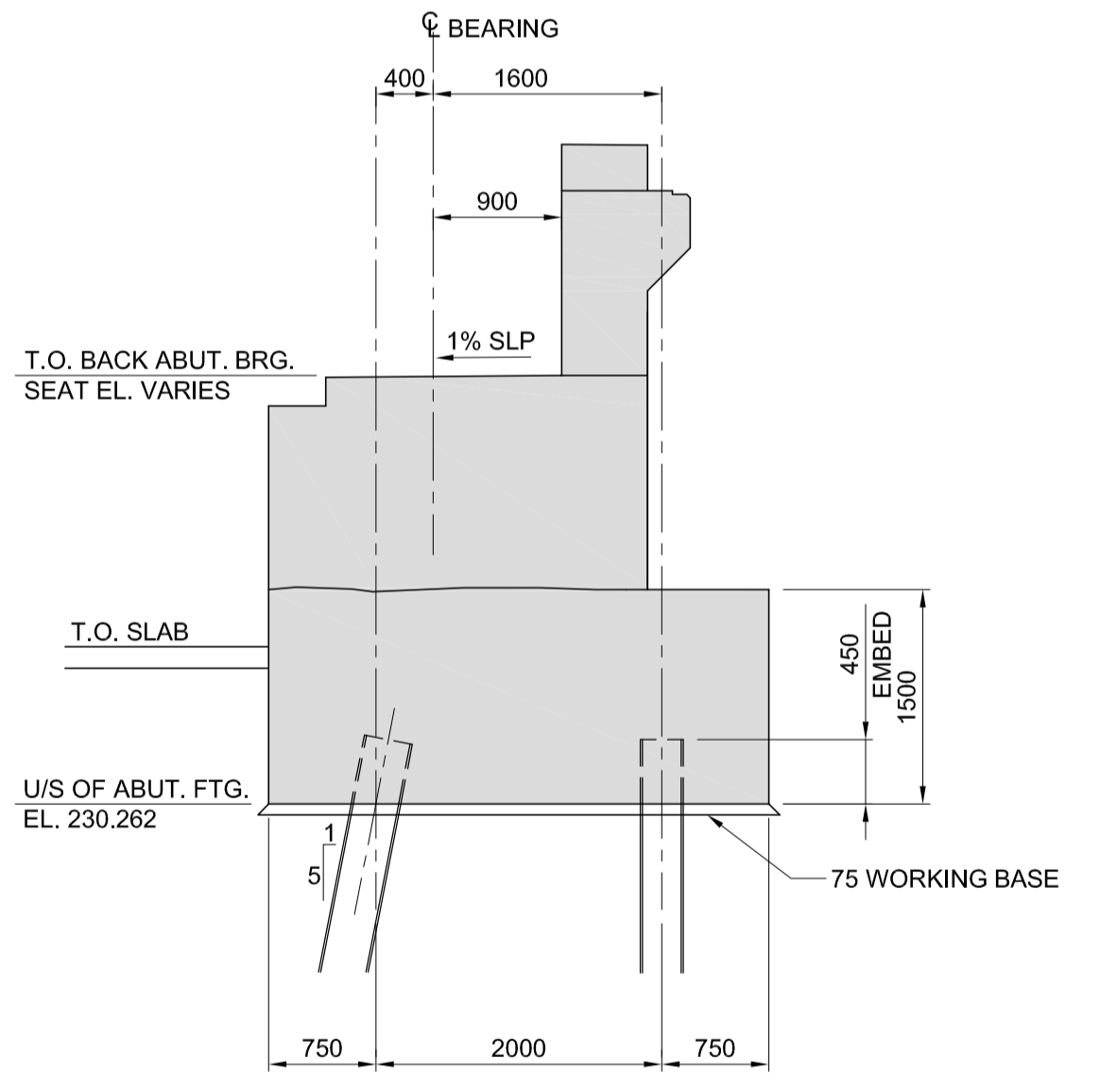
SECTION A
SCALE 1:50



SECTION B
SCALE 1:50



SECTION C
SCALE 1:50



SECTION D
SCALE 1:50

NOTE: - CONC. PILE 'P4' NOT SHOWN FOR CLARITY

TOP OF STEEL PIPE CASING CUT-OFF			
PIER SU.2		PIER SU.3	
CAISSON No.	ELEVATION	CAISSON No.	ELEVATION
1	230.712	1	230.830
2	230.577	2	230.746
3	230.425	3	230.647
4	230.578	4	230.747
5	230.716	5	230.832
6	230.743		
7	230.632		
8	230.646		
9	230.741		

CONCRETE CAISSON & PILE SCHEDULE				
TYPE	DESCRIPTION	TIP ELEV.	LOC'N	No.REQ'D
P1	1524Ø ROCK-SOCKETED CAISSON	-	SU.2	5
P1	1524Ø ROCK-SOCKETED CAISSON	-	SU.3	5
P2	1067Ø ROCK-SOCKETED CAISSON	-	SU.2	4
P3	915Ø CONC. PILE C/W HP310x110 STEEL PILE	-	SU.1	16
P4	762Ø CONC. PILE	-	SU.2	16
P5	915Ø CONC. PILE	-	SU.2	4
P6	1067Ø ROCK-SOCKETED CAISSON	-	BLDG.	2



LOCATION UNDERGROUND	APPROVED STRUCTURES	B.M. ELEV.
SUPV. U/G STRUCTURES COMMITTEE	DATE	
NOTE: LOCATION OF UNDERGROUND STRUCTURES AS SHOWN ARE BASED ON THE BEST INFORMATION AVAILABLE BUT NO GUARANTEE IS GIVEN THAT ALL EXISTING UTILITIES ARE SHOWN OR THAT THE GIVEN LOCATIONS ARE EXACT. CONFIRMATION OF EXISTENCE AND EXACT LOCATION OF ALL SERVICES MUST BE OBTAINED FROM THE INDIVIDUAL UTILITIES BEFORE PROCEEDING WITH CONSTRUCTION.		
1	ISSUED FOR TENDER	10/05/14
NO.	REVISIONS	DATE BY

DESIGNED BY	FAK
DRAWN BY	NBG
CHECKED BY	SSR
APPROVED BY	DPK
HOR. SCALE	AS NOTED
VERTICAL	
1	ISSUED FOR TENDER
NO.	REVISIONS

RELEASED FOR CONSTRUCTION
ORIGINAL SIGNED BY RANDY FINGAS
DATE 2010/05/14

ENGINEER'S SEAL
PROVINCE OF MANITOBA
ORIGINAL STAMPED BY
S.S. RIHAL
2010/05/14
REGISTERED PROFESSIONAL ENGINEER

THE CITY OF WINNIPEG
TRANSIT DEPARTMENT

SOUTHWEST RAPID TRANSIT CORRIDOR - STAGE 1
OSBORNE STATION & ASSOCIATED WORKS

BRIDGE FOUNDATION LAYOUT

CITY DRAWING NUMBER: B237-10- 15
SHEET 15 OF 121
CONSULTANT DRAWING NUMBER: C5-S1100-T

CONSULTANT PROJECT NO. 088813