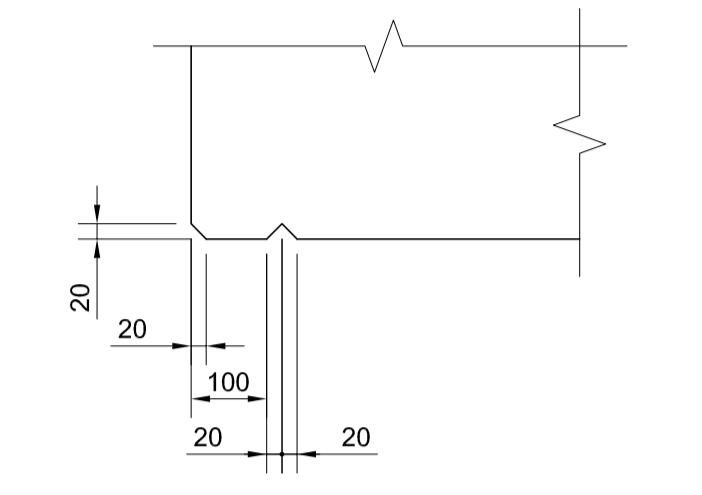
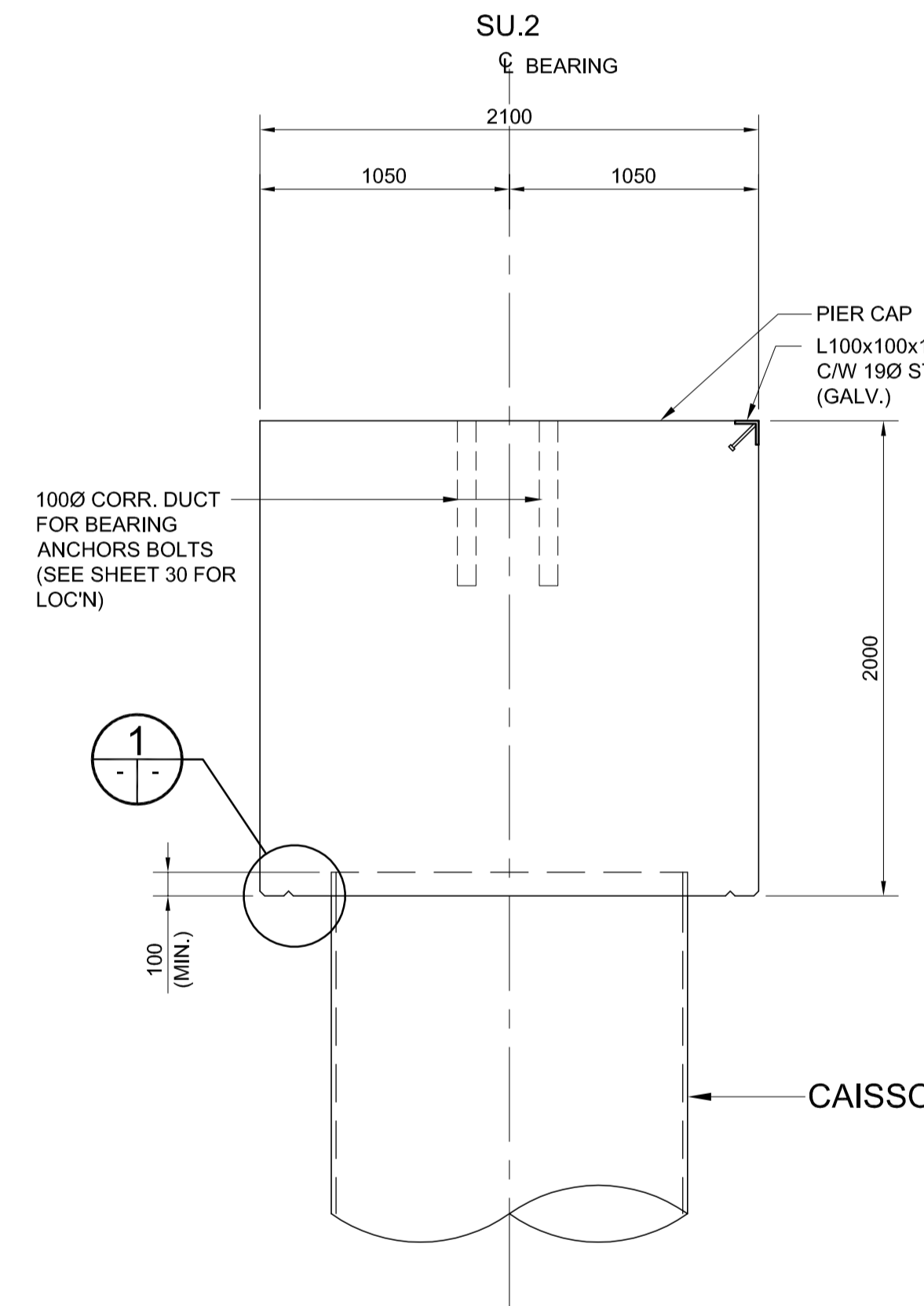


TABLE OF ELEVATIONS							
ABUT.	A	B	C	D	E	F	G
SU-1	232.549	232.508	232.548	232.427	232.547	232.552	232.832

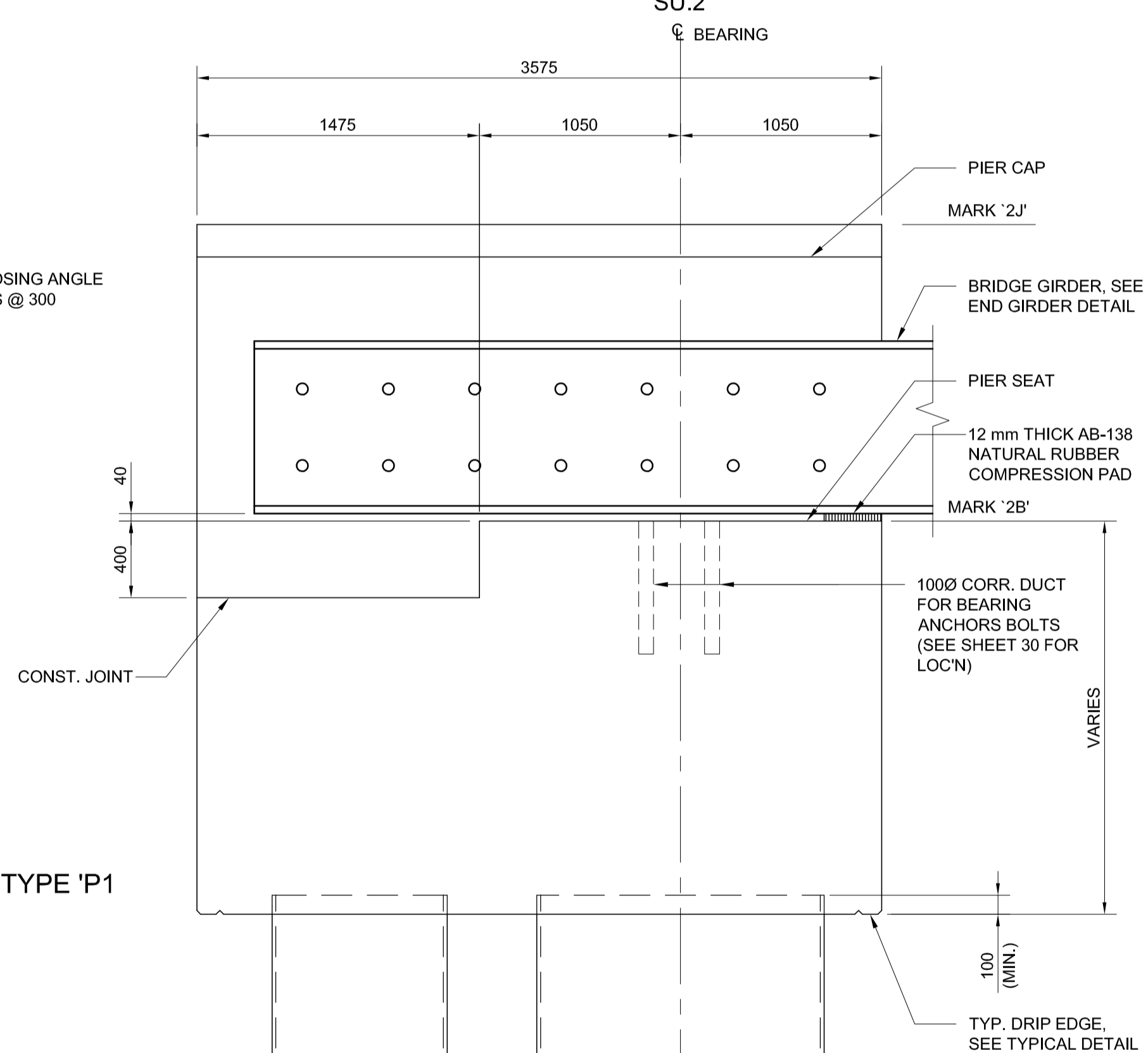


DRIP EDGE DETAIL
SCALE 1:10

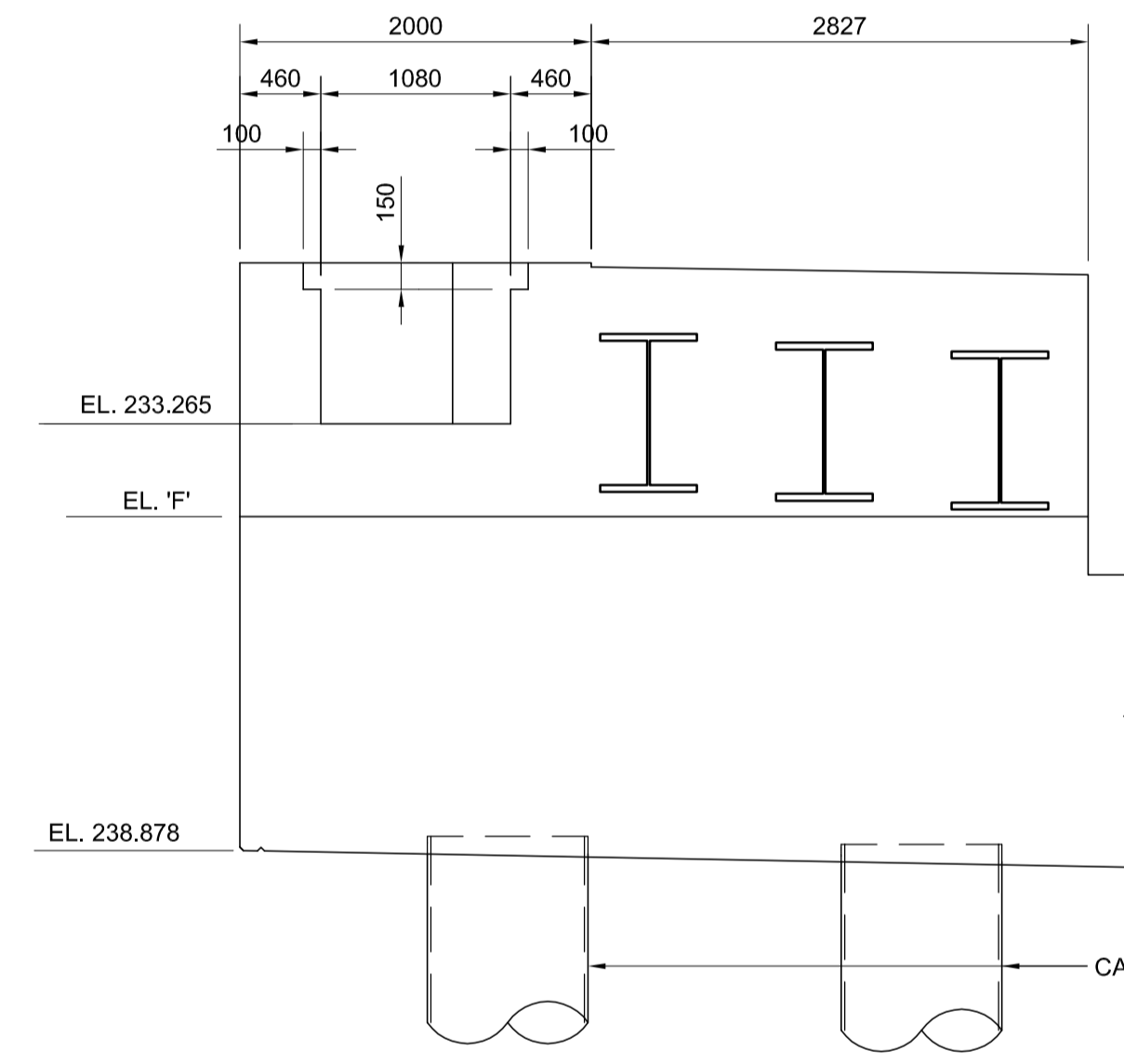
ELEVATION
SCALE 1:50



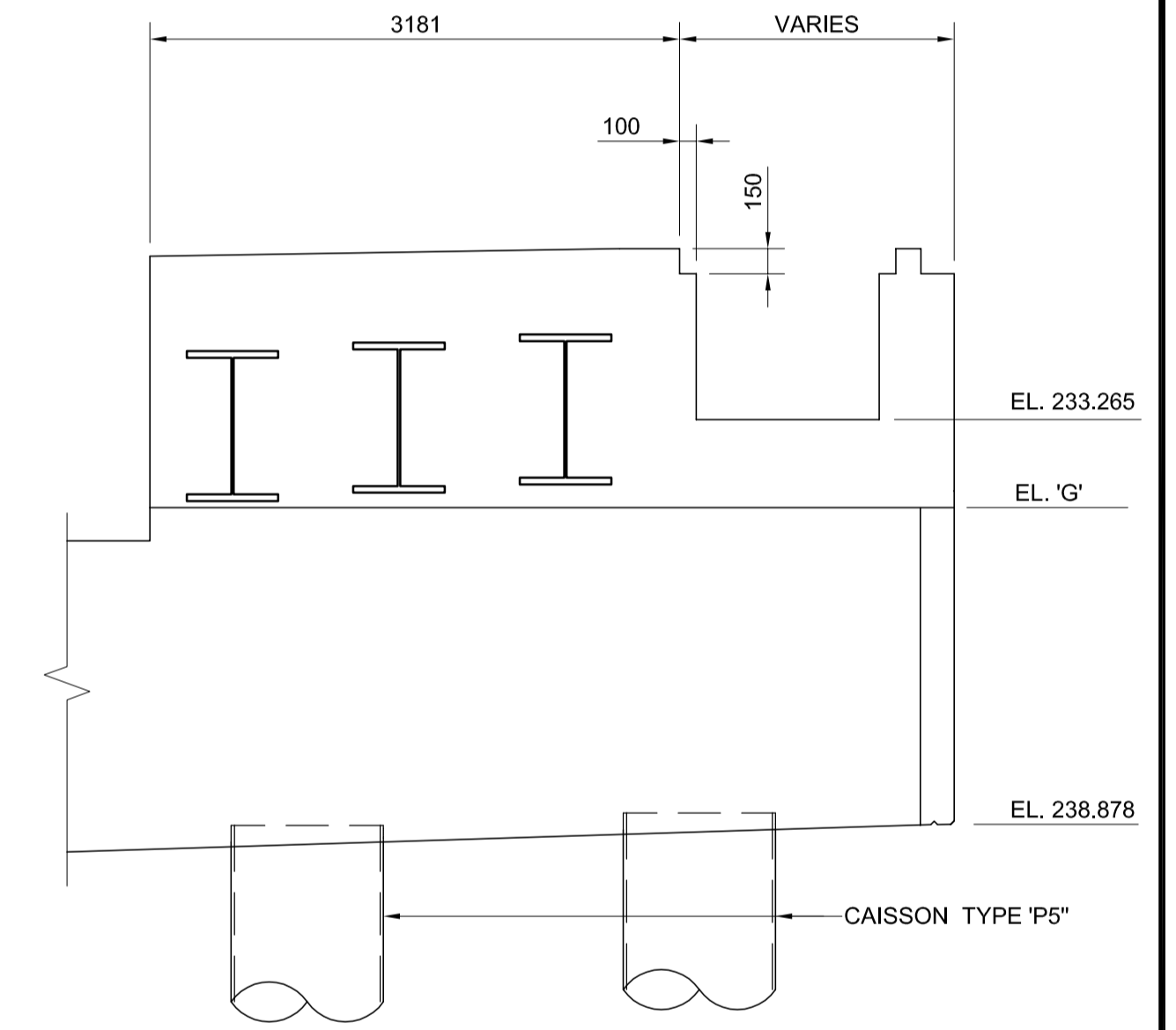
SECTION A
SCALE 1:25



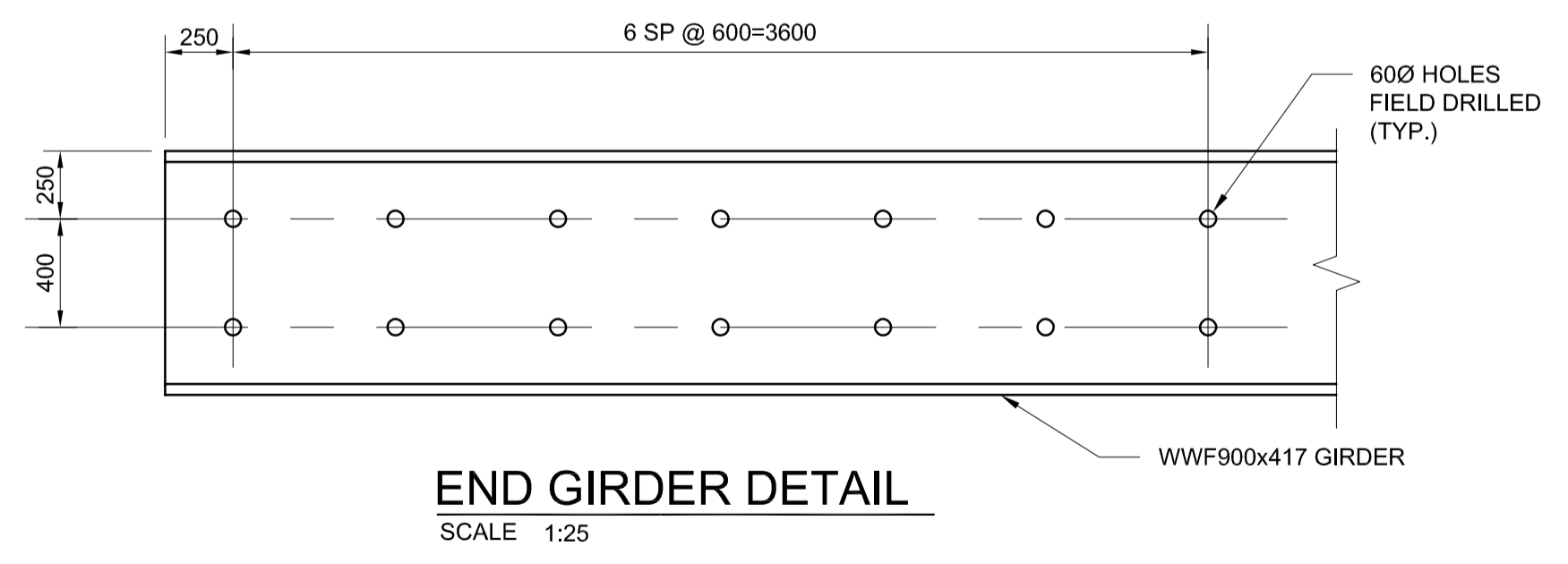
SECTION B
SCALE 1:25



SECTION C
SCALE 1:40



SECTION D
SCALE 1:40



END GIRDER DETAIL
SCALE 1:25

NOTE:
1. ALL EXPOSED EDGES TO BE 20mm CHAMFER UNLESS NOTED OTHERWISE.



LOCATION UNDERGROUND	APPROVED STRUCTURES	SUPY. U/G STRUCTURES COMMITTEE	DATE

DESIGNED BY	FAK
DRAWN BY	NBG
CHECKED BY	SSR
APPROVED BY	DPK
HOR. SCALE	AS NOTED
VERTICAL	

ISSUED FOR TENDER	10/05/14	SSR
NO. REVISIONS	DATE	BY

DILLON CONSULTING

RELEASED FOR CONSTRUCTION
ORIGINAL SIGNED BY RANDY FINGAS
DATE 2010/05/14

ENGINEER'S SEAL
PROVINCE OF MANITOBA
ORIGINAL STAMPED BY
S.S. RIHAL
2010/05/14
REGISTERED PROFESSIONAL ENGINEER

THE CITY OF WINNIPEG
TRANSIT DEPARTMENT

SOUTHWEST RAPID TRANSIT CORRIDOR - STAGE 1
OSBORNE STATION & ASSOCIATED WORKS

Pier SU-2 CONCRETE 2 OF 2

CITY DRAWING NUMBER: B237-10-20
SHEET 20 OF 121
CONSULTANT DRAWING NUMBER: C5-S1105-T