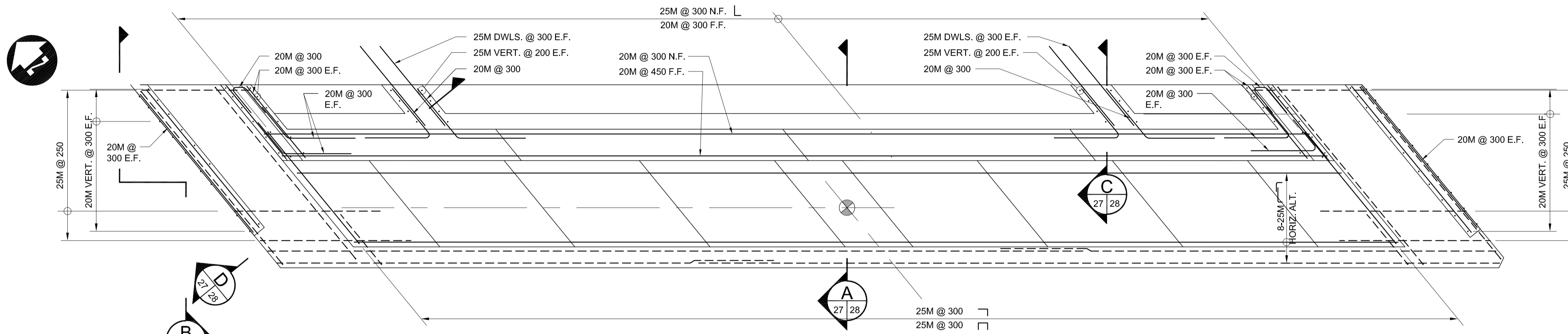
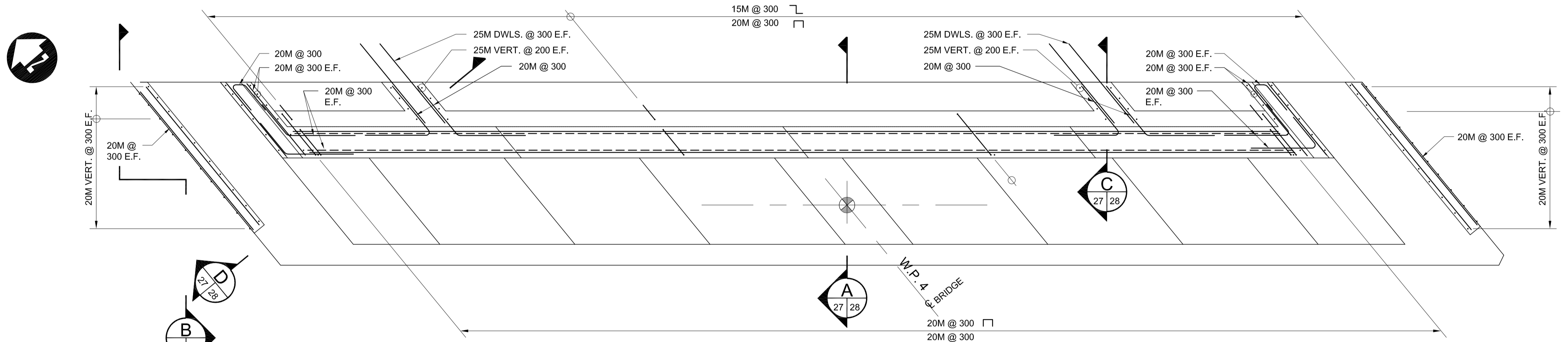


ABUTMENT FOOTING PLAN
SCALE 1:50



ABUTMENT SEAT PLAN
SCALE 1:50



ABUTMENT BACKWALL PLAN
SCALE 1:50



LOCATION UNDERGROUND	APPROVED STRUCTURES	SUPY. U/G STRUCTURES COMMITTEE	DATE

NOTE:
LOCATION OF UNDERGROUND STRUCTURES AS SHOWN ARE BASED ON THE BEST INFORMATION AVAILABLE BUT NO GUARANTEE IS GIVEN THAT ALL EXISTING UTILITIES ARE SHOWN OR THAT THE GIVEN LOCATIONS ARE EXACT. CONFIRMATION OF EXISTENCE AND EXACT LOCATION OF ALL SERVICES MUST BE OBTAINED FROM THE INDIVIDUAL UTILITIES BEFORE PROCEEDING WITH CONSTRUCTION.

NO.	ISSUED FOR TENDER	10/05/14	SSR	DATE	BY
1	ISSUED FOR TENDER	10/05/14	SSR		

DESIGNED BY	FAK
DRAWN BY	NBG
CHECKED BY	SSR
APPROVED BY	DPK
HOR. SCALE	
VERTICAL	
DATE	2010/05/14

RELEASED FOR CONSTRUCTION
ORIGINAL SIGNED BY RANDY FINGAS
DATE 2010/05/14

CONSULTANT PROJECT NO. 088813

THE CITY OF WINNIPEG
TRANSIT DEPARTMENT

Winnipeg

SOUTHWEST RAPID TRANSIT CORRIDOR - STAGE 1
OSBORNE STATION & ASSOCIATED WORKS

EAST ABUTMENT SU-4
REINFORCEMENT 1 OF 2

CITY DRAWING NUMBER B237-10- 27
SHEET OF 27 121
CONSULTANT DRAWING NUMBER C5-S1112-T