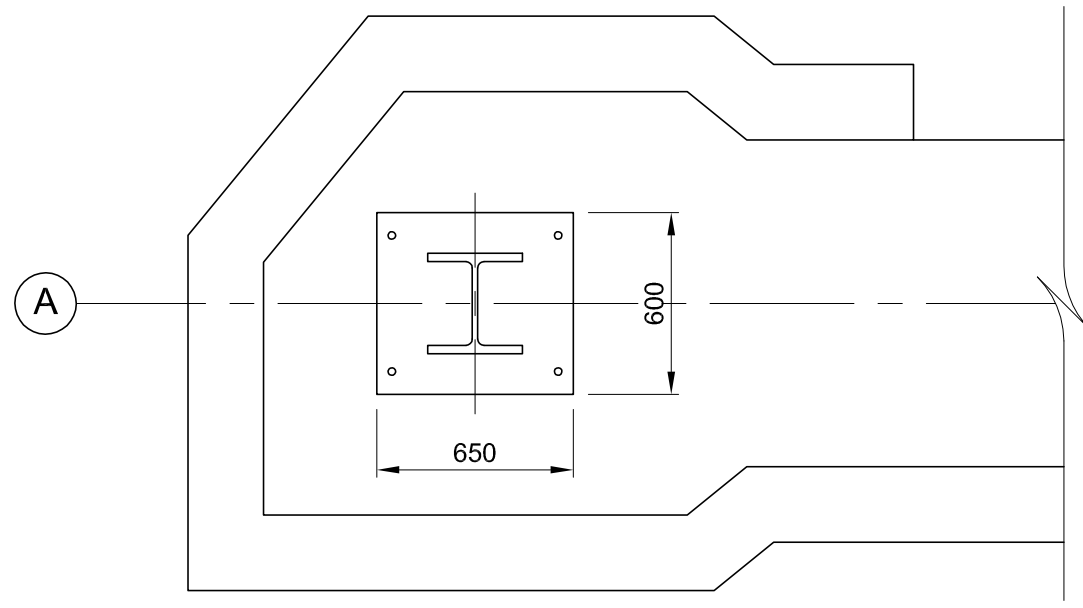
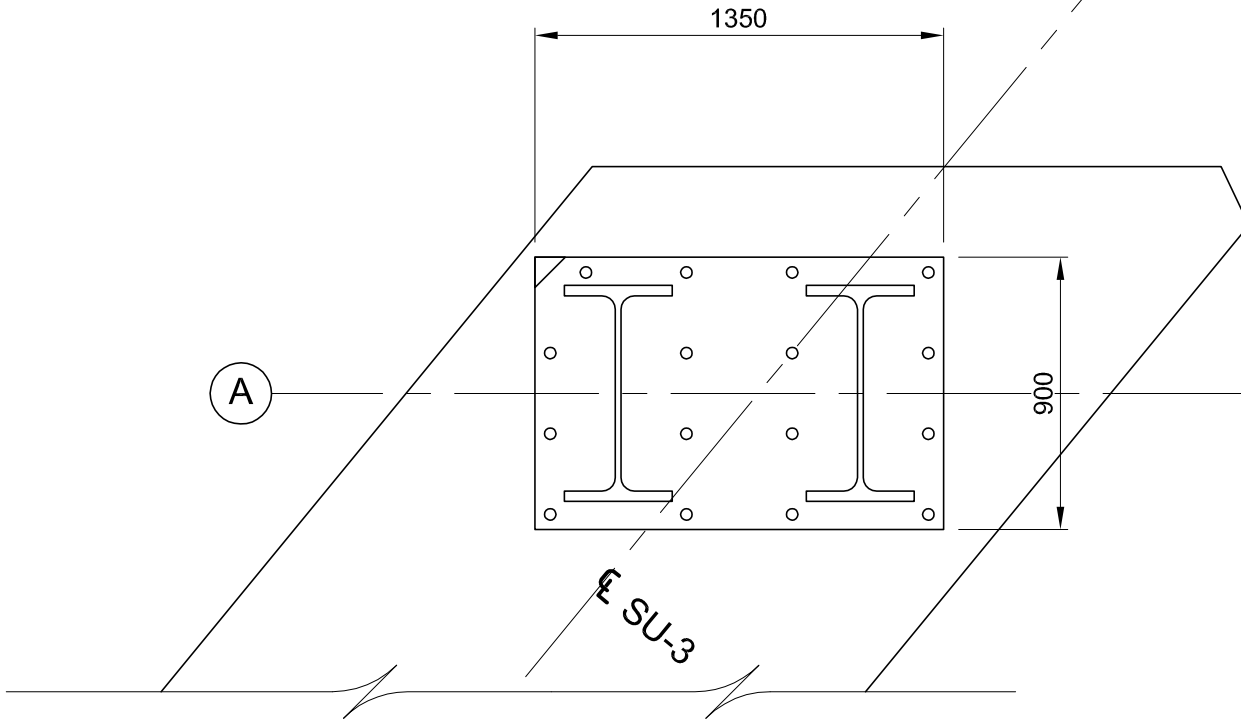


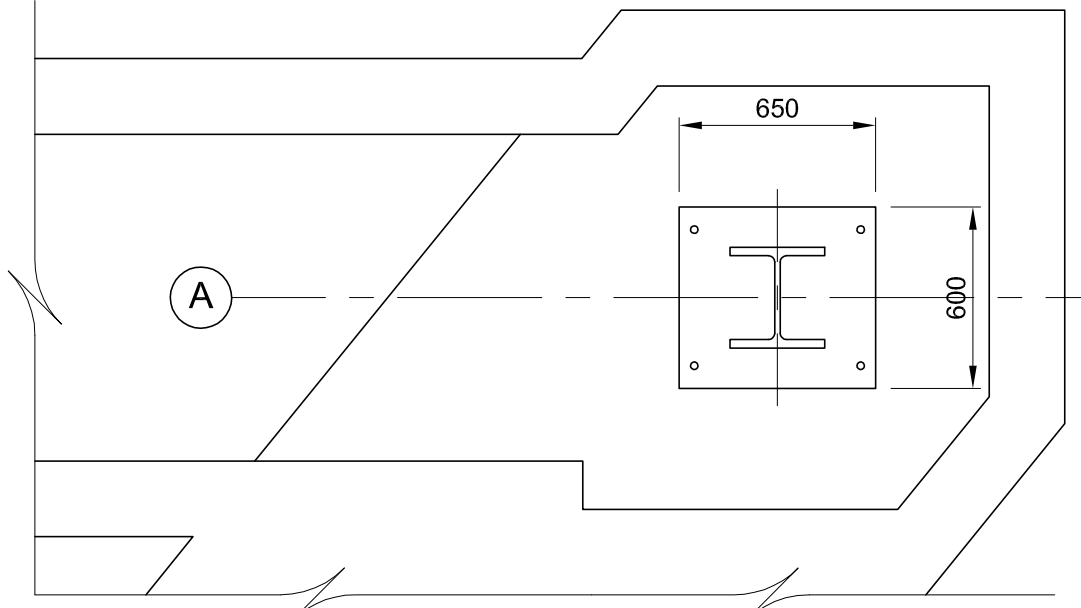
**FOUNDATION LAYOUT**  
SCALE 1:150



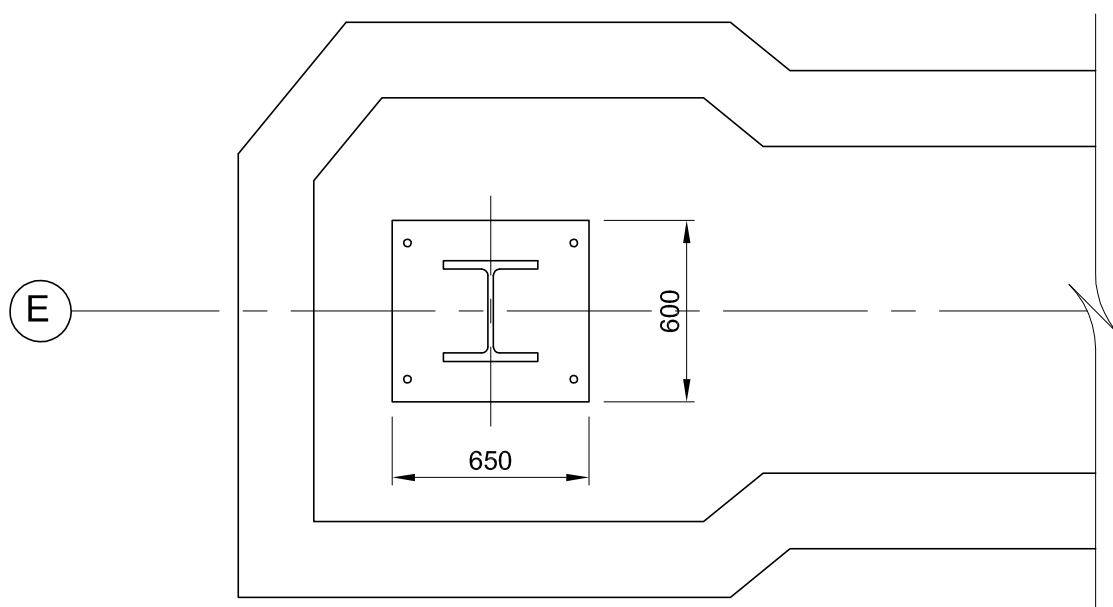
**DETAIL 1**  
SCALE 1:25



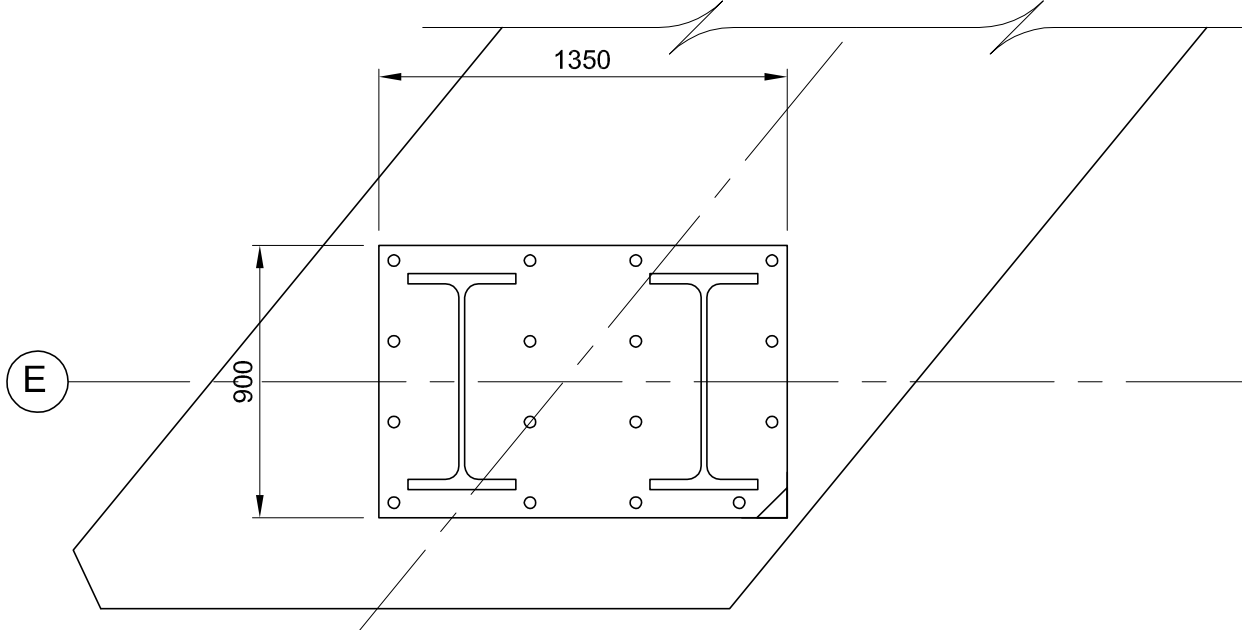
**DETAIL 3**  
SCALE 1:25



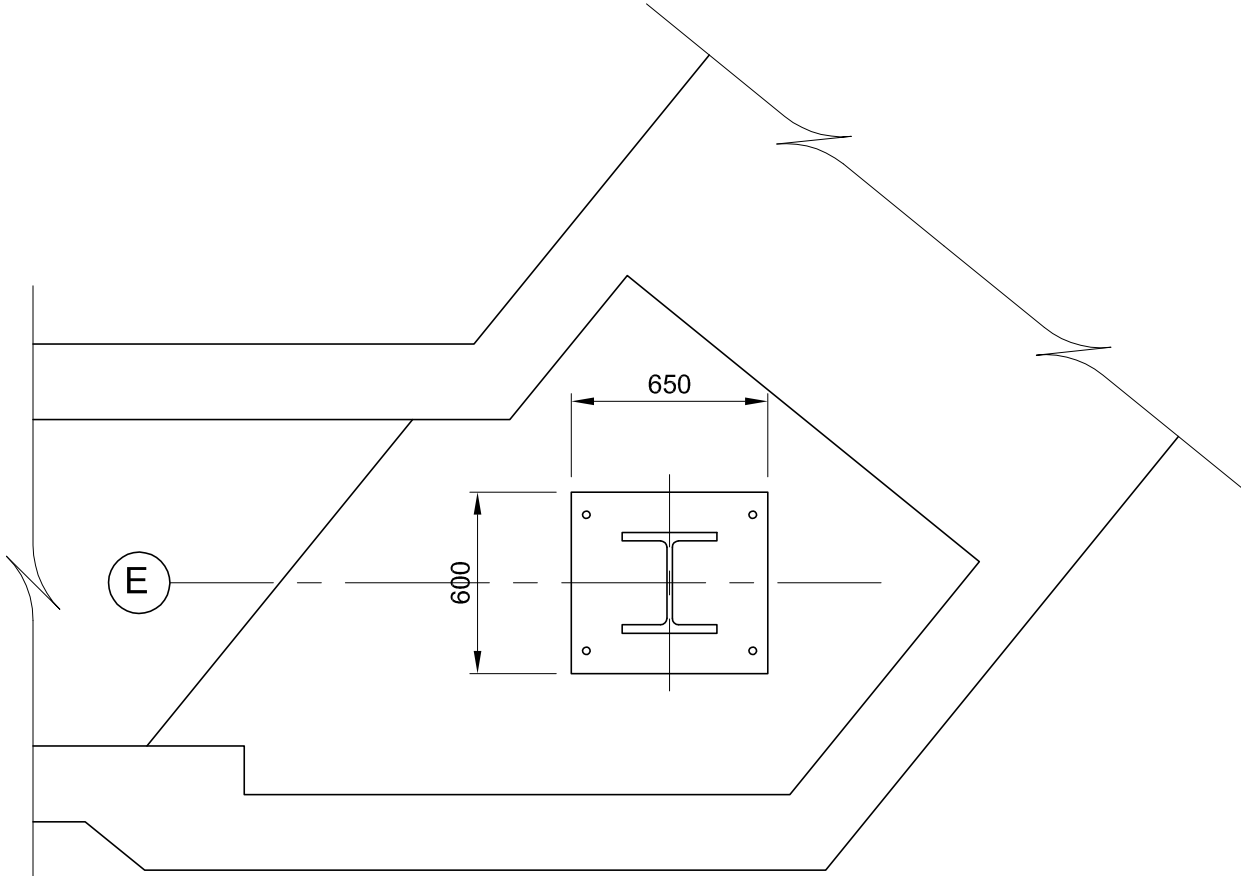
**DETAIL 5**  
SCALE 1:25



**DETAIL 2**  
SCALE 1:25



**DETAIL 4**  
SCALE 1:25



**DETAIL 6**  
SCALE 1:25

**NOTE:**  
FOR ANCHOR BOLT SPACING SEE SHEE NO. 84.



LOCATION UNDERGROUND STRUCTURES SUPV. U/G STRUCTURES COMMITTEE DATE	APPROVED DATE	B.M. ELEV. 654265 (633392.694, 5525026.192) 232.518	DESIGNED BY FAK DRAWN BY NBG CHECKED BY SSR APPROVED BY DPK		ENGINEER'S SEAL PROVINCE OF MANITOBA ORIGINAL STAMPED BY S.S. RIHAL 2010/05/14 REGISTERED PROFESSIONAL ENGINEER		SOUTHWEST RAPID TRANSIT CORRIDOR - STAGE 1 OSBORNE STATION & ASSOCIATED WORKS	CITY DRAWING NUMBER B237-10-29 SHEET 29 OF 121 CONSULTANT DRAWING NUMBER C5-S1114-T
NOTE: LOCATION OF UNDERGROUND STRUCTURES AS SHOWN ARE BASED ON THE BEST INFORMATION AVAILABLE BUT NO GUARANTEE IS GIVEN THAT ALL EXISTING UTILITIES ARE SHOWN OR THAT THE GIVEN LOCATIONS ARE EXACT. CONFIRMATION OF EXISTENCE AND EXACT LOCATION OF ALL SERVICES MUST BE OBTAINED FROM THE INDIVIDUAL UTILITIES BEFORE PROCEEDING WITH CONSTRUCTION.			HOR. SCALE VERTICAL DATE 2010/05/14	RELEASED FOR CONSTRUCTION ORIGINAL SIGNED BY RANDY FINGAS DATE 2010/05/14	CONSULTANT PROJECT NO. 088813	<b>BUILDING FOUNDATION LAYOUT</b>		
1 ISSUED FOR TENDER 10/05/14 DPK			NO. REVISIONS DATE BY					

G:\CAD\088813\Contract\Contract 5- Osborne Station\Current\Bridges\C5-S1114-EAST- PLAZA DETAILS 2.dwg