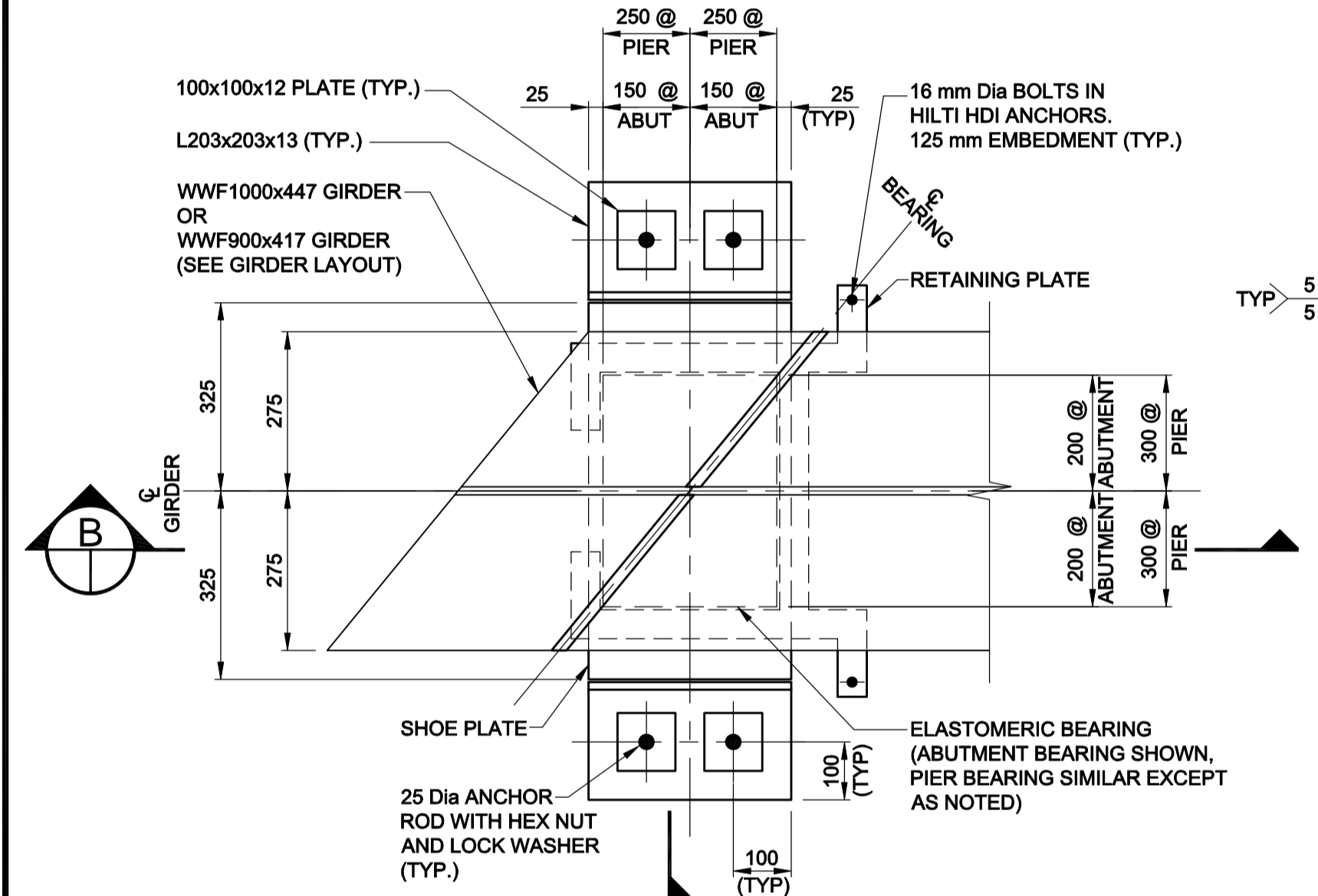
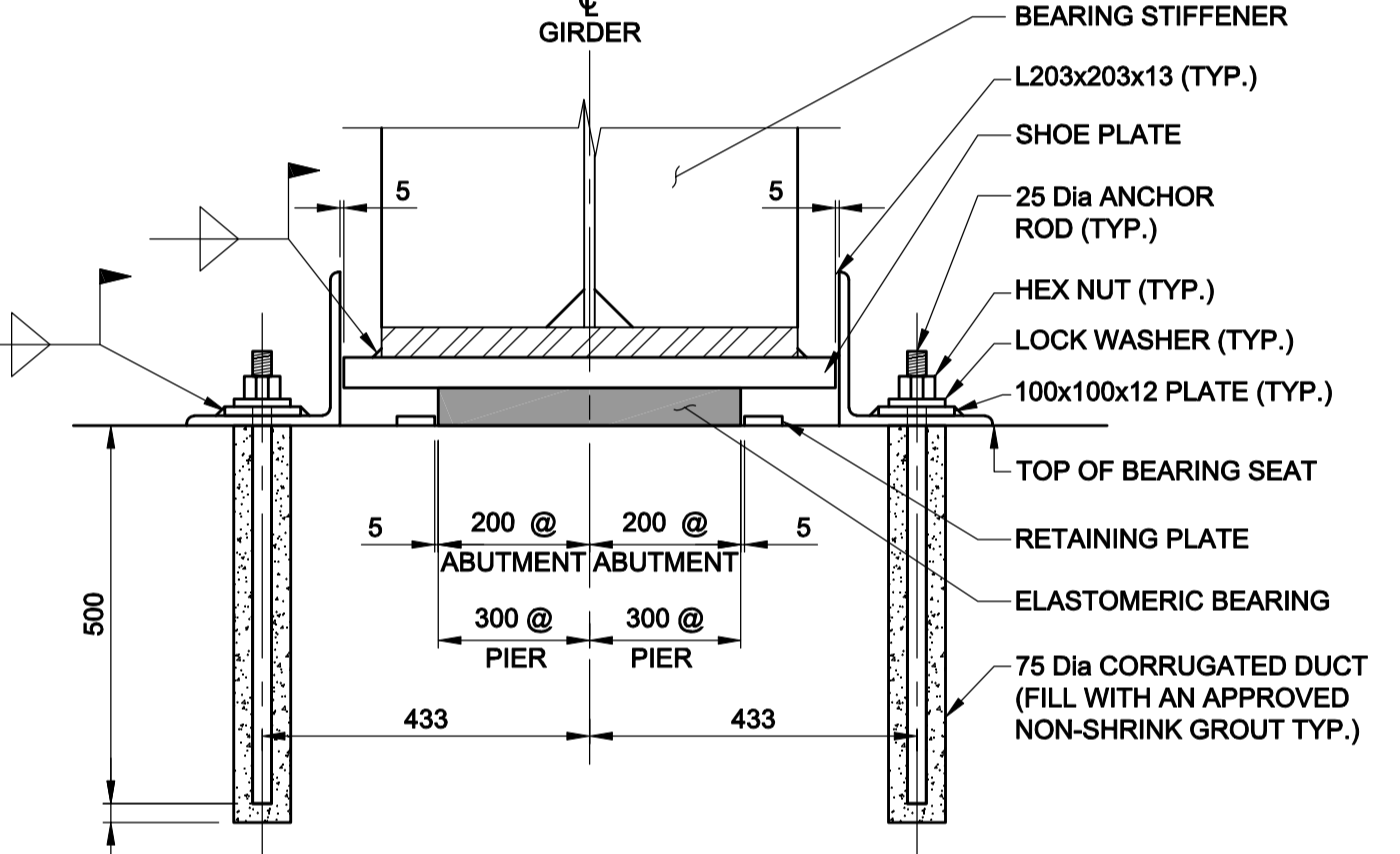


PLAN
SCALE 1:125

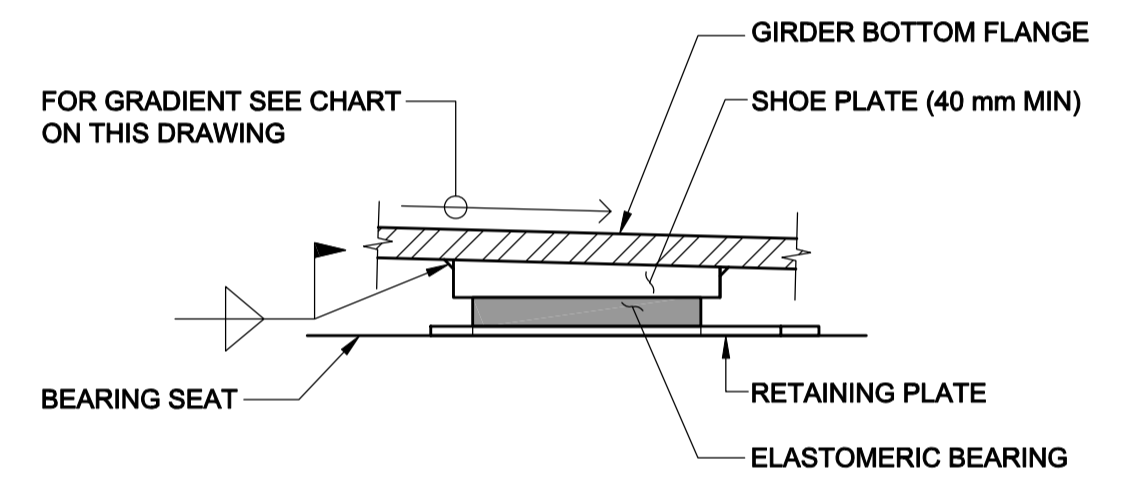
- NOTES:**
- ALL ANCHOR RODS SHALL BE GRADE 300WT
 - ALL STEEL COMPONENTS INCLUDING ANCHOR BOLTS, NUTS, PLATES ETC. SHALL BE HOT-DIP GALVANIZED.
 - FOR STRUCTURAL STEEL NOTES, REFER TO SHEET # 31



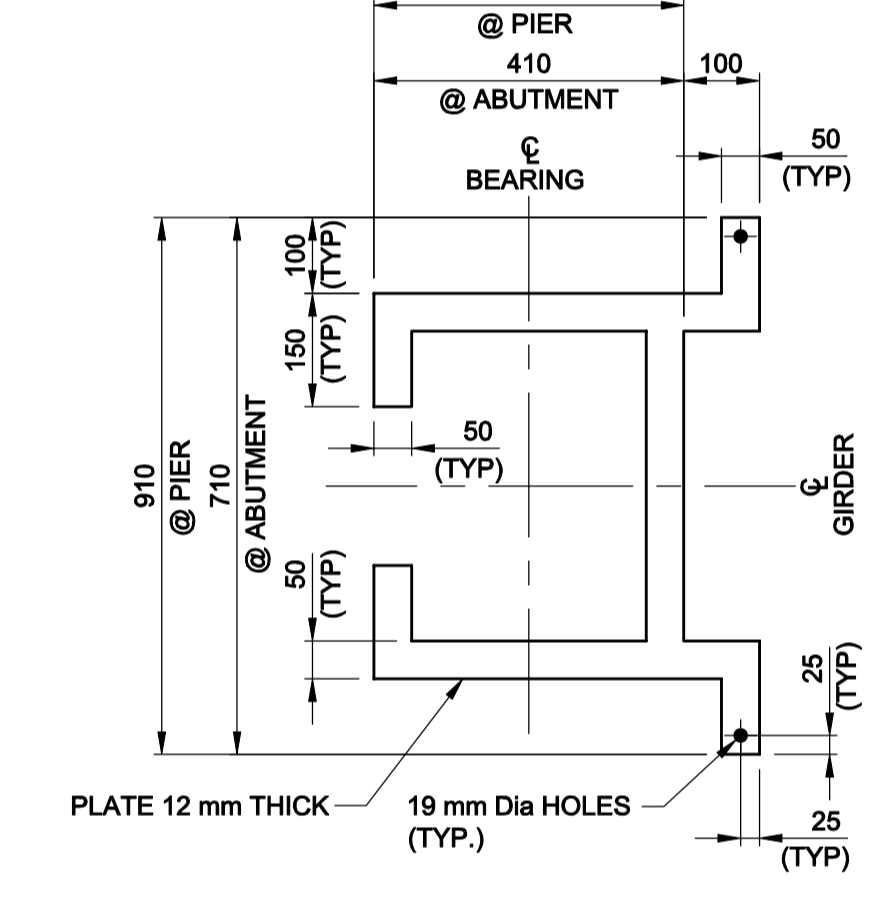
DETAIL
SCALE 1:10 (TYPICAL EXPANSION BEARING PLAN)



SECTION
SCALE 1:10



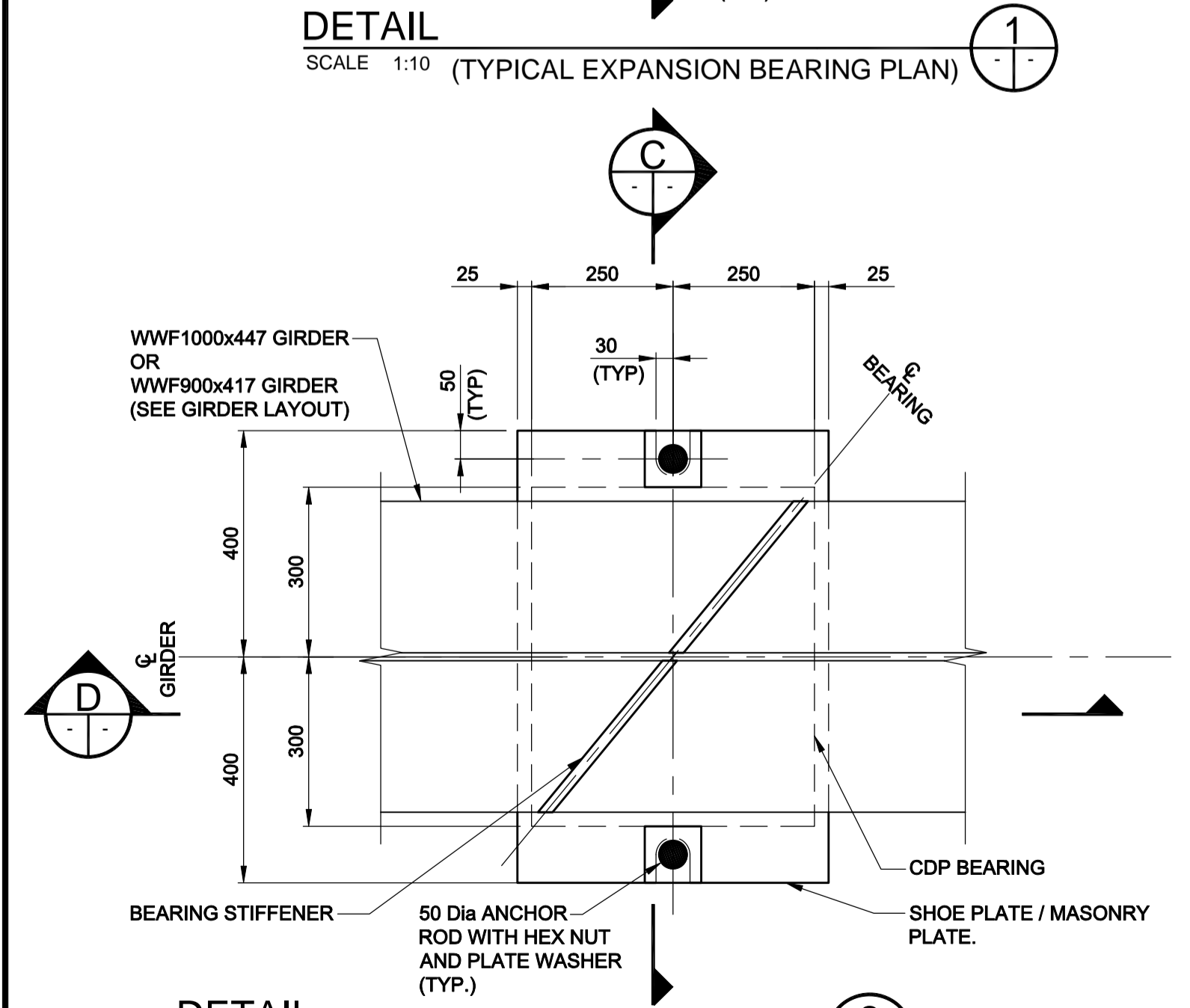
SECTION
SCALE 1:10



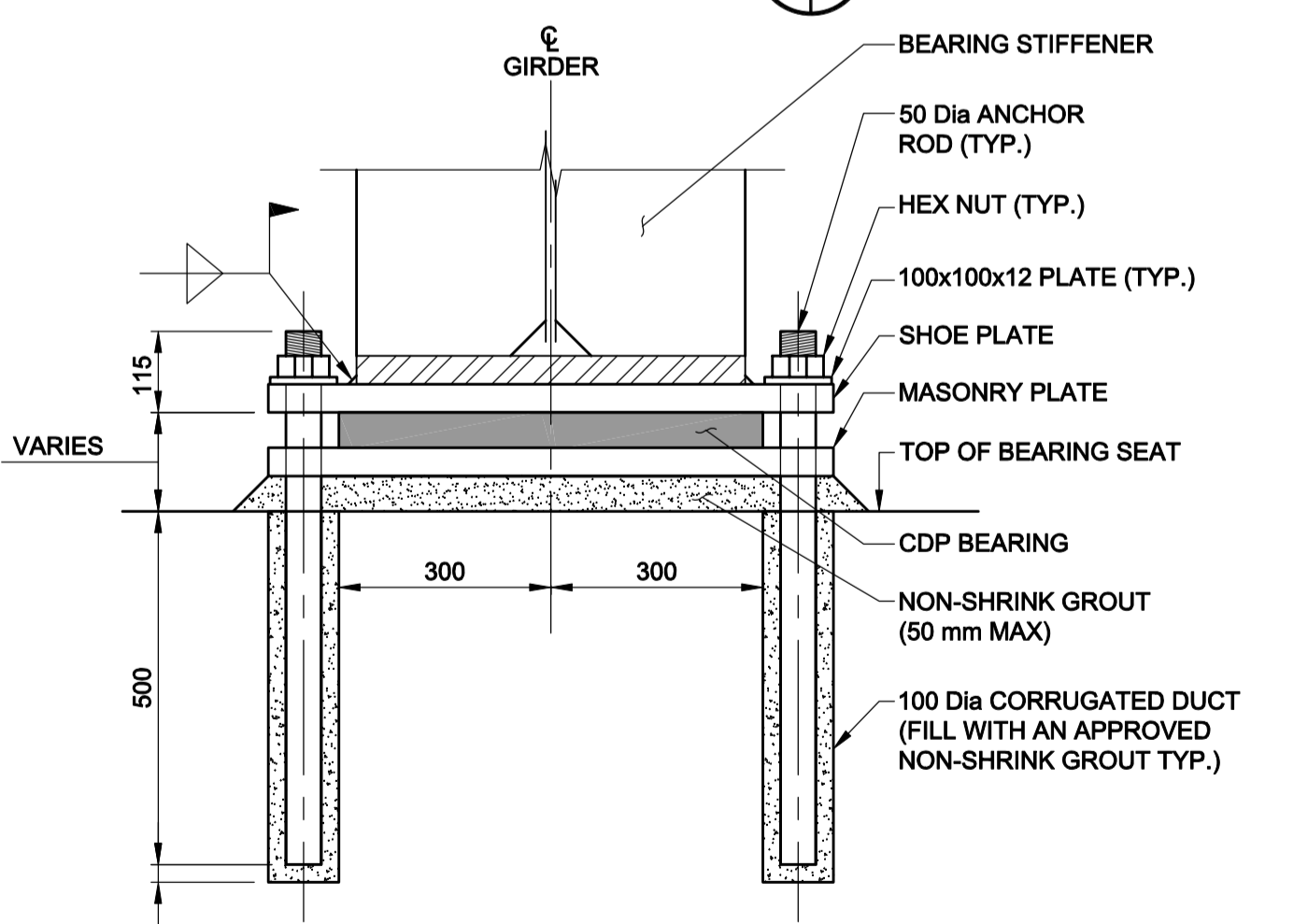
RETAINING PLATE
SCALE 1:10

BRIDGE GRADIENT SUMMARY				
SU.1	SU.2	SU.3	SU.4	
3.39%	2.68%	0.20%	-0.73%	

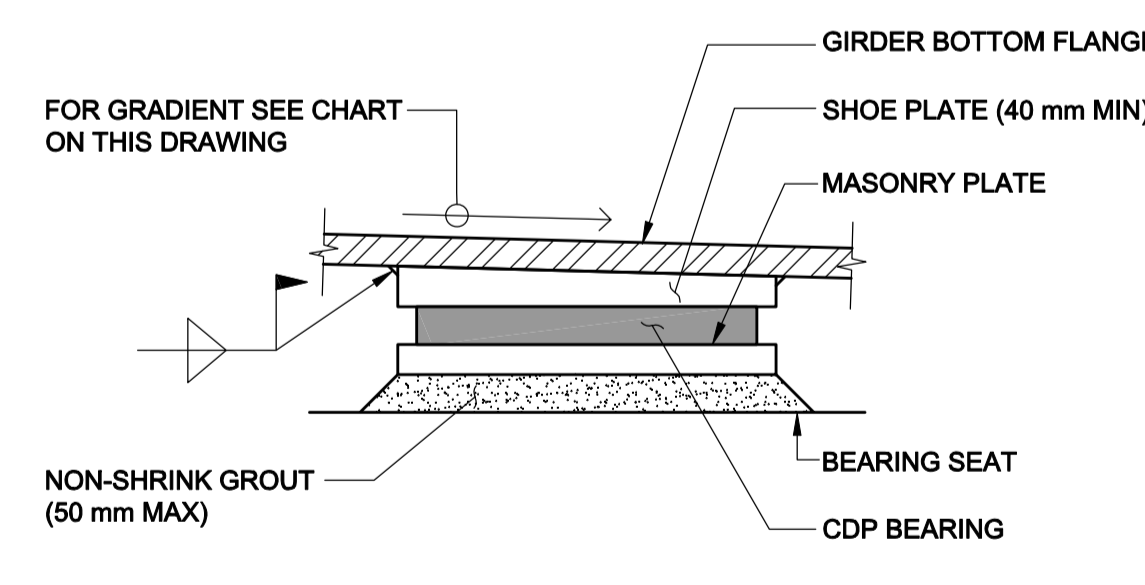
NOTE: GRADIENT IS SLOPING FROM WEST TO EAST



DETAIL
SCALE 1:10 (FIXED BEARING PLAN TYP @ SU.2)



SECTION
SCALE 1:10



SECTION
SCALE 1:10

LOCATION TYPE	REQUIREMENTS			
	SU.1	SU.2	SU.3	SU.4
SLS PERMANENT LOAD (kN)	480	930	1040	240
SLS TOTAL LOAD (kN)	640	1200	1130	550
ULS PERMANENT LOAD (kN)	580	1080	1200	290
ULS TOTAL LOAD (kN)	840	1540	1350	810
MOVEMENT (mm)	± 11	-	± 25	± 34
MAXIMUM SHEAR RATE (kN/mm)	3.60	-	3.57	1.25
BEARING SIZE	400x300x50	600x500x40	600x500x90	400x300x110
STEEL SHOE PLATE SIZE	650x350	800x550	850x550	650x350
MASONRY PLATE SIZE	-	800x550x40	-	-
NUMBER REQUIRED	9	15	15	15
SHORE A HARDNESS (DUROMETER)	60 ± 5	90 ± 5	60 ± 5	60 ± 5
BEARING TYPE	LAMINATED ELASTOMERIC	COTTON DUCT (CDP)	LAMINATED ELASTOMERIC	LAMINATED ELASTOMERIC

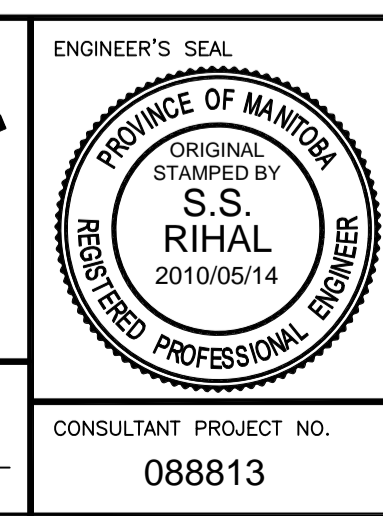


LOCATION	APPROVED UNDERGROUND STRUCTURES	B.M. ELEV.
SUPY. U/G STRUCTURES COMMITTEE	DATE	

NOTE: LOCATION OF UNDERGROUND STRUCTURES AS SHOWN ARE BASED ON THE BEST INFORMATION AVAILABLE BUT NO GUARANTEE IS GIVEN THAT ALL EXISTING UTILITIES ARE SHOWN OR THAT THE GIVEN LOCATIONS ARE EXACT. CONFIRMATION OF EXISTENCE AND EXACT LOCATION OF ALL SERVICES MUST BE OBTAINED FROM THE INDIVIDUAL UTILITIES BEFORE PROCEEDING WITH CONSTRUCTION.

NO.	REVISIONS	DATE	BY
1	ISSUED FOR TENDER	10/05/14	DPK

DESIGNED BY	DRAWN BY	CHECKED BY	APPROVED BY	HOR. SCALE	VERTICAL
DJK	MJB	SSR	DPK	AS SHOWN	AS SHOWN



THE CITY OF WINNIPEG TRANSIT DEPARTMENT

SOUTHWEST RAPID TRANSIT CORRIDOR - STAGE 1
OSBORNE STATION & ASSOCIATED WORKS

CITY DRAWING NUMBER: B237-10-30
SHEET 30 OF 121
CONSULTANT DRAWING NUMBER: C5-S1115-T

CONSULTANT PROJECT NO.: 088813

BEARING LAYOUT AND DETAILS

G:\CAD\088813\Contract\Contract 5-Osborne Station\Current\Bridges\Bridges\C5-CXXX-BEARING DETAIL DRAWING.dwg