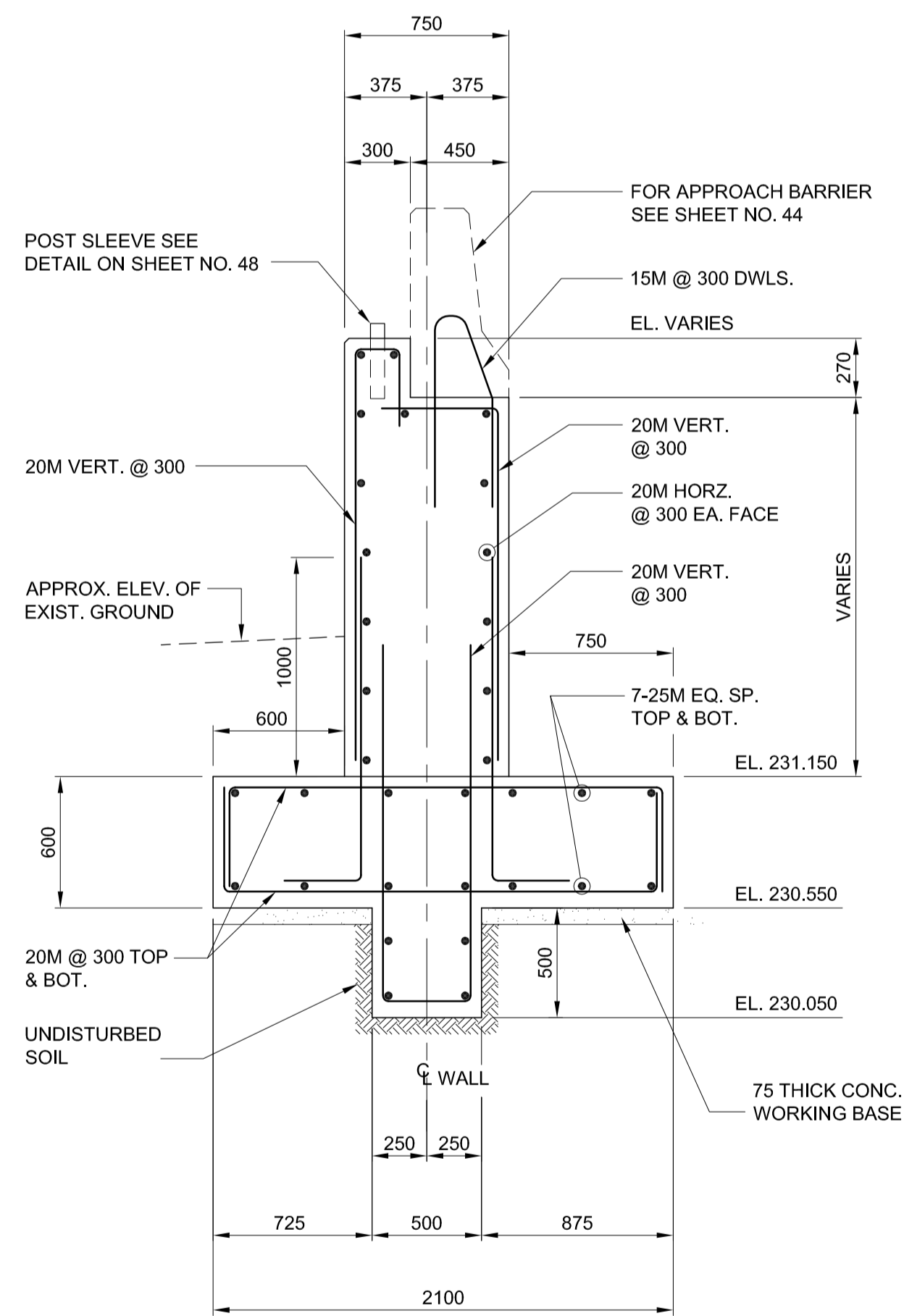
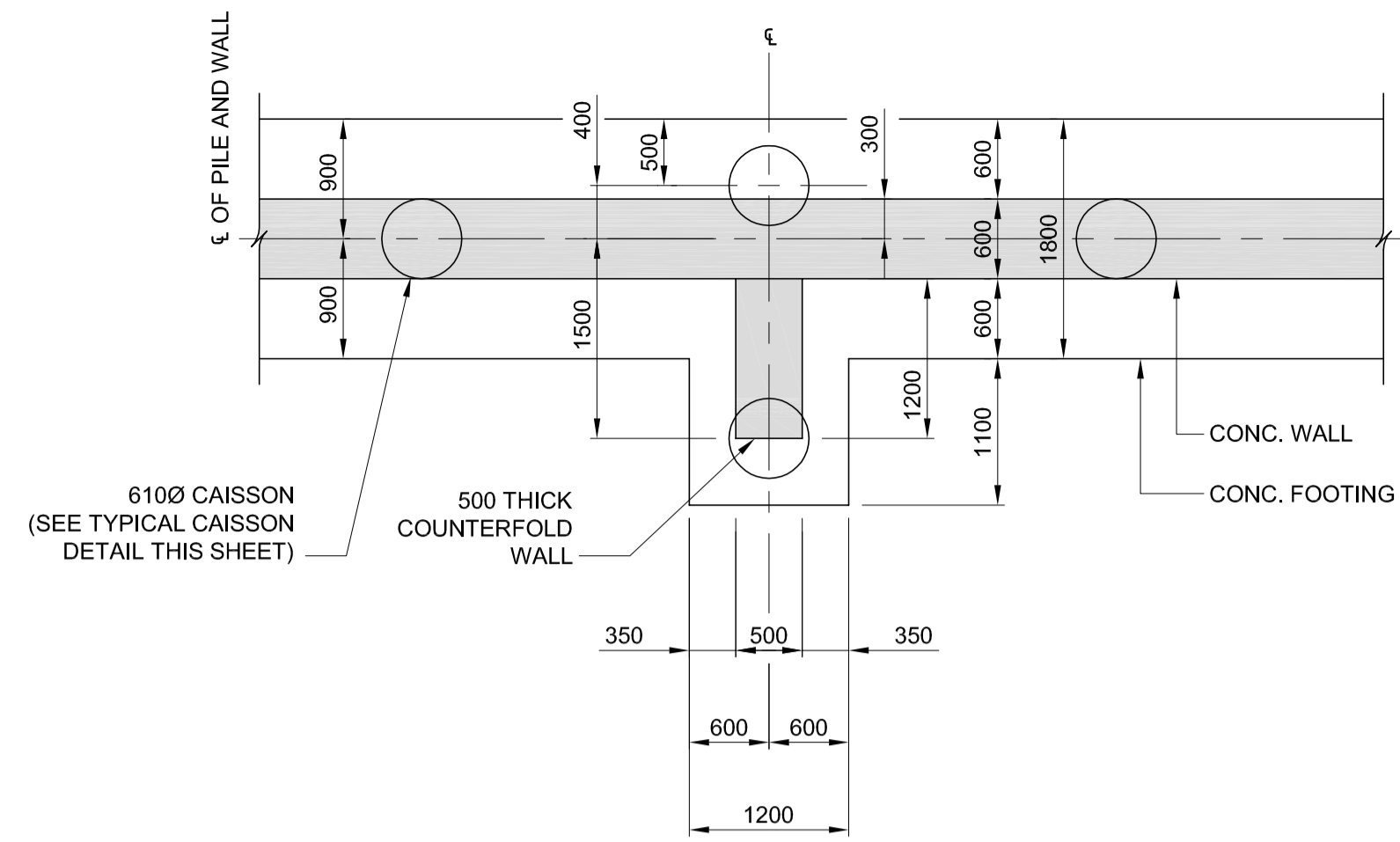


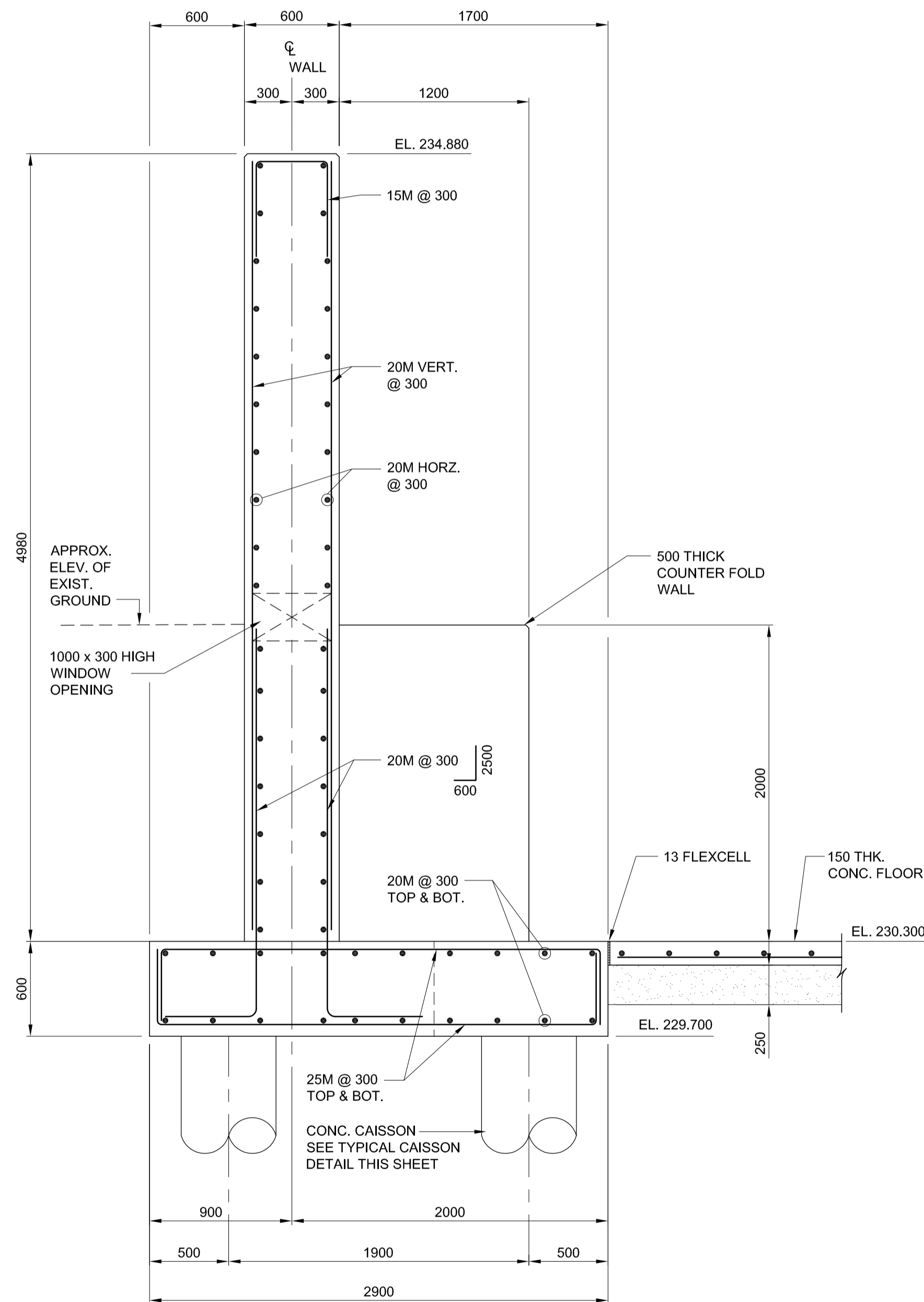
**RETAINING WALL W-1 DETAIL**  
SCALE 1:25



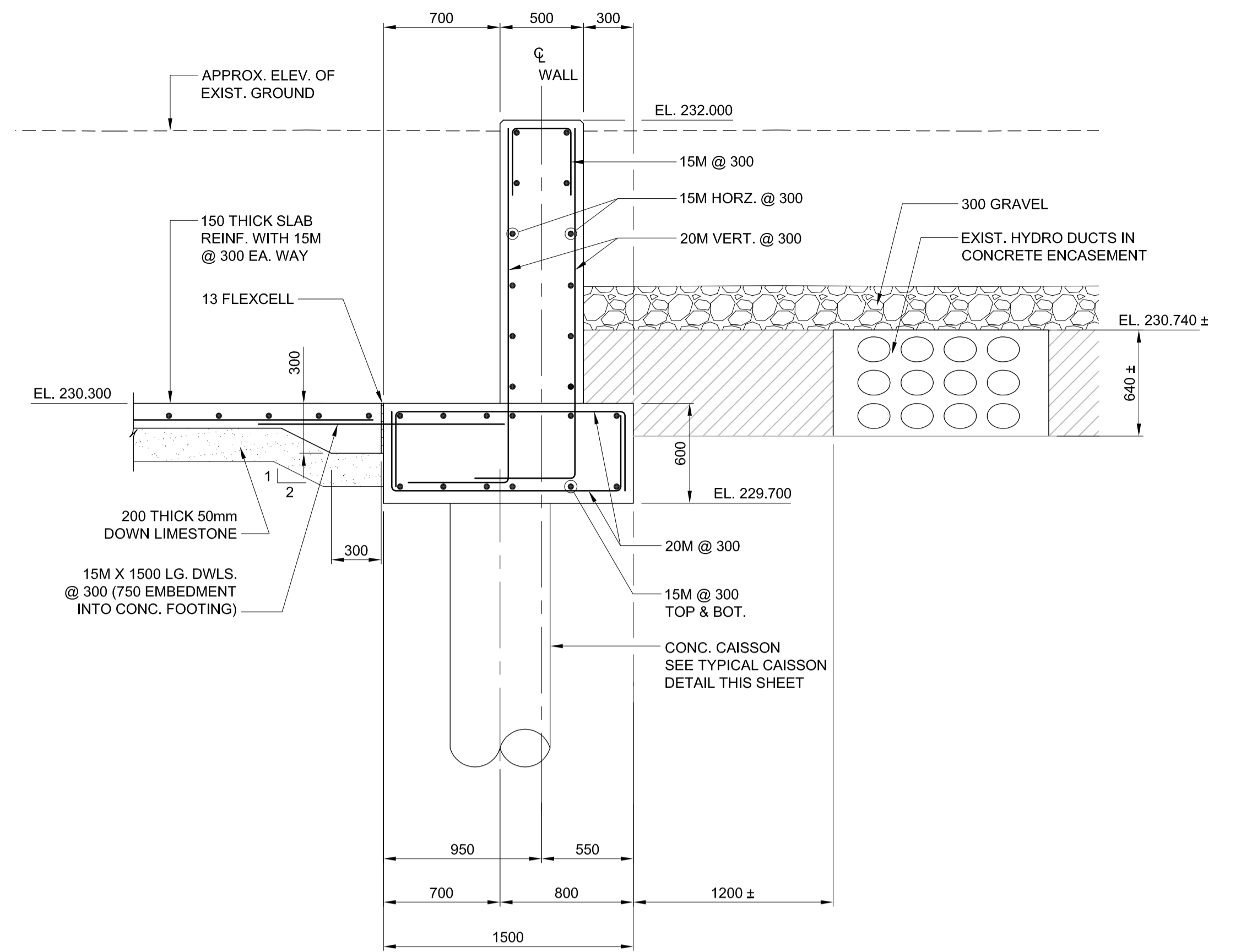
**RETAINING WALL W-2 DETAIL**  
SCALE 1:25



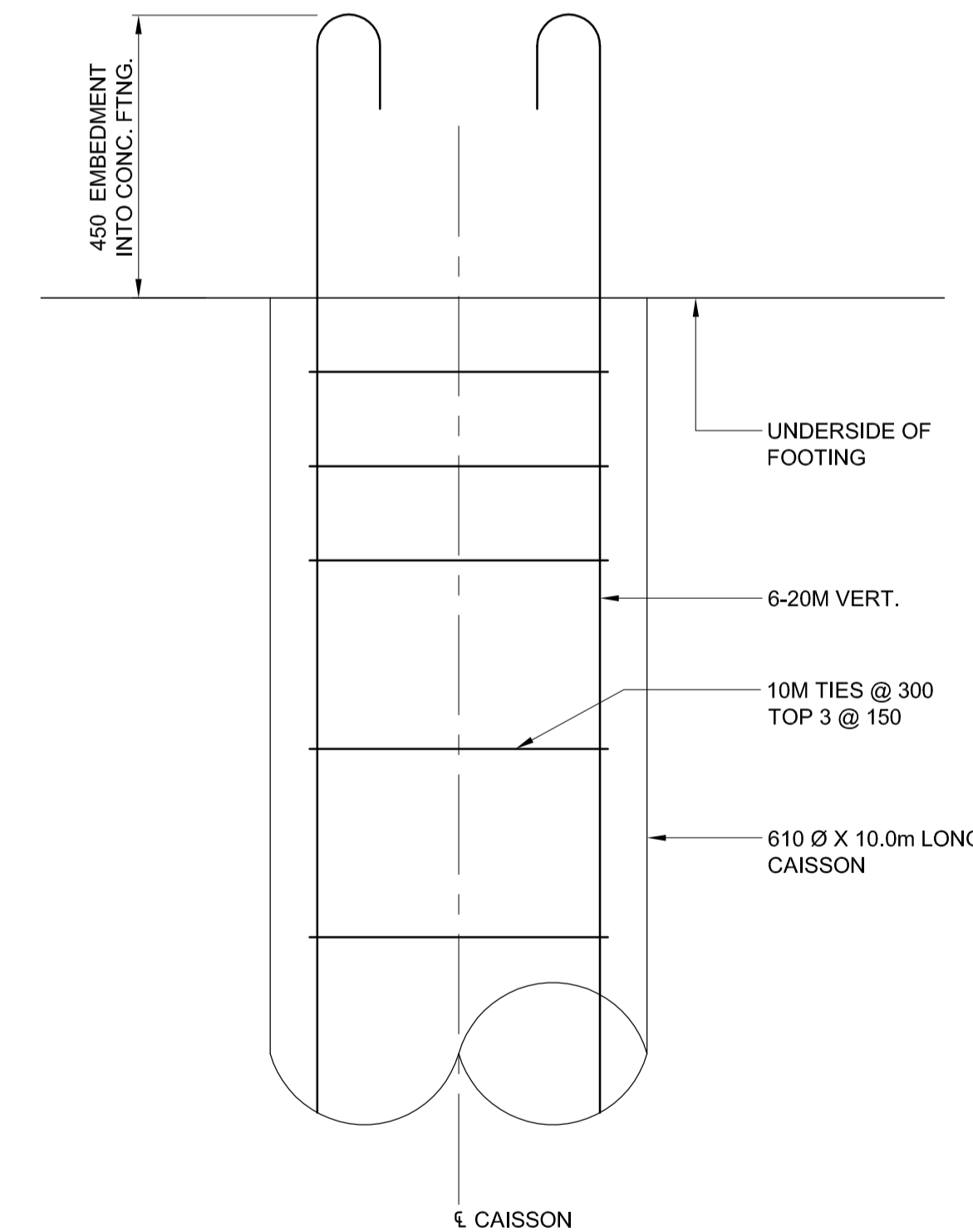
**RETAINING WALL W-3 PLAN DETAIL**  
SCALE 1:50



**RETAINING WALL W-3 DETAIL**  
SCALE 1:25



**RETAINING WALL W-4 DETAIL**  
SCALE 1:25



**TYPICAL CAISSON DETAIL**  
SCALE 1:10

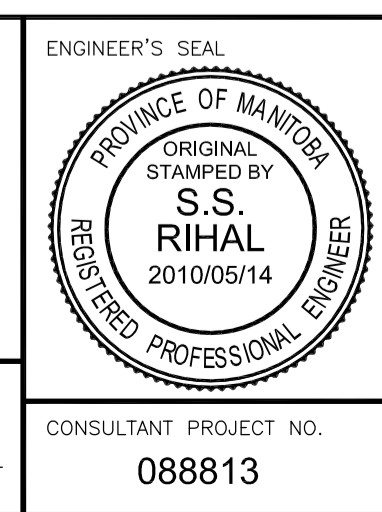
G:\CAD\088813\Contract\Contract 5-Osborne Station\Current\Bridge\C5-S1128 - WEST STATION SECTIONS.dwg



LOCATION UNDERGROUND	APPROVED STRUCTURES	B.M. ELEV.	654265 (633392.694, 5525026.192) 232.518
SUPY. U/G STRUCTURES COMMITTEE	DATE	DESIGNED BY	FAK
		DRAWN BY	NBG /AJP
		CHECKED BY	SSR
		APPROVED BY	DPK
		HOR. SCALE	RELEASED FOR CONSTRUCTION
		VERTICAL	ORIGINAL SIGNED BY RANDY FINGAS
		DATE	2010/05/14
		DATE	2010/05/14

NOTE:	
LOCATION OF UNDERGROUND STRUCTURES AS SHOWN ARE BASED ON THE BEST INFORMATION AVAILABLE BUT NO GUARANTEE IS GIVEN THAT ALL EXISTING UTILITIES ARE SHOWN OR THAT THE GIVEN LOCATIONS ARE EXACT. CONFIRMATION OF EXISTENCE AND EXACT LOCATION OF ALL SERVICES MUST BE OBTAINED FROM THE INDIVIDUAL UTILITIES BEFORE PROCEEDING WITH CONSTRUCTION.	
1 ISSUED FOR TENDER	10/05/14 DPK
NO. REVISIONS	DATE BY

DESIGNED BY	FAK
DRAWN BY	NBG /AJP
CHECKED BY	SSR
APPROVED BY	DPK
HOR. SCALE	RELEASED FOR CONSTRUCTION
VERTICAL	ORIGINAL SIGNED BY RANDY FINGAS
DATE	2010/05/14
DATE	2010/05/14



<b>THE CITY OF WINNIPEG</b> TRANSIT DEPARTMENT	
SOUTHWEST RAPID TRANSIT CORRIDOR - STAGE 1 OSBORNE STATION & ASSOCIATED WORKS	
CITY DRAWING NUMBER	B237-10-49
SHEET	49 OF 121
WEST END RETAINING WALLS - SECTIONS & DETAILS 3 OF 3	
CONSULTANT PROJECT NO.	088813
CONSULTANT DRAWING NUMBER C5-S1134-T	