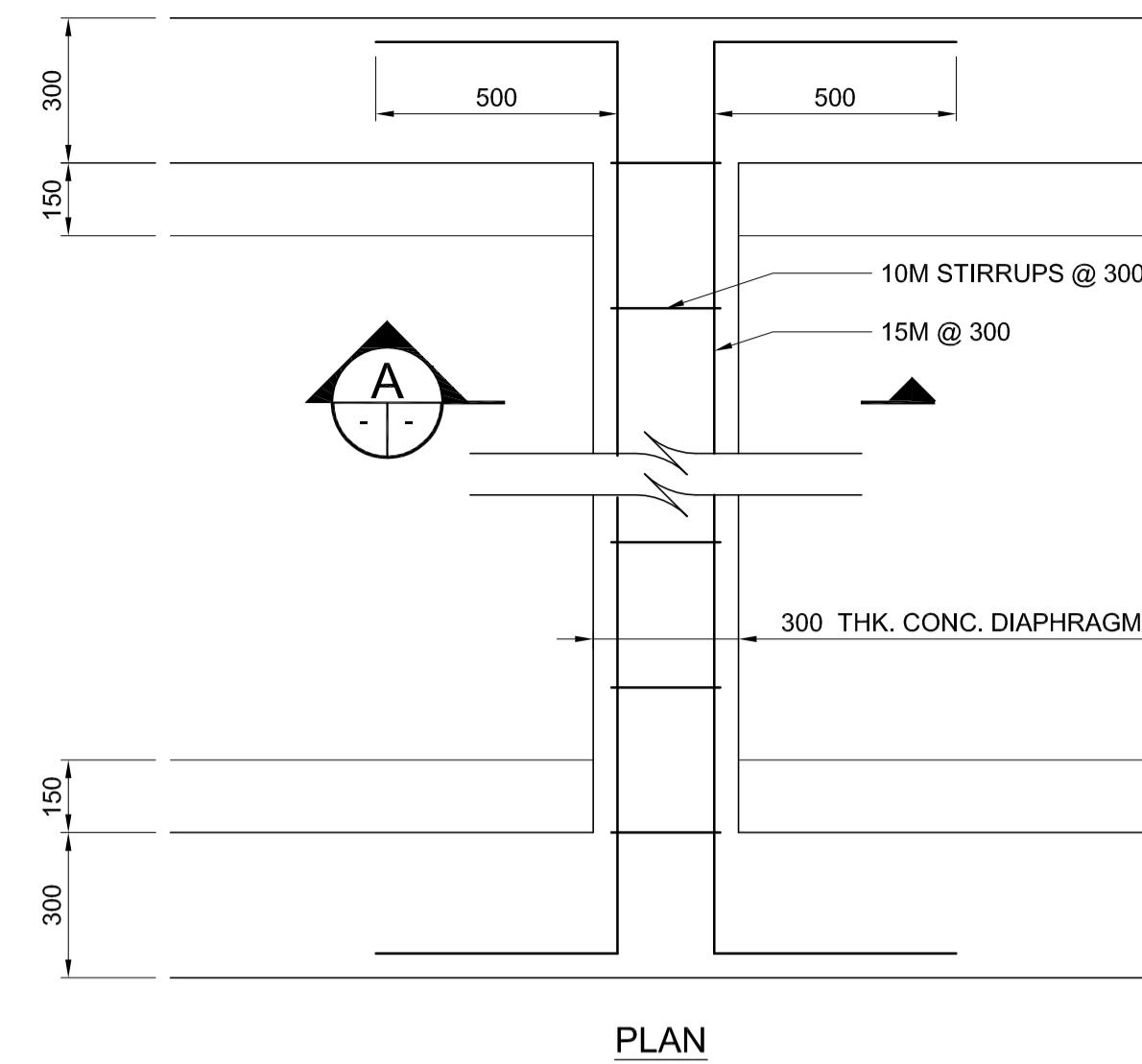
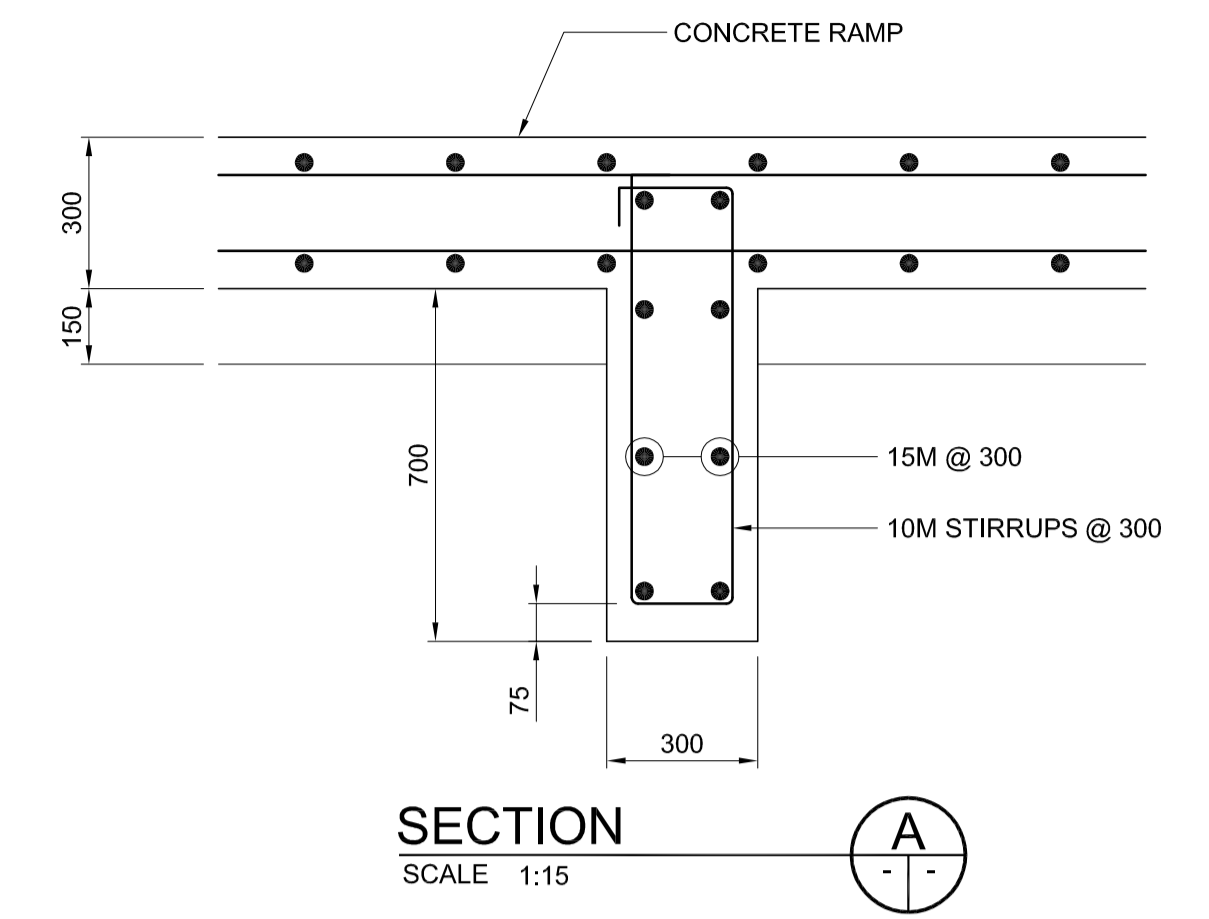


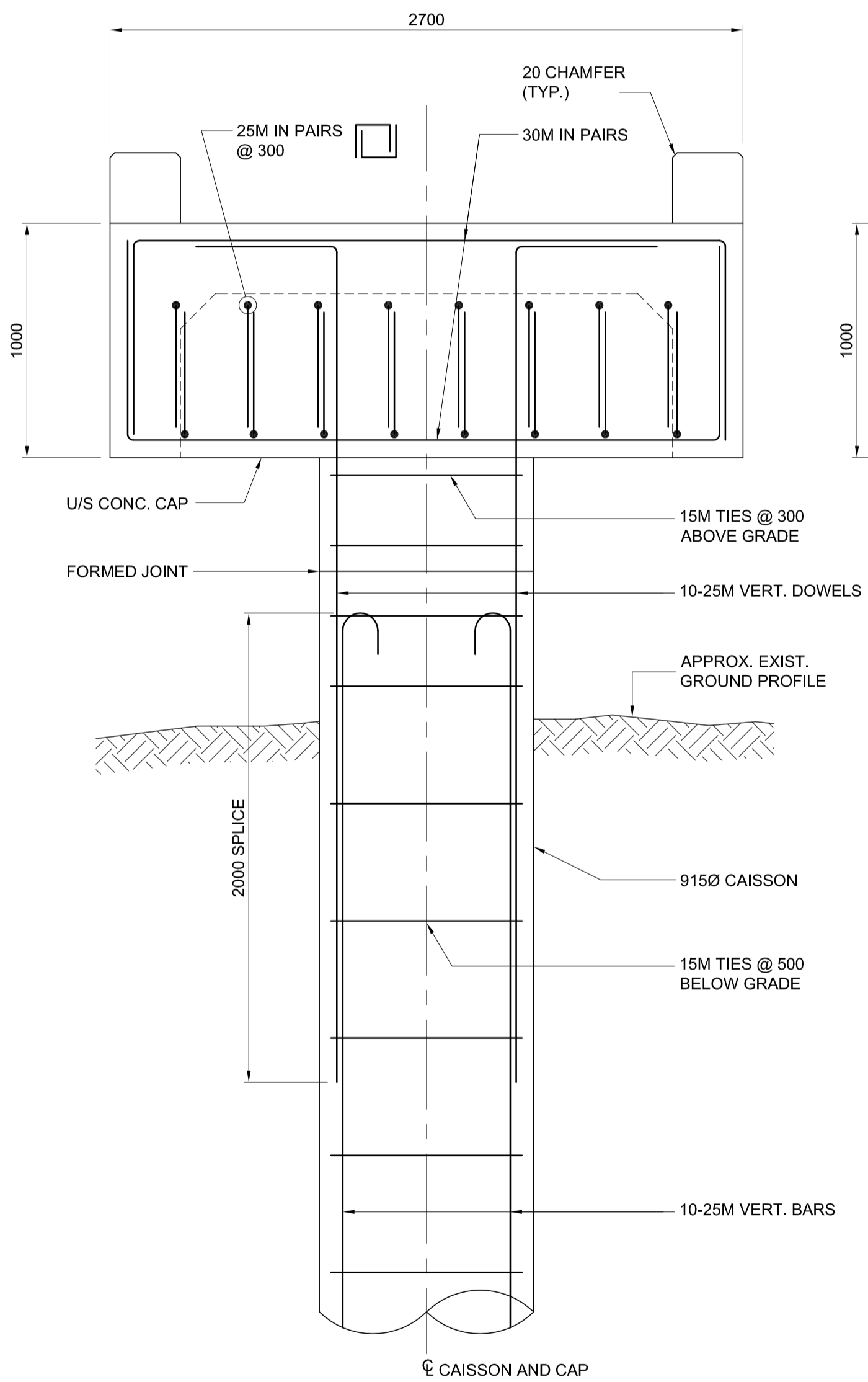
TYPICAL RAMP FLOOR BEAM DETAIL
SCALE 1:15



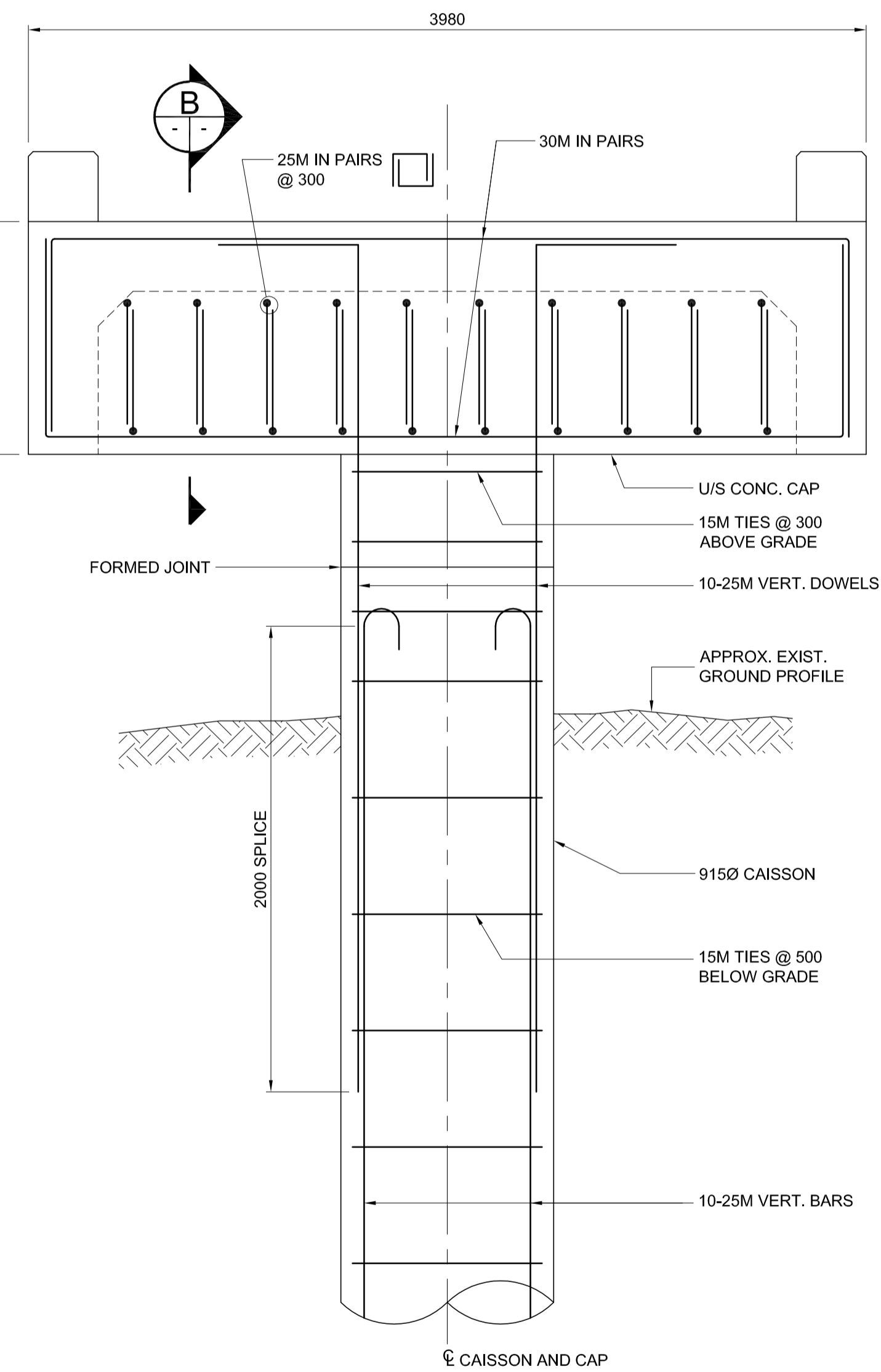
TYPICAL DIAPHRAGM DETAIL
SCALE 1:15



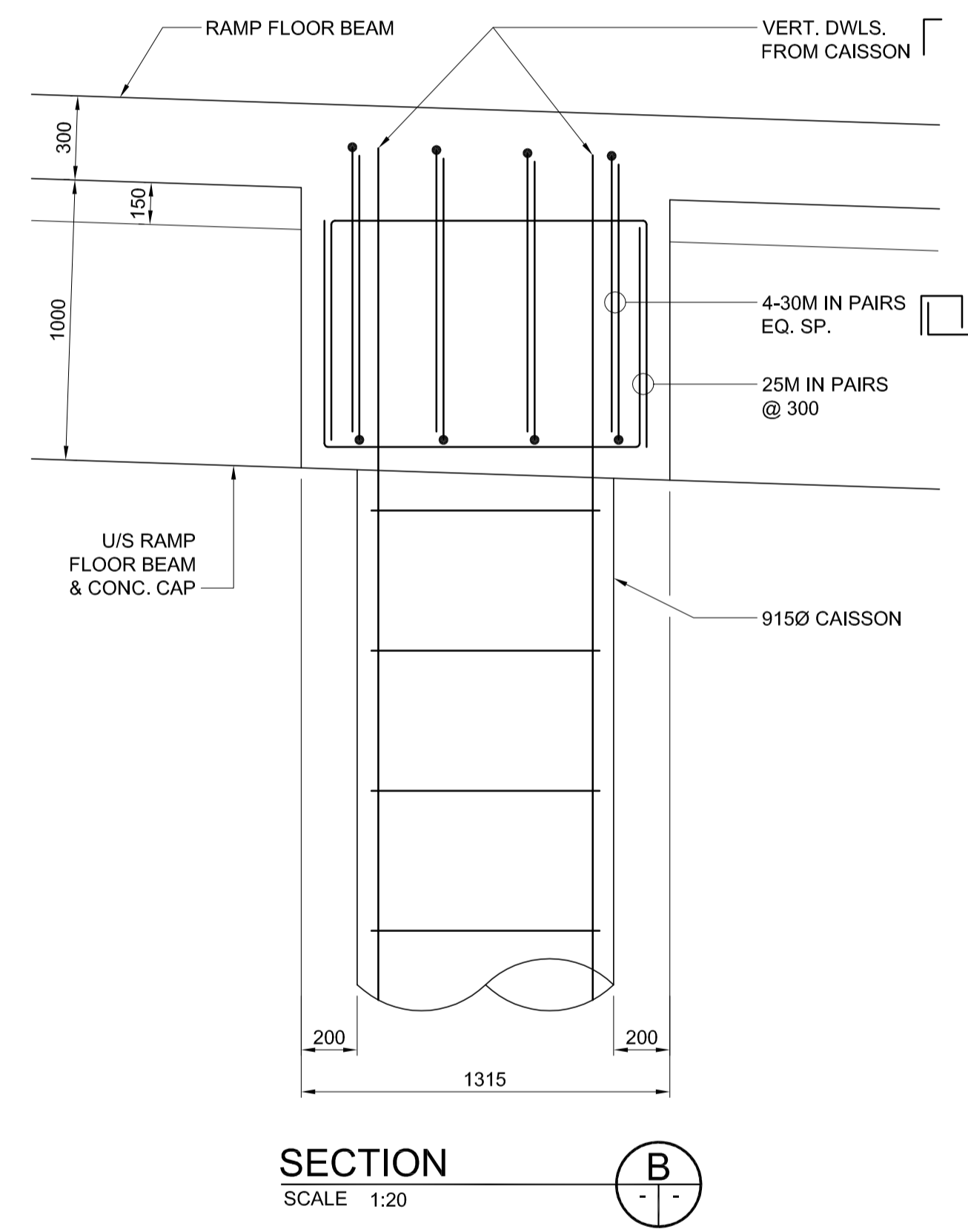
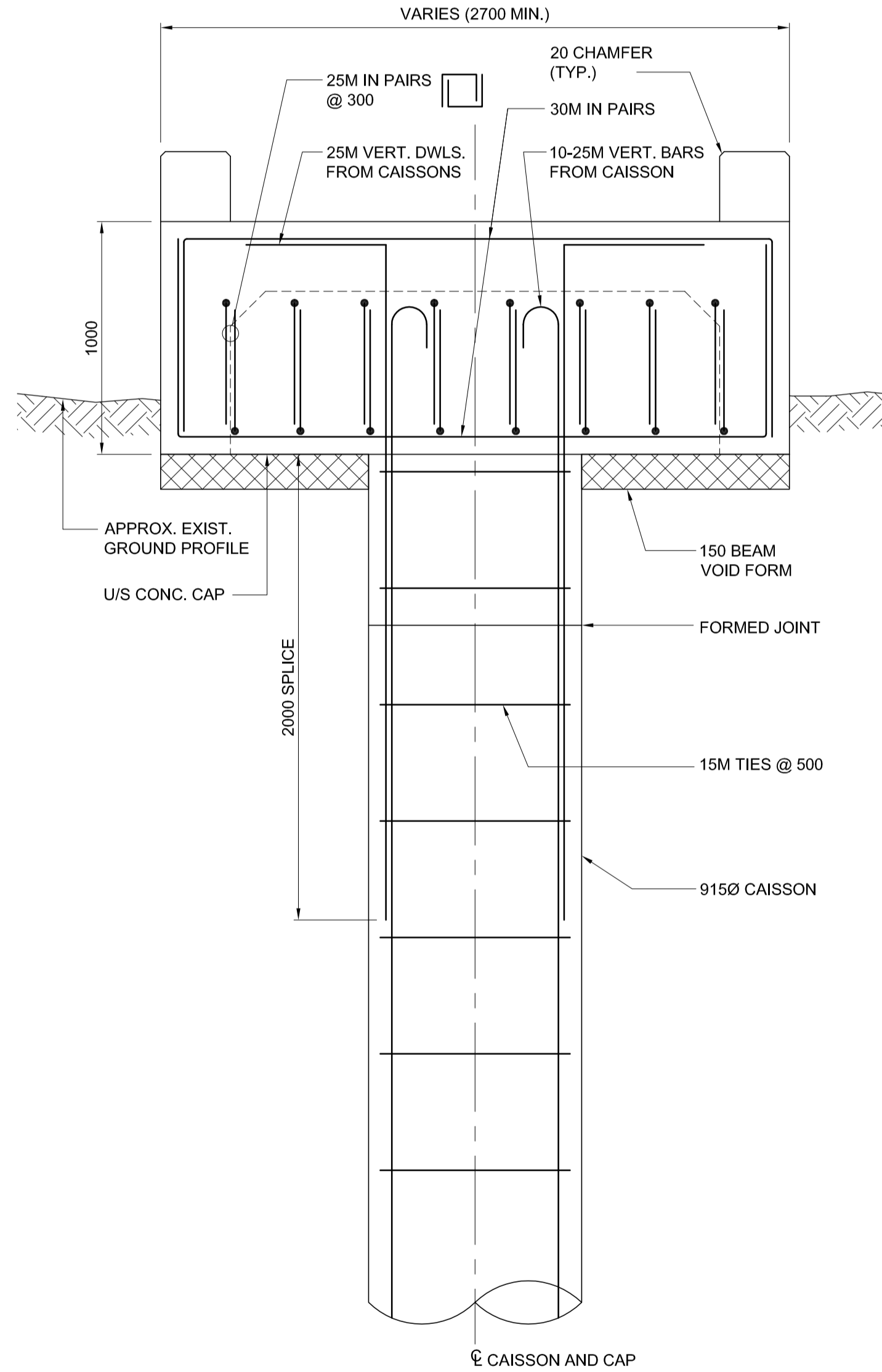
SECTION A-A
SCALE 1:15



TYPICAL CONCRETE CAISSON / CAP DETAIL
SCALE 1:20 (ABOVE GROUND LEVEL)



TYPICAL CONCRETE CAISSON / CAP DETAIL
SCALE 1:20 (BELOW GROUND LEVEL)



SECTION B-B
SCALE 1:20

NOTE:
CAISSONS END BEARING ON TILL.

G:\CAD\088813\Contract\Contract 5- Osborne Station\Current\Bridges\C5-S1133-RAMP REINF.dwg



LOCATION UNDERGROUND STRUCTURES SUPPLY U/G STRUCTURES COMMITTEE DATE	APPROVED BY DATE	B.M. ELEV. 654265 (633392.694, 5525026.192) 232.518	DESIGNED BY FAK DRAWN BY NBG /AJP CHECKED BY SSR APPROVED BY DPK		ENGINEER'S SEAL ORIGINAL STAMPED BY S.S. RIHAL 2010/05/14 REGISTERED PROFESSIONAL ENGINEER	THE CITY OF WINNIPEG TRANSIT DEPARTMENT	SOUTHWEST RAPID TRANSIT CORRIDOR - STAGE 1 OSBORNE STATION & ASSOCIATED WORKS	CITY DRAWING NUMBER B237-10-53 SHEET 53 OF 121
NOTE: LOCATION OF UNDERGROUND STRUCTURES AS SHOWN ARE BASED ON THE BEST INFORMATION AVAILABLE BUT NO GUARANTEE IS GIVEN THAT ALL EXISTING UTILITIES ARE SHOWN OR THAT THE GIVEN LOCATIONS ARE EXACT. CONFIRMATION OF EXISTENCE AND EXACT LOCATION OF ALL SERVICES MUST BE OBTAINED FROM THE INDIVIDUAL UTILITIES BEFORE PROCEEDING WITH CONSTRUCTION.			HOR. SCALE VERTICAL	RELEASED FOR CONSTRUCTION ORIGINAL SIGNED BY RANDY FINGAS DATE 2010/05/14	CONSULTANT PROJECT NO. 088813	WEST SIDE PEDESTRIAN RAMP - SECTIONS & DETAILS 2 OF 4	CONSULTANT DRAWING NUMBER C5-S1138-T	
1 ISSUED FOR TENDER 10/05/14 DPK		NO. REVISIONS DATE BY		DATE 2010/05/14		DATE 2010/05/14		