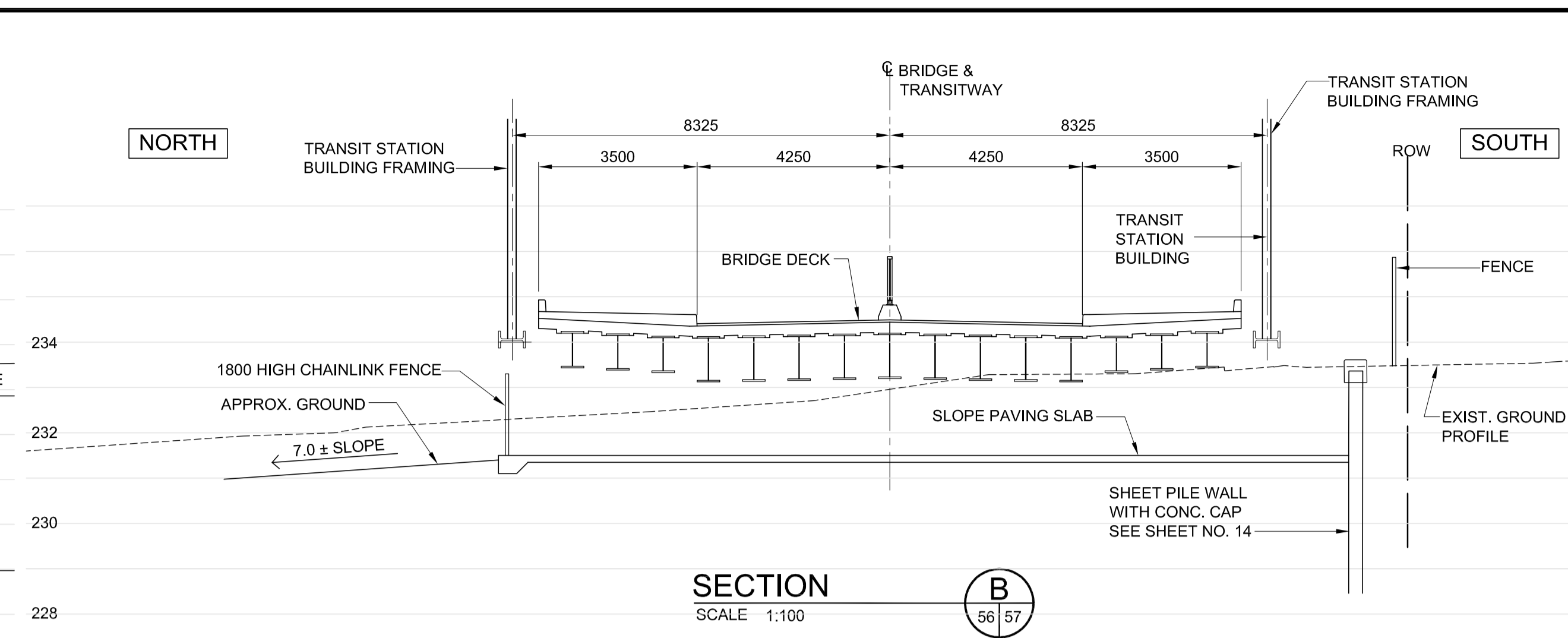
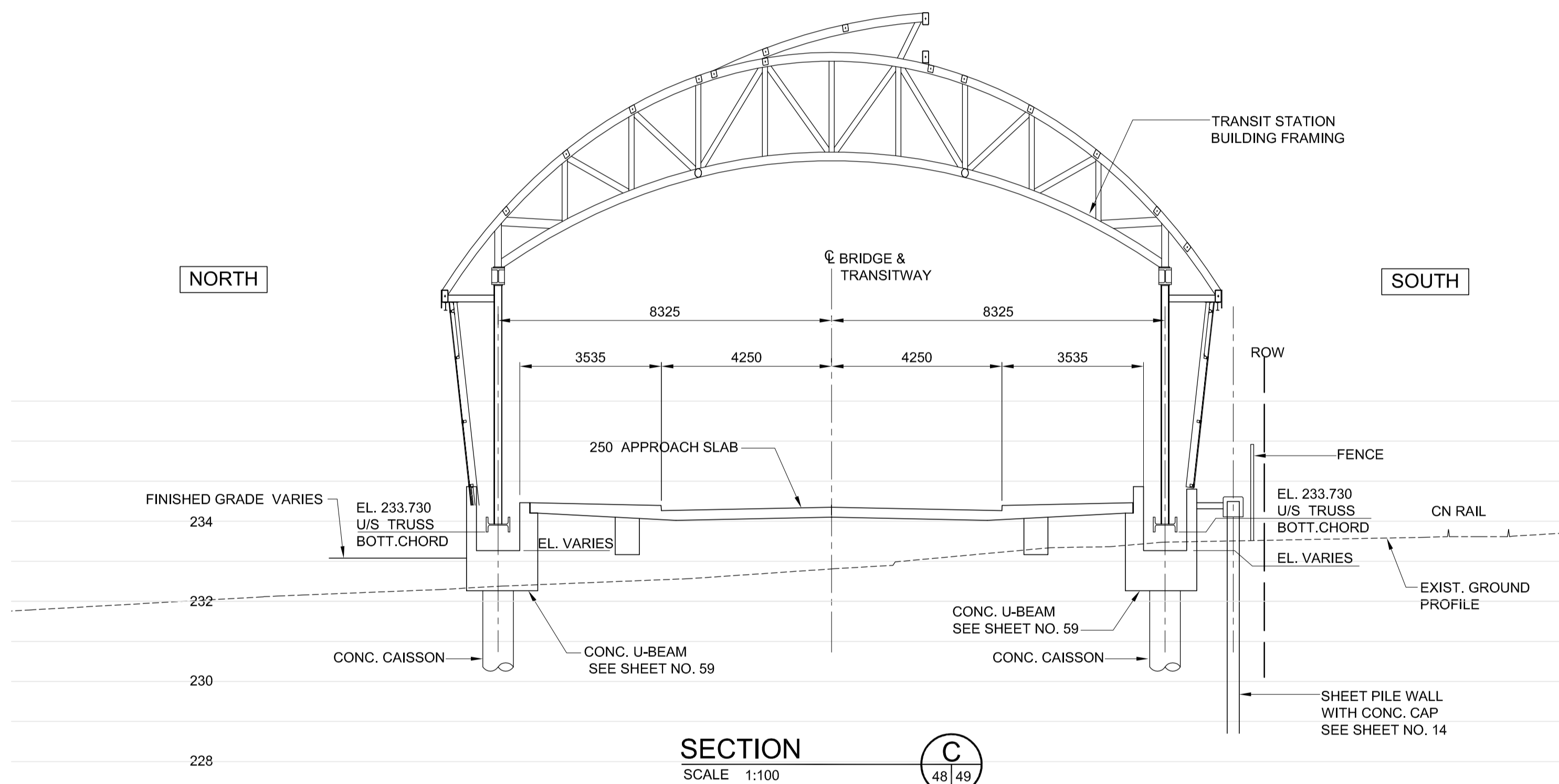


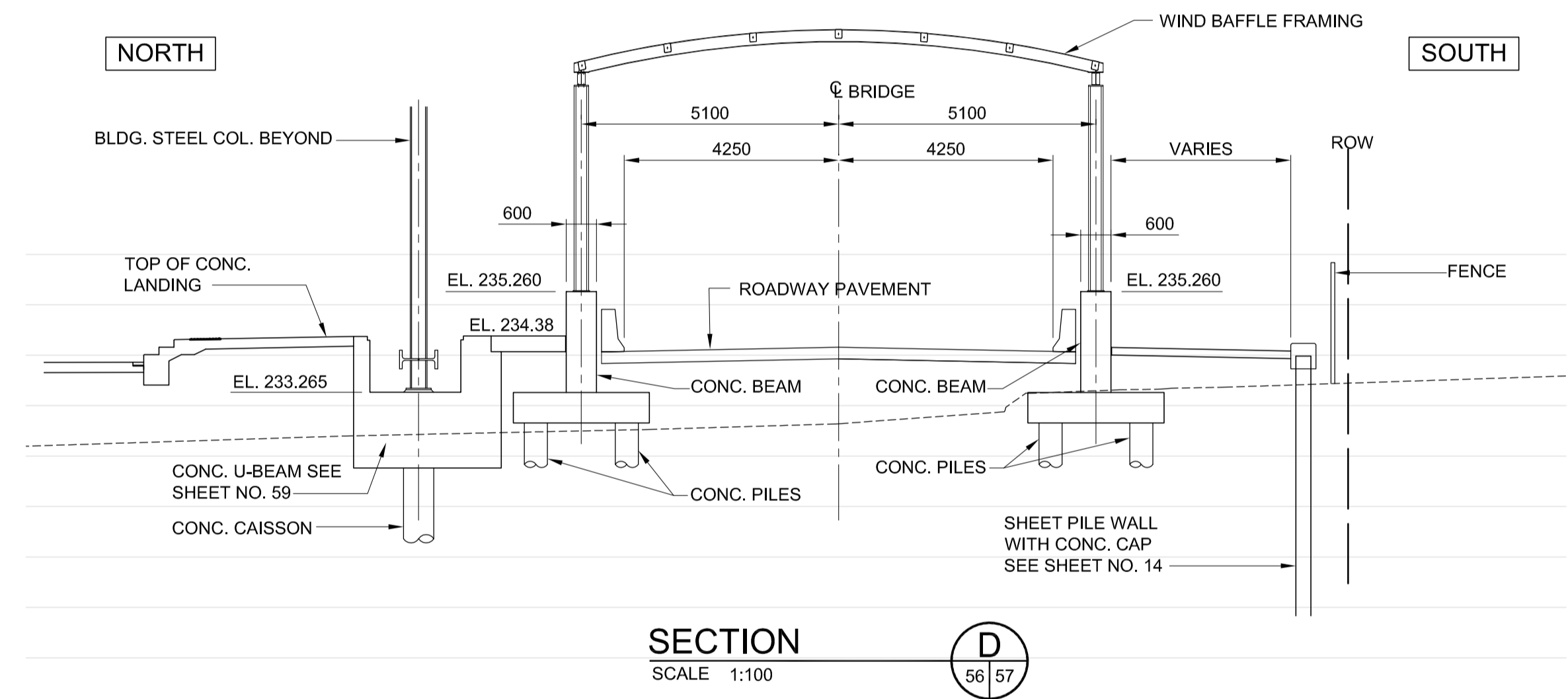
SECTION A  
SCALE 1:100  
56 | 57



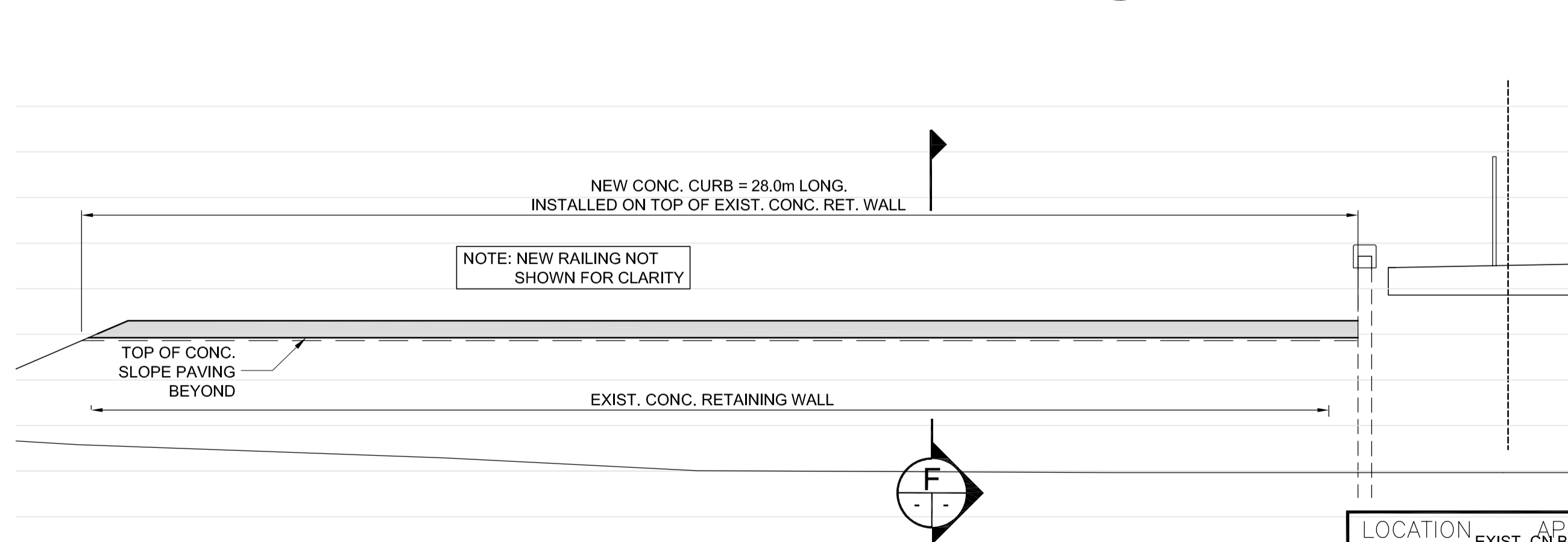
SECTION B  
SCALE 1:100  
56 | 57



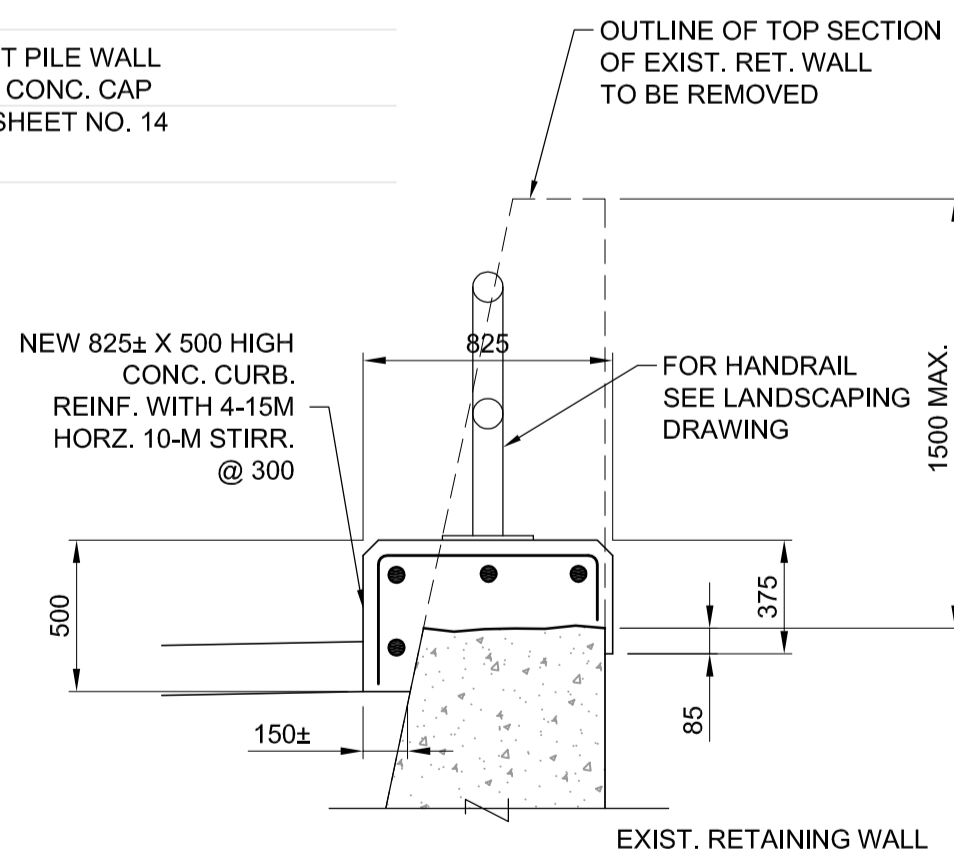
SECTION C  
SCALE 1:100  
48 | 49



SECTION D  
SCALE 1:100  
56 | 57



SECTION E  
SCALE 1:100  
56 | 57



SECTION F  
SCALE 1:100

NEW CONCRETE CURB OVER EXISTING RETAINING WALL

SECTION A  
SCALE 1:100  
56 | 57

NOTE: SEE SECTION A ABOVE FOR REMOVAL OF EXIST. CONC. RETAINING WALL

**APECM**  
Certificate of Authorization  
**Dillon Consulting Limited (MB)**  
No. 1789 Date: 2010/05/14

|                           |            |            |   |             |            |
|---------------------------|------------|------------|---|-------------|------------|
| LOCATION                  | APPROVED   | B.M. ELEV. | 654265 (633392.694, 5525026.192)<br>232.518 | DESIGNED BY | FAK        |
| EXIST. CN BRIDGE ABUTMENT | STRUCTURES |            |   | DRAWN BY    | NBG        |
|                           |            |            |   | CHECKED BY  | SSR        |
|                           |            |            |   | APPROVED BY | DPK        |
|                           |            |            |   | HOR. SCALE  |            |
|                           |            |            |   | VERTICAL    |            |
|                           |            |            |   | DATE        | 2010/05/14 |
|                           |            |            |   | DATE        | 2010/05/14 |

|     |                   |          |     |
|-----|-------------------|----------|-----|
| 1   | ISSUED FOR TENDER | 10/05/14 | DPK |
| NO. | REVISIONS         | DATE     | BY  |

**DILLON CONSULTING**

RELEASED FOR CONSTRUCTION  
ORIGINAL SIGNED BY RANDY FINGAS  
DATE 2010/05/14

ENGINEER'S SEAL  
PROVINCE OF MANITOBA  
ORIGINAL STAMPED BY  
S.S. RIHAL  
2010/05/14  
REGISTERED PROFESSIONAL ENGINEER

CONSULTANT PROJECT NO.  
088813

**THE CITY OF WINNIPEG**  
TRANSIT DEPARTMENT

Winnipeg

SOUTHWEST RAPID TRANSIT CORRIDOR - STAGE 1  
OSBORNE STATION & ASSOCIATED WORKS

EAST END RETAINING WALLS - SECTIONS & DETAILS 1 OF 4

CITY DRAWING NUMBER  
B237-10- 57

SHEET 57 OF 121

CONSULTANT DRAWING NUMBER  
C5-S1142-T

G:\CAD\088813\Contract\Contract 5-Osborne Station\Current\Bridges\C5-S1137- EAST STATION SECTIONS.dwg