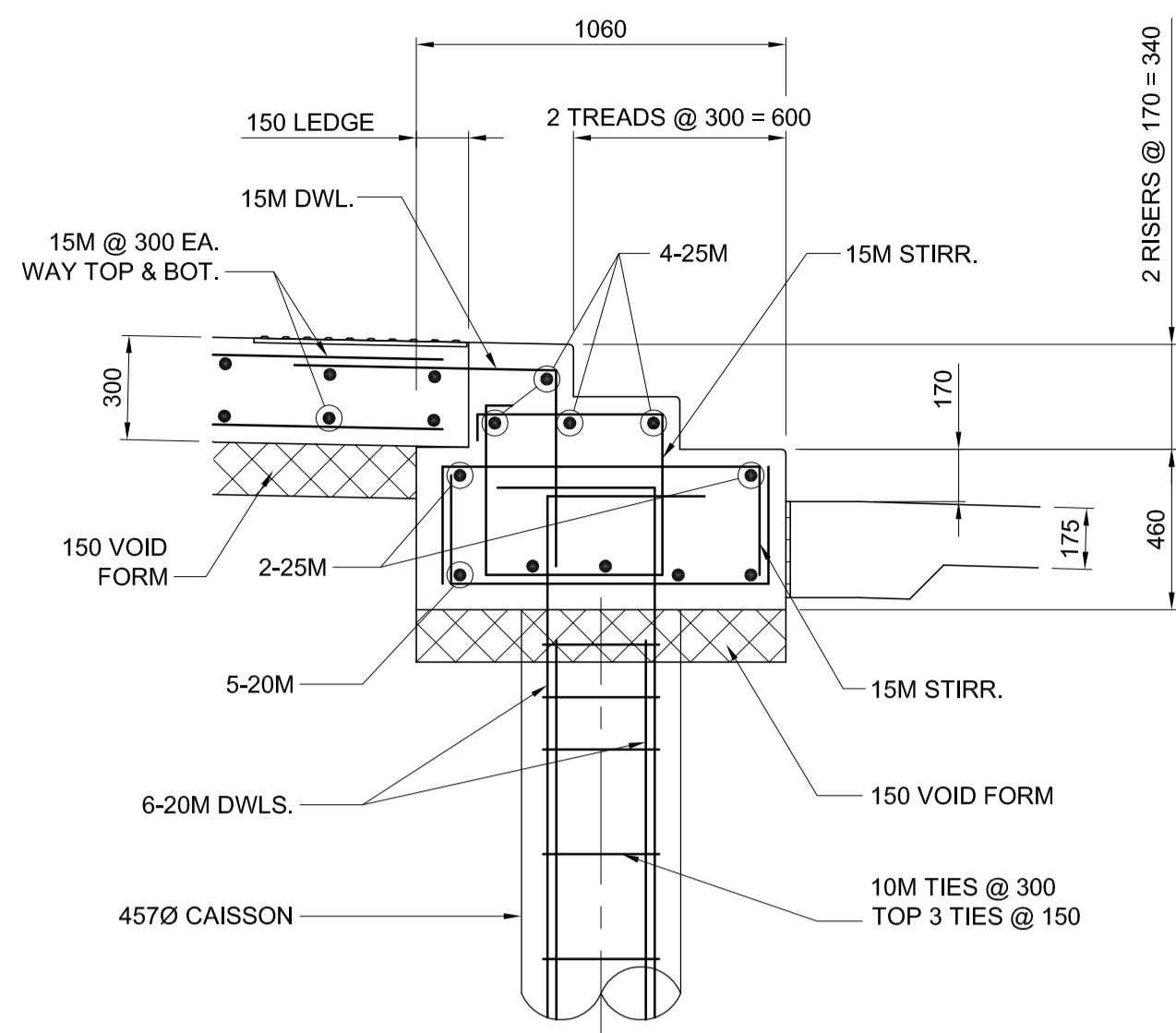
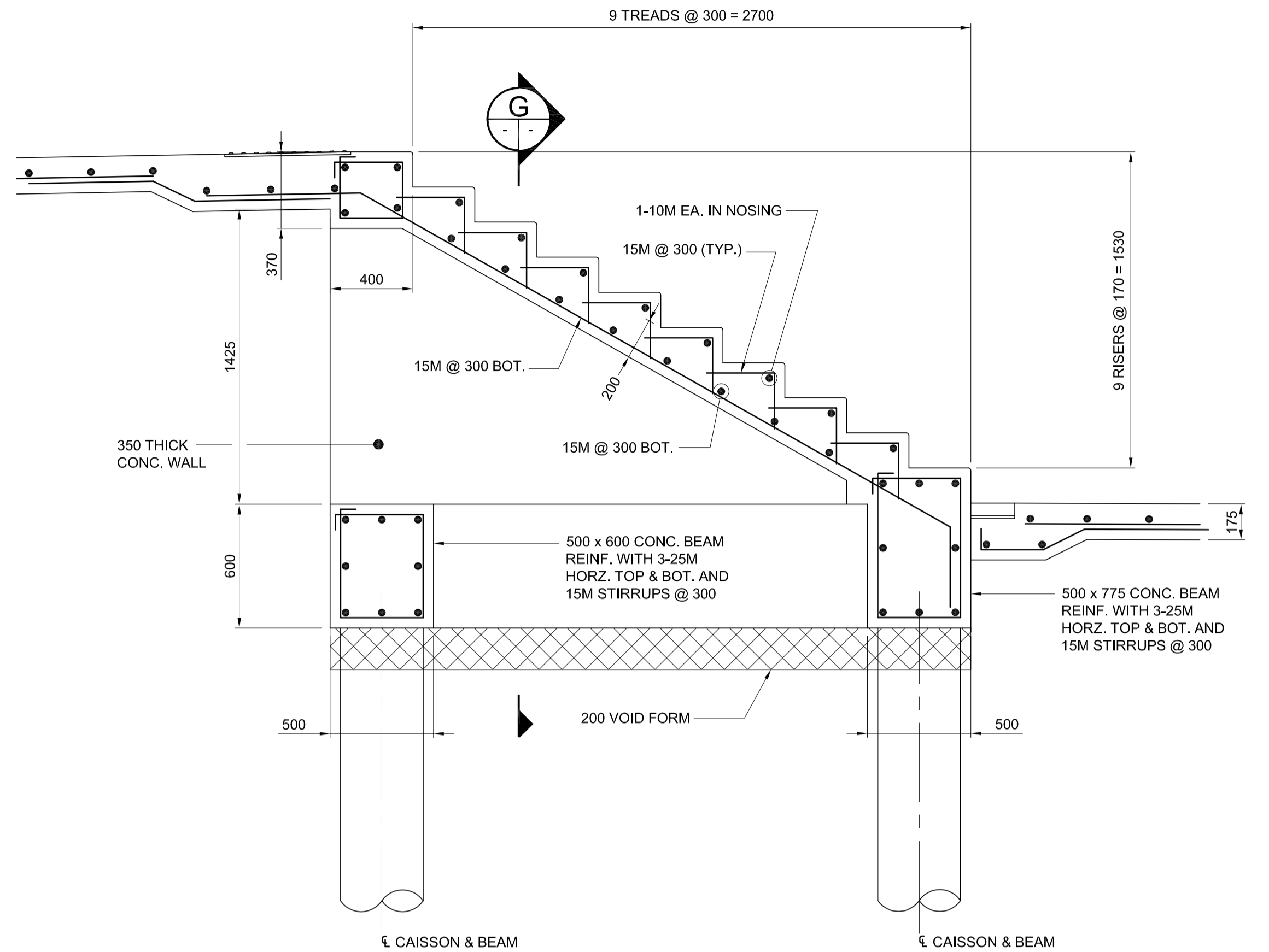


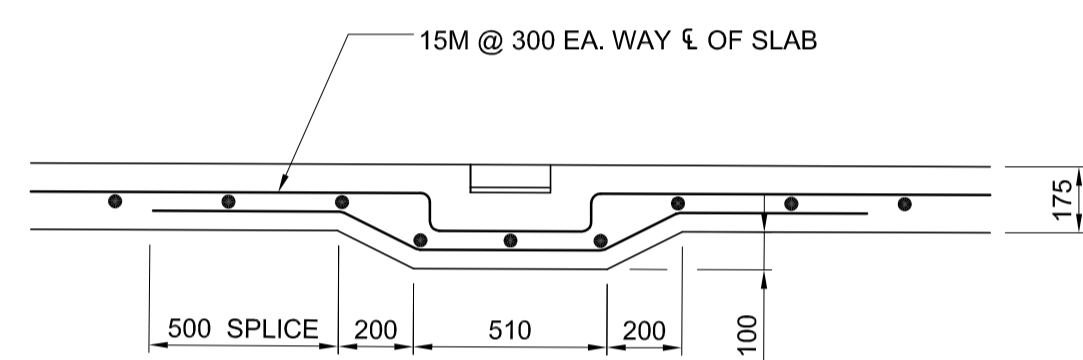
SECTION A
SCALE 1:20



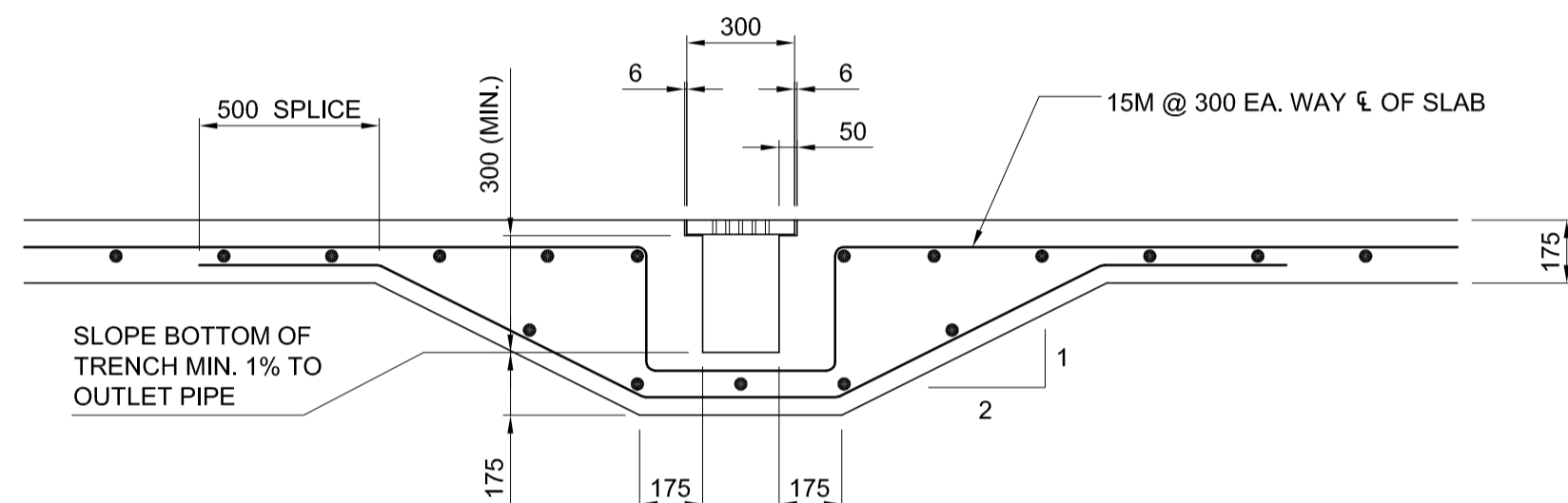
TYPICAL UPPER STAIR DETAIL B
SCALE 1:20



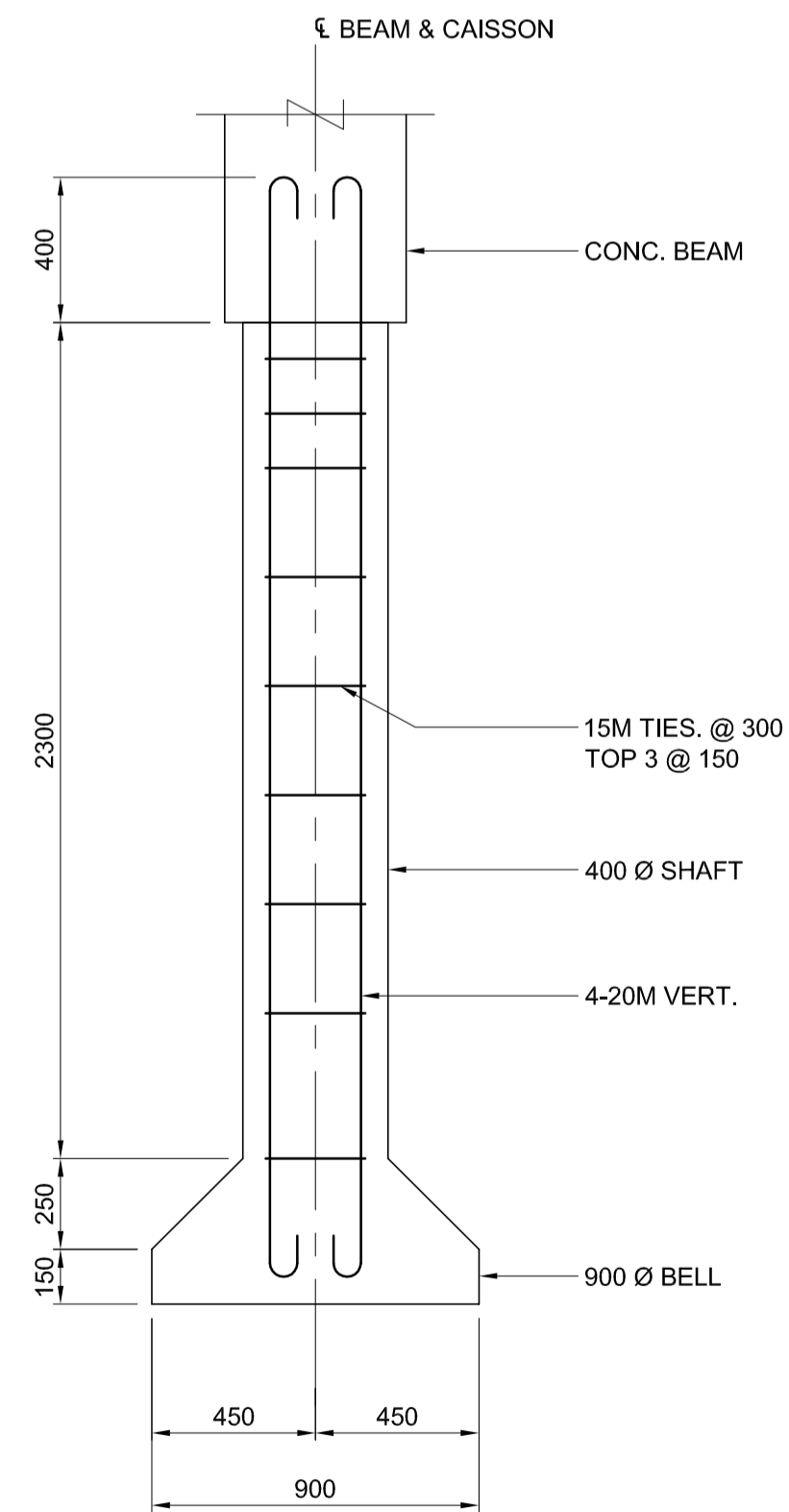
TYPICAL LOWER STAIR DETAIL D
SCALE 1:20



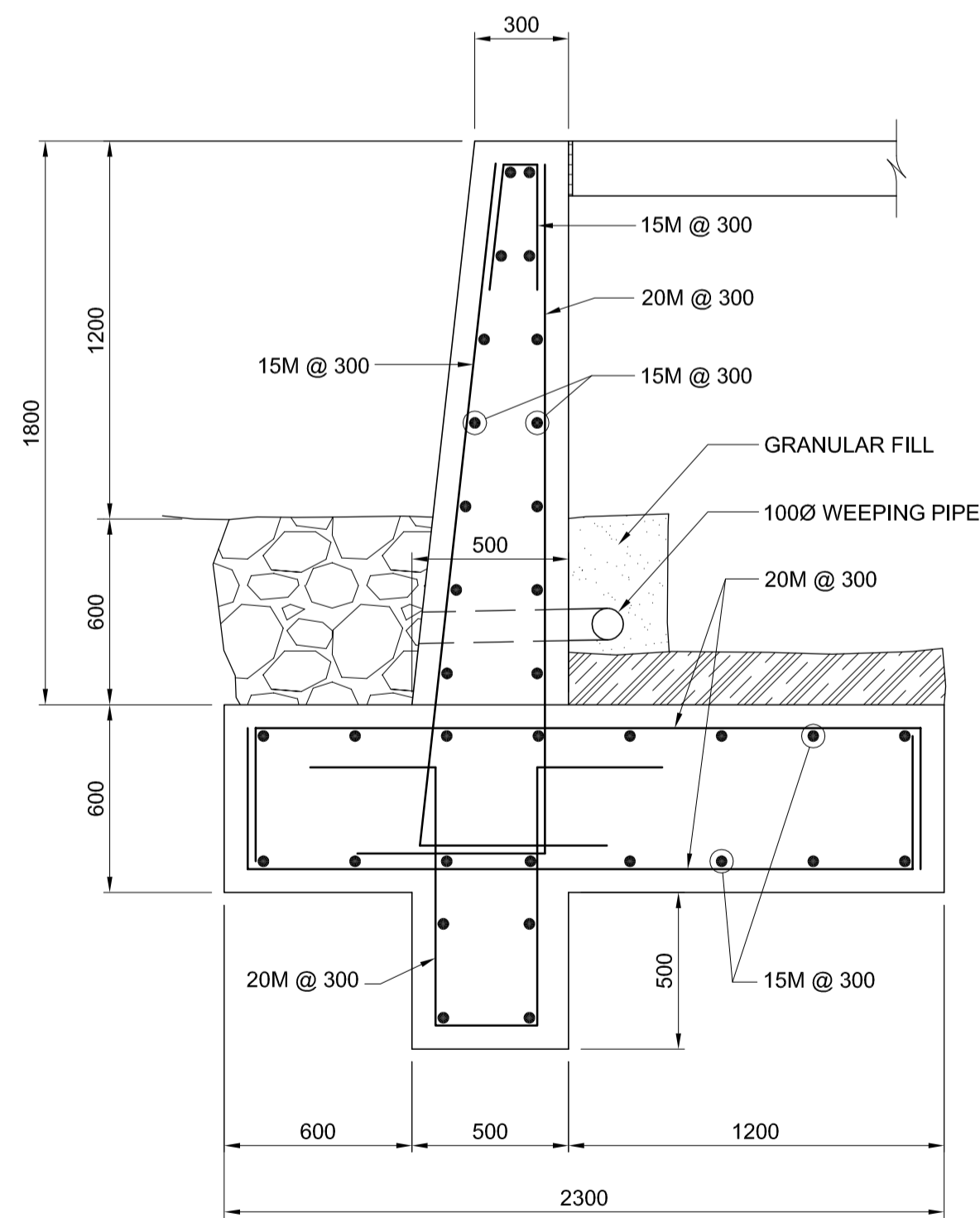
TYPICAL SIDEWALK DETAIL AT PAVER LOCATION
SCALE 1:20



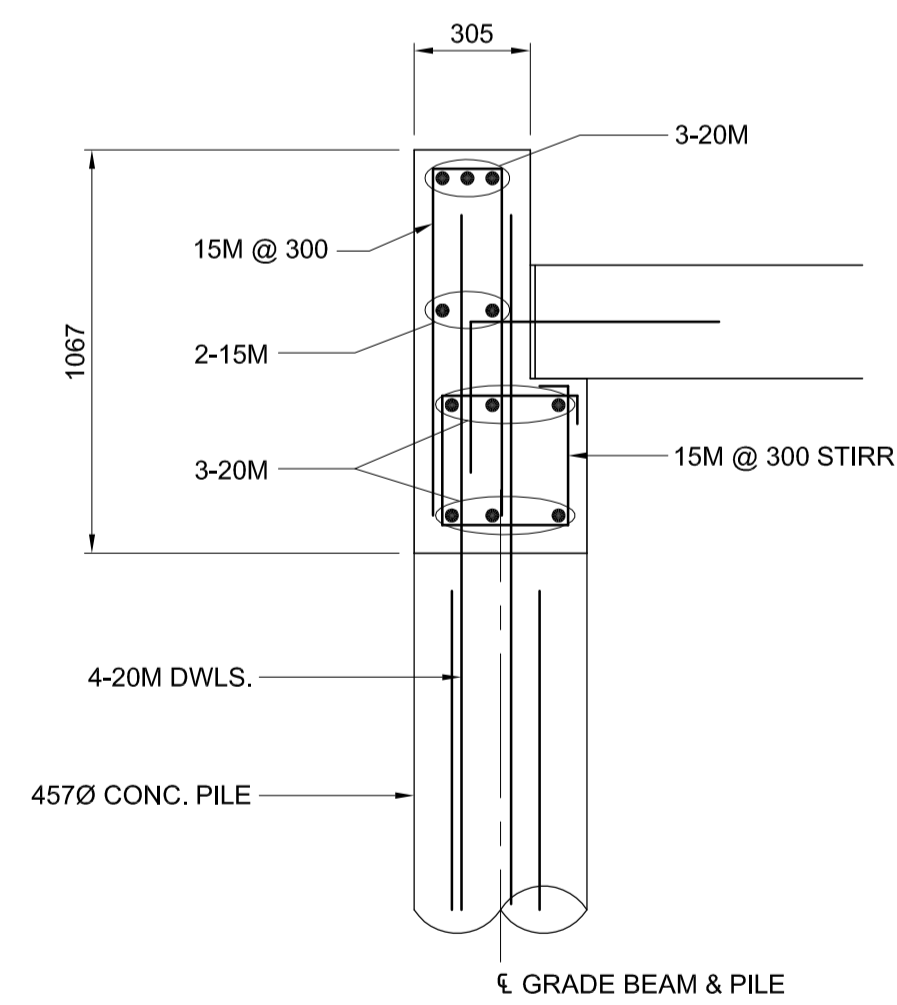
DETAIL AT FRENCH DRAIN LOCATION C
SCALE 1:20



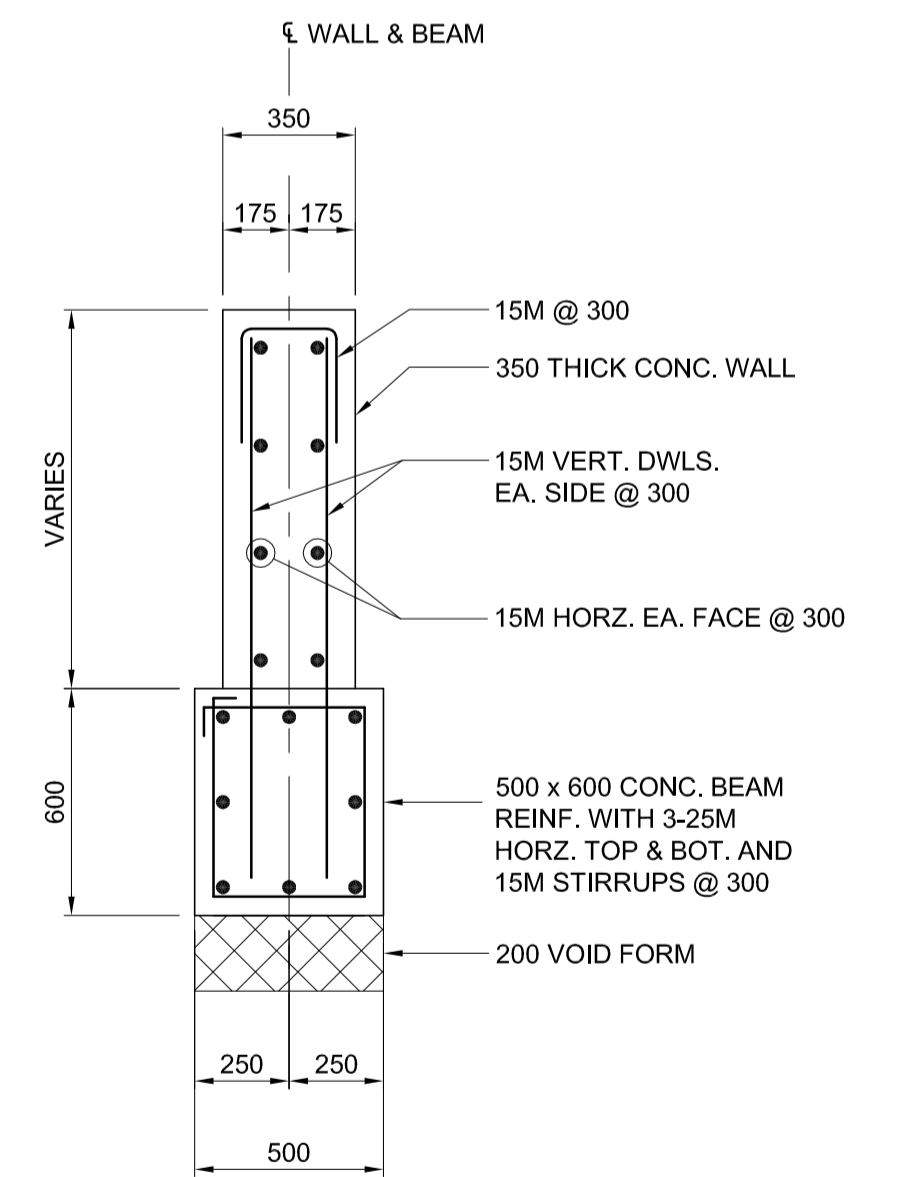
TYPICAL BELL CAISSON DETAIL
SCALE 1:20



SECTION E
SCALE 1:20



SECTION F
SCALE 1:20



SECTION G
SCALE 1:20

G:\CAD\088813\Contract\Contract 5-Osborne Station\Current\Bridge\C5-S1143-EAST PLAZA DETAILS 3.dwg



| | | | |
|---|---------------------|------------|---|
| LOCATION UNDERGROUND | APPROVED STRUCTURES | B.M. ELEV. | 654265 (633392.694, 5525026.192) 232.518 |
| SUPY. U/G STRUCTURES COMMITTEE | DATE | CHECKED BY | SSR |
| NOTE: LOCATION OF UNDERGROUND STRUCTURES AS SHOWN ARE BASED ON THE BEST INFORMATION AVAILABLE. BUT NO GUARANTEE IS GIVEN THAT ALL EXISTING UTILITIES ARE SHOWN OR THAT THE GIVEN LOCATIONS ARE EXACT. CONFIRMATION OF EXISTENCE AND EXACT LOCATION OF ALL SERVICES MUST BE OBTAINED FROM THE INDIVIDUAL UTILITIES BEFORE PROCEEDING WITH CONSTRUCTION. | | | |
| 1 | ISSUED FOR TENDER | 10/05/14 | DPK |
| NO. | REVISIONS | DATE | BY |

| | |
|-------------|---------------------------------|
| DESIGNED BY | FAK |
| DRAWN BY | NBG /AJP |
| CHECKED BY | SSR |
| APPROVED BY | DPK |
| HOR. SCALE | RELEASED FOR CONSTRUCTION |
| VERTICAL | ORIGINAL SIGNED BY RANDY FINGAS |
| DATE | 2010/05/14 |

DILLON CONSULTING

PROVINCE OF MANITOBA
ORIGINAL STAMPED BY
S.S. RIHAL
2010/05/14
REGISTERED PROFESSIONAL ENGINEER

CONSULTANT PROJECT NO.
088813

RELEASED FOR CONSTRUCTION
ORIGINAL SIGNED BY RANDY FINGAS
DATE 2010/05/14

THE CITY OF WINNIPEG TRANSIT DEPARTMENT

Winnipeg

SOUTHWEST RAPID TRANSIT CORRIDOR - STAGE 1
OSBORNE STATION & ASSOCIATED WORKS

EAST SIDE PEDESTRIAN PLAZA - SECTIONS & DETAILS 3 OF 3

CITY DRAWING NUMBER
B237-10-66

SHEET 66 OF 121

CONSULTANT DRAWING NUMBER
C5-S1151-T