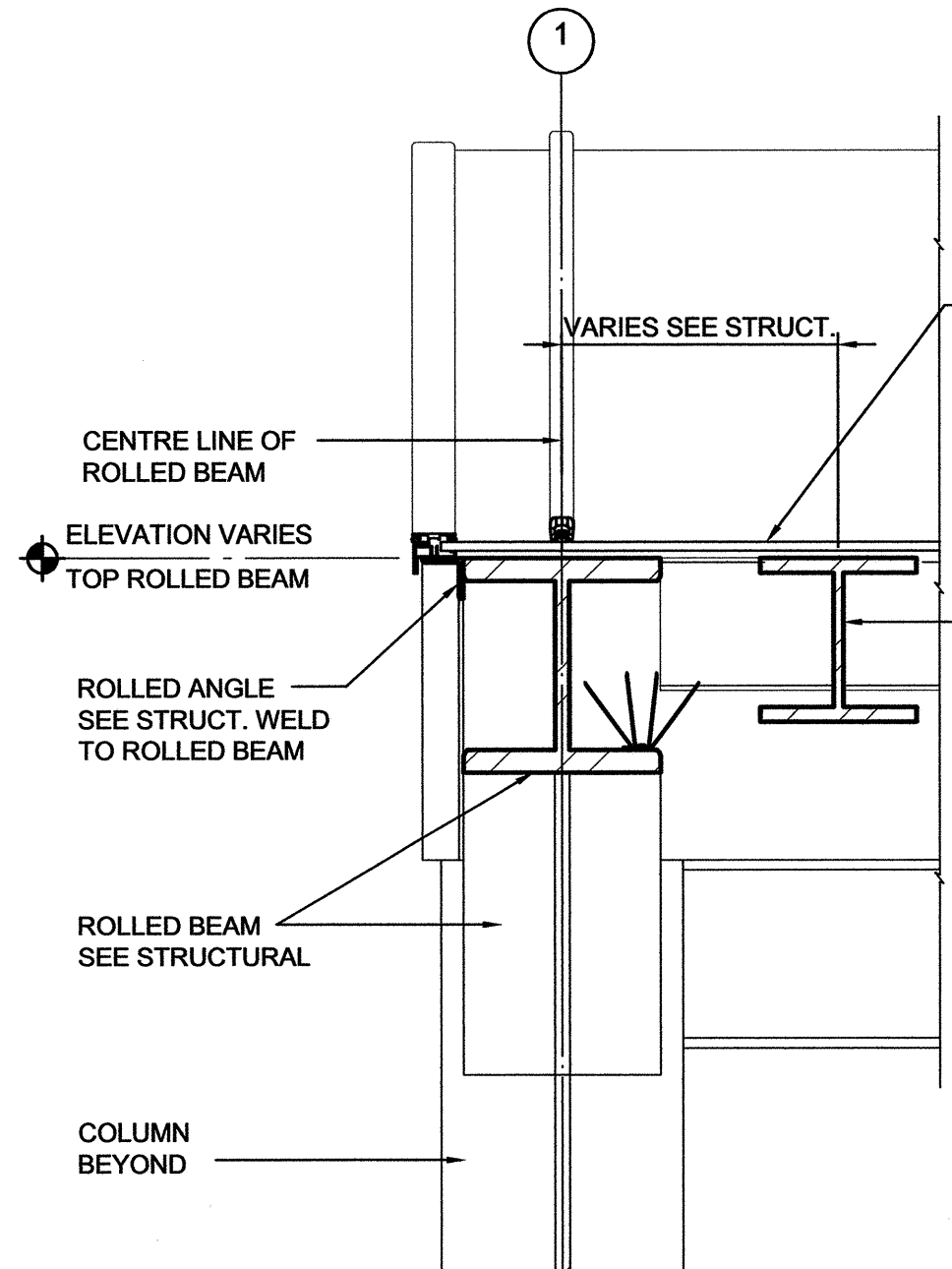
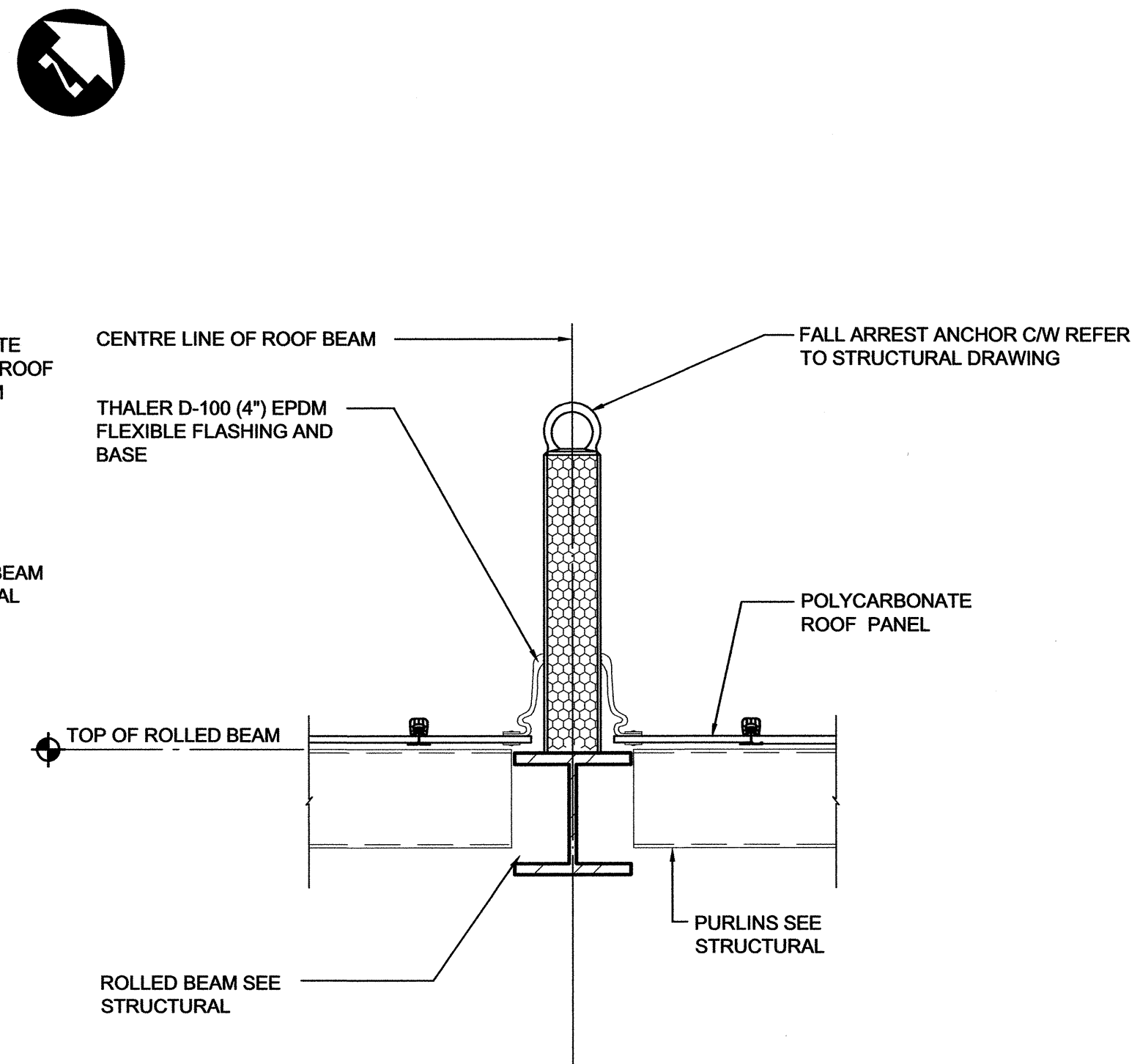


ROOF PLAN
SCALE 1:150



ROOF END DETAIL WIND BAFFLE
SCALE 1:10



LIFE LINE ANCHOR WIND BAFFLE
SCALE 1:10

| CONSTRUCTION KEYNOTES | |
|-----------------------|--|
| 1 | EDGE OF UPPER ROOF LINE |
| 2 | POLYCARBONATE ROOF WITH ROOF BATTENS @ 600mm O/C ON ENTIRE ROOF (PARTIAL AREAS SHOWN ONLY FOR CLARITY) |
| 3 | POLYCARBONATE SNOW GUARDS (REFER TO MANUFACTURERS SPECIFICATIONS FOR SPACING REQUIREMENTS) |
| 4 | LIFELINE ANCHORS SEE STRUCTURAL - PROVIDE THALER D100 BASE FLASHING SEE DETAIL 3 - 72 |
| 5 | LIFELINE ANCHORS AT TRUSS CENTERS WITH A 5m MAX. SPACING ANCHORED TO STRUCTURAL FRAMING - REFER TO DETAIL 3 - 79 |
| 6 | DASHED LINE INDICATES WALLS BELOW (TYPICAL) |
| 7 | PRE-FINISHED REINFORCE METAL GUTTER AND RAIN WATER LEADERS |
| 8 | LIFE LINE ANCHORS ON WIND BAFFLE ROOF BELOW |
| 9 | ROOF CANOPY OVERHANG |
| 10 | ROOF PANEL STEP - PROVIDE PREFINISHED METAL FLASHING BY ROOF PANEL SUPPLIER |
| 11 | LINE OF TRUSS CHORDS SHOWN IN DASHED LINE |
| 12 | CONTROL ROOM (REFER TO DRAWING 58 FOR DETAILS) |
| 13 | HEAT TRACE CABLE ALONG LOW END OF ROOF TYPICAL, FASTEN TO CLIPS PROVIDED BY ROOF PANEL SUPPLIER |



ASSOCIATE ARCHITECT:
Friesen Tokar
Architects + Landscape + Interior Design

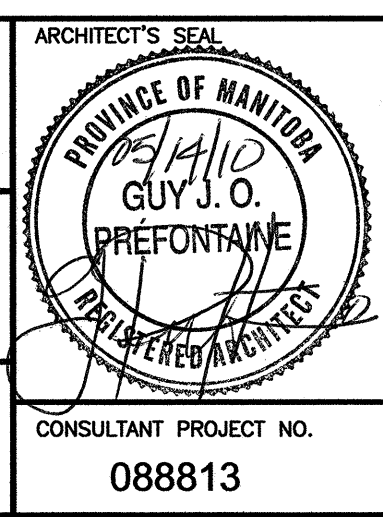
| NO. | REVISIONS | DATE | BY |
|-----|-------------------|----------|-----|
| 1 | ISSUED FOR TENDER | 10/05/14 | XXX |

| DESIGNED BY | DRAWN BY | CHECKED BY | APPROVED BY |
|-------------|----------|------------|-------------|
| | dk, jwf | | |

| LOCATION | APPROVED STRUCTURES | B.M. ELEV. |
|--------------------------------|---------------------|------------|
| SUPV. U/G STRUCTURES COMMITTEE | DATE | |

NOTE:
LOCATION OF UNDERGROUND STRUCTURES AS SHOWN ARE BASED ON THE BEST INFORMATION AVAILABLE BUT NO GUARANTEE IS GIVEN THAT ALL EXISTING UTILITIES ARE SHOWN OR THAT THE GIVEN LOCATIONS ARE EXACT. CONFIRMATION OF EXISTENCE AND EXACT LOCATION OF ALL SERVICES MUST BE OBTAINED FROM THE INDIVIDUAL UTILITIES BEFORE PROCEEDING WITH CONSTRUCTION.

| DESIGNED BY | DRAWN BY | CHECKED BY | APPROVED BY |
|-------------|----------|------------|-------------|
| | dk, jwf | | |



| DESIGNED BY | DRAWN BY | CHECKED BY | APPROVED BY |
|-------------|----------|------------|-------------|
| | dk, jwf | | |

THE CITY OF WINNIPEG
TRANSIT DEPARTMENT
SOUTHWEST RAPID TRANSIT CORRIDOR - STAGE 1
OSBORNE STATION & ASSOCIATED WORKS
ROOF PLAN AND DETAILS

| CITY DRAWING NUMBER | SHEET OF | CONSULTANT PROJECT NO. | CONSULTANT DRAWING NUMBER |
|---------------------|-----------|------------------------|---------------------------|
| B237-10- 72 | 72 OF 121 | 088813 | C5-A2001-T |