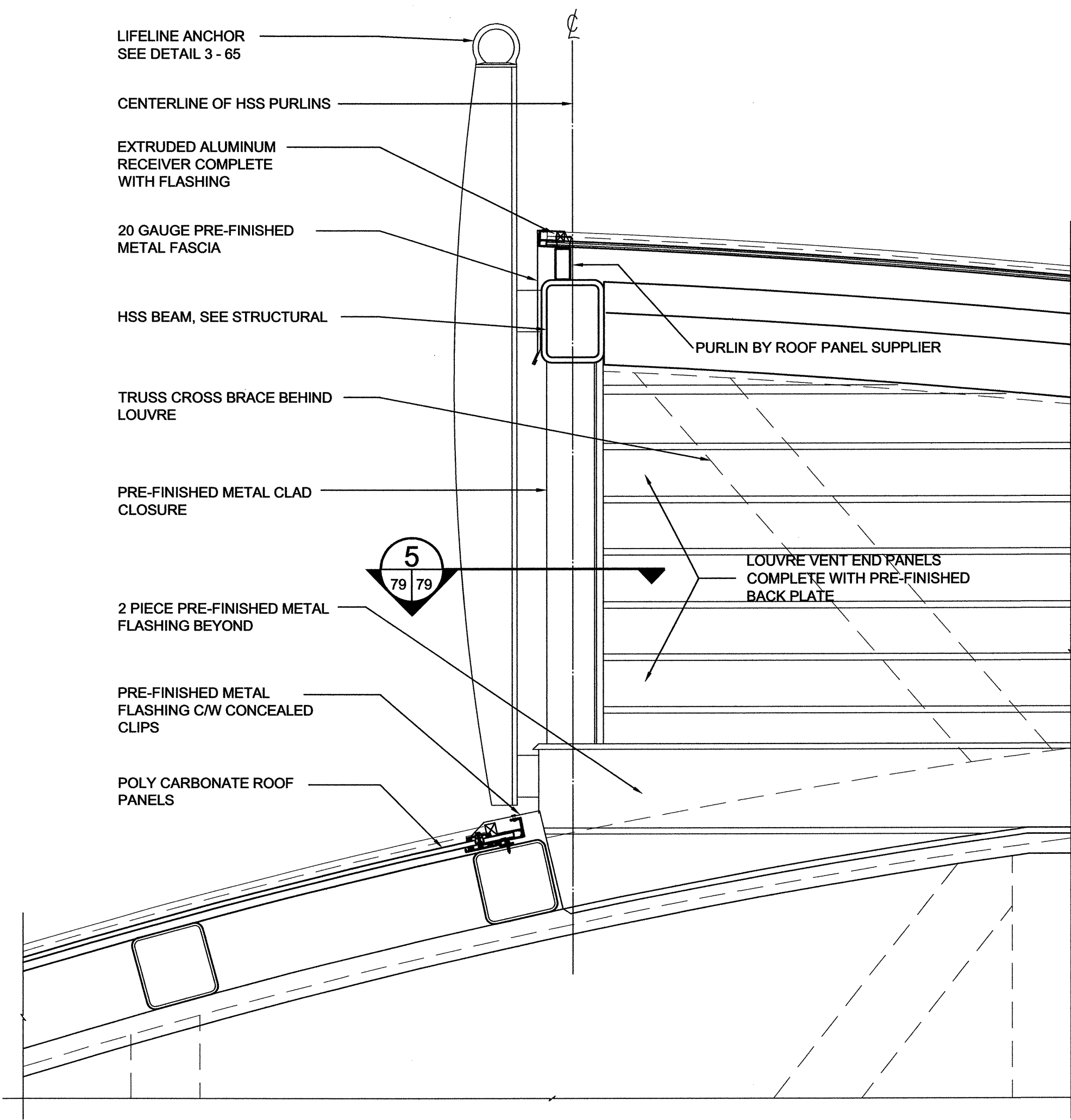
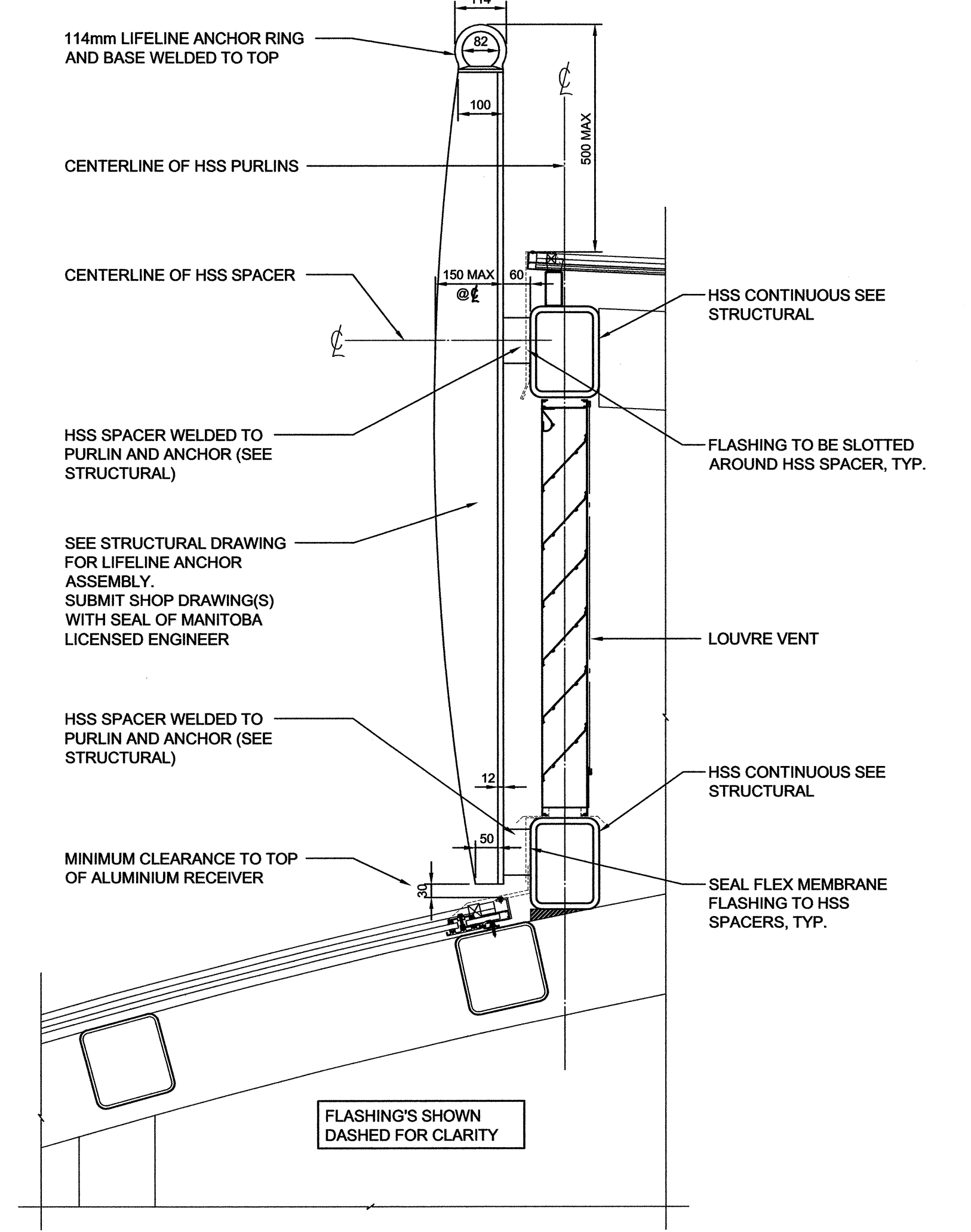


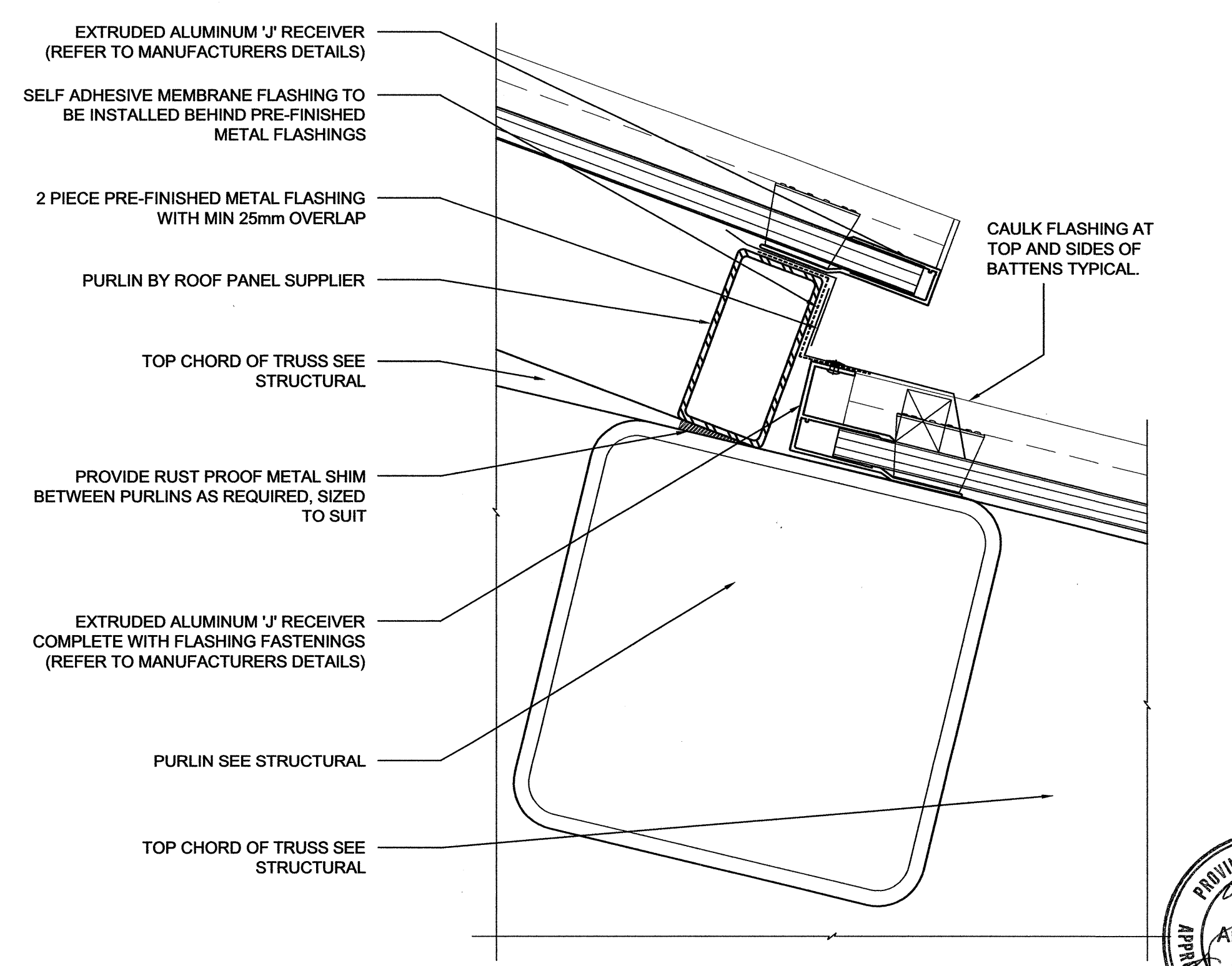
LOUVRE DETAIL 1
SCALE 1:10



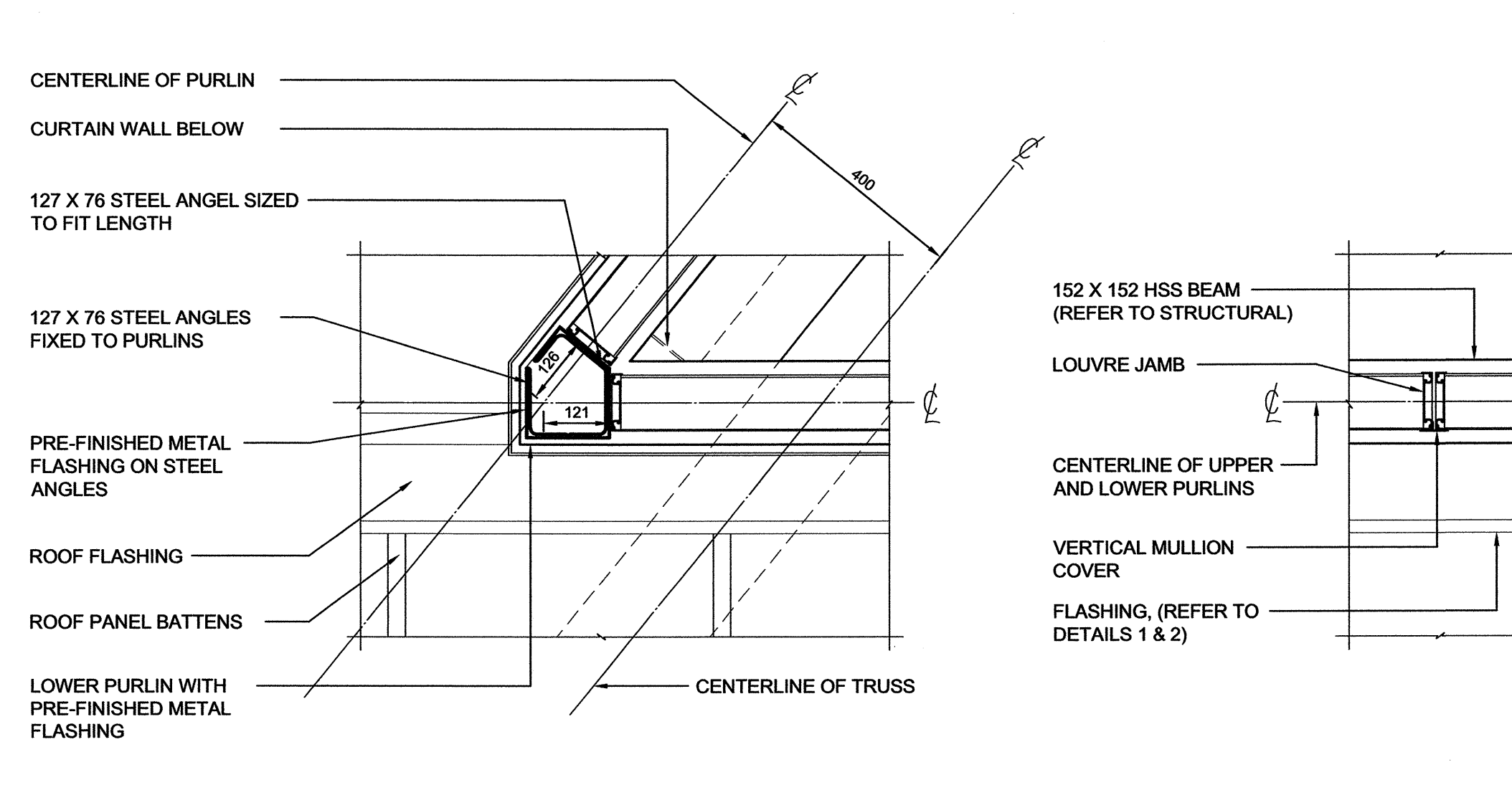
CLOSED LOUVRE 2
SCALE 1:10



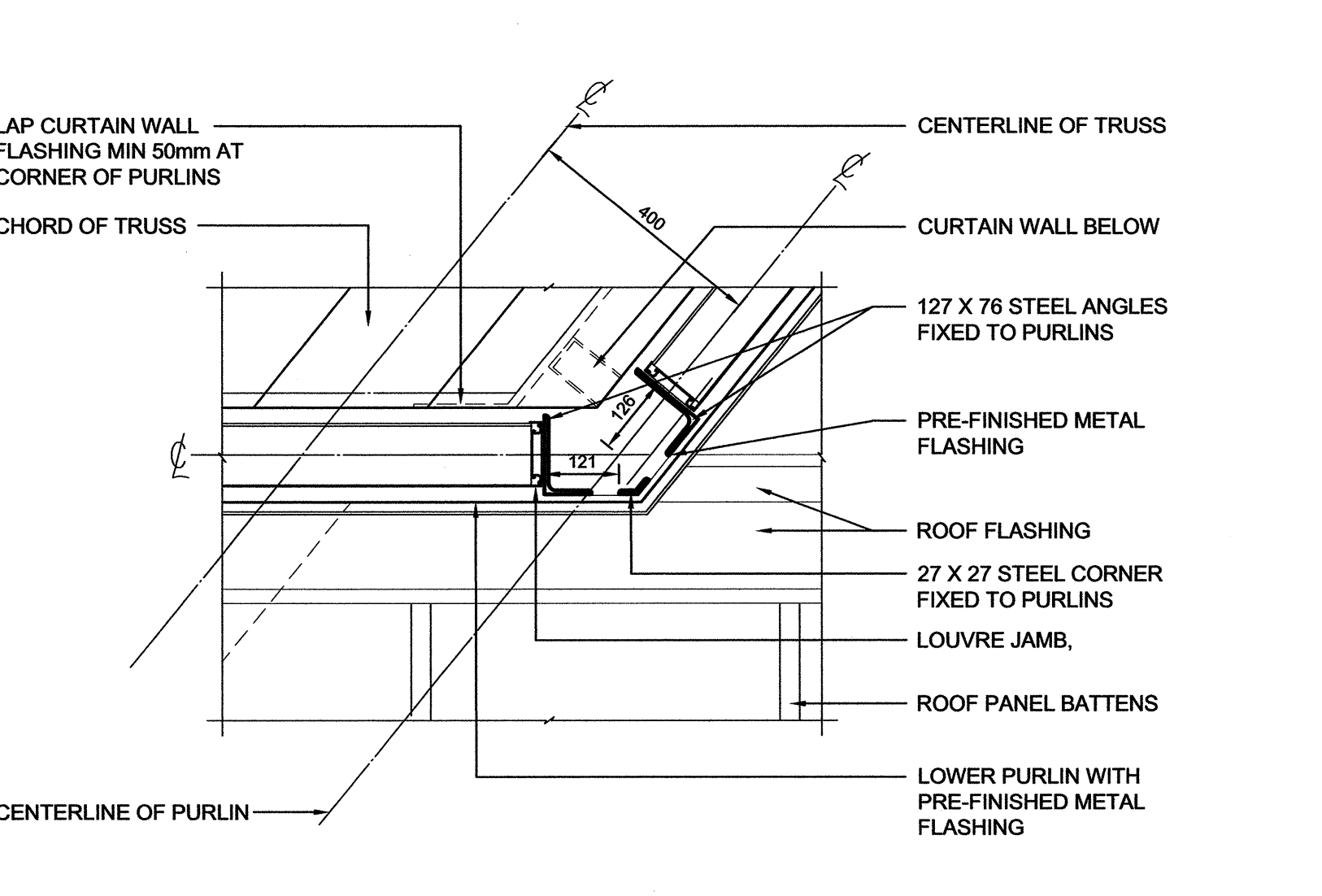
ANCHOR DETAIL 3
SCALE 1:10



ROOF LAP 4
SCALE 1:5



PLAN DETAIL 5
SCALE 1:10



ANCHOR DETAIL 3
SCALE 1:10

H:_2009\09193 Osborn BRT Station\Wd\C5-2208-9-1-roof details.dwg



LOCATION UNDERGROUND APPROVED STRUCTURES SUPV. U/O STRUCTURES COMMITTEE DATE		B.M. ELEV.	DESIGNED BY GUY J.O. PREFONTAINE
NOTE: LOCATION OF UNDERGROUND STRUCTURES AS SHOWN ARE BASED ON THE BEST INFORMATION AVAILABLE, BUT NO GUARANTEE IS GIVEN THAT ALL EXISTING UTILITIES ARE SHOWN OR THAT THE GIVEN LOCATIONS ARE EXACT. CONFIRMATION OF EXISTENCE AND EXACT LOCATION OF ALL SERVICES MUST BE OBTAINED FROM THE INDIVIDUAL UTILITIES BEFORE PROCEEDING WITH CONSTRUCTION.		CHECKED BY jwf	ARCHITECT'S SEAL GUY J.O. PREFONTAINE ARCHITECT
APPROVED BY		APPROVED BY	THE CITY OF WINNIPEG TRANSIT DEPARTMENT
HOR. SCALE as noted		HOR. SCALE as noted	SOUTHWEST RAPID TRANSIT CORRIDOR - STAGE 1 OSBORNE STATION & ASSOCIATED WORKS
VERTICAL		VERTICAL	MISCELLANEOUS ROOF DETAILS
DATE 2010/05/14		DATE 2010/05/14	CITY DRAWING NUMBER B237-10-79
DATE 2010/05/14		DATE 2010/05/14	SHEET 79 OF 121
CONSULTANT PROJECT NO. 088813		ORIGINAL SIGNED BY RANDY FINGAS DATE 2010/05/14	CONSULTANT DRAWING NUMBER C5-B2008-T

