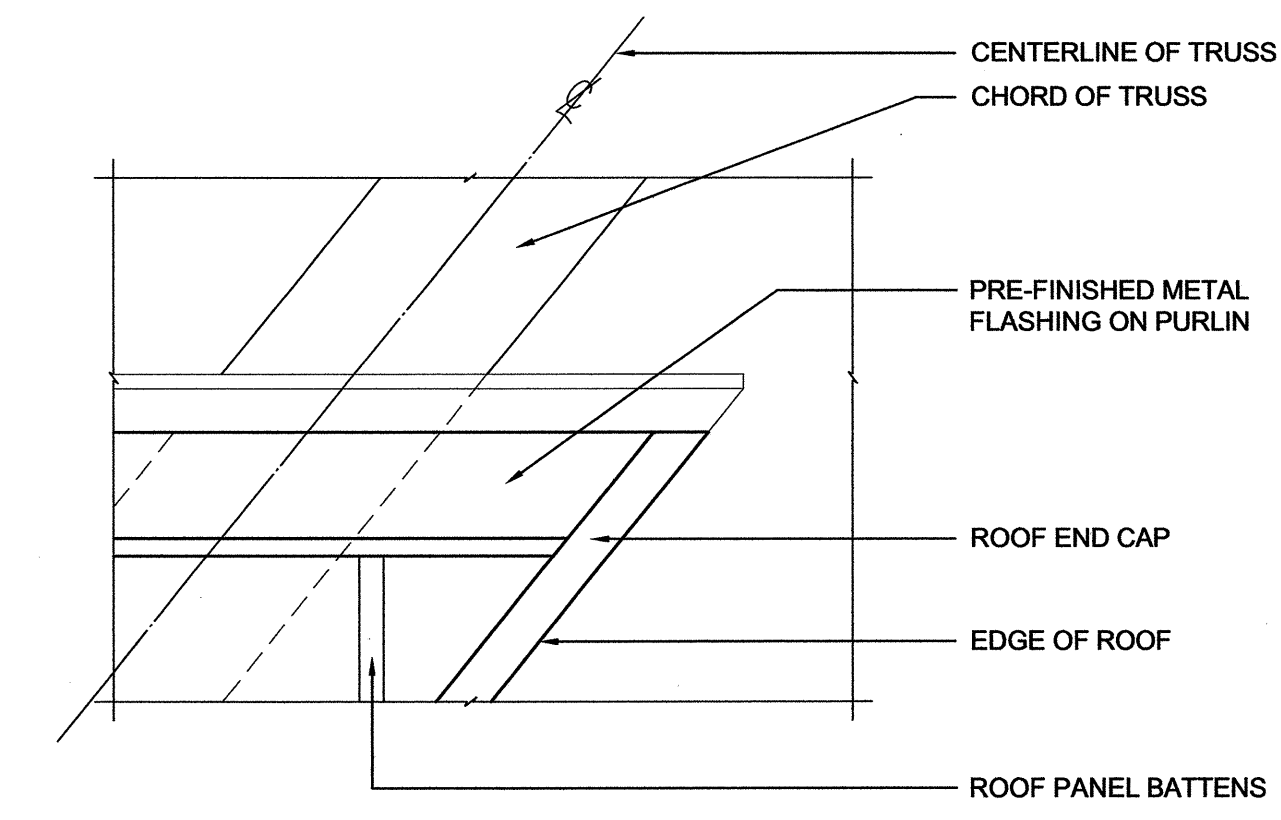
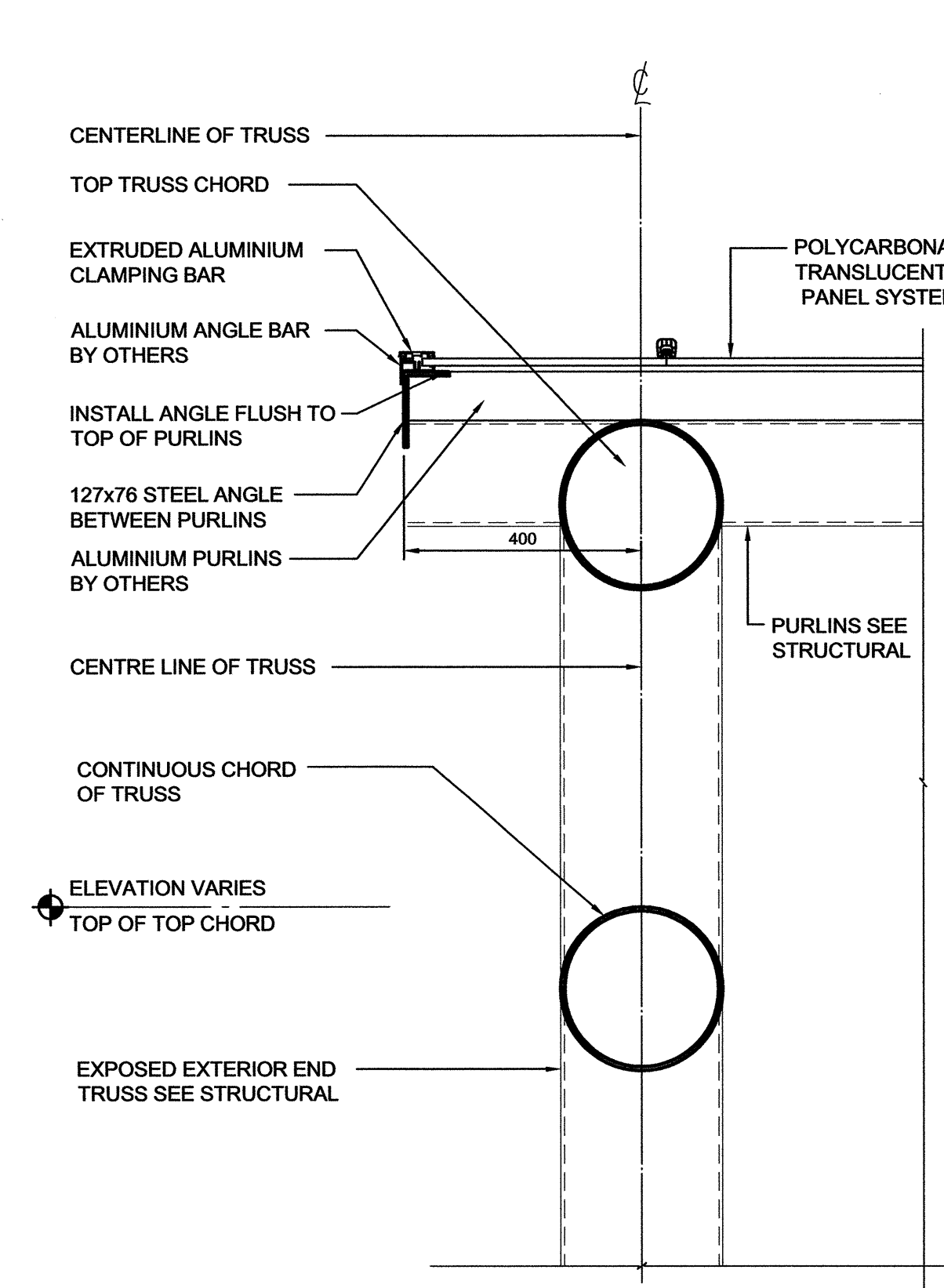


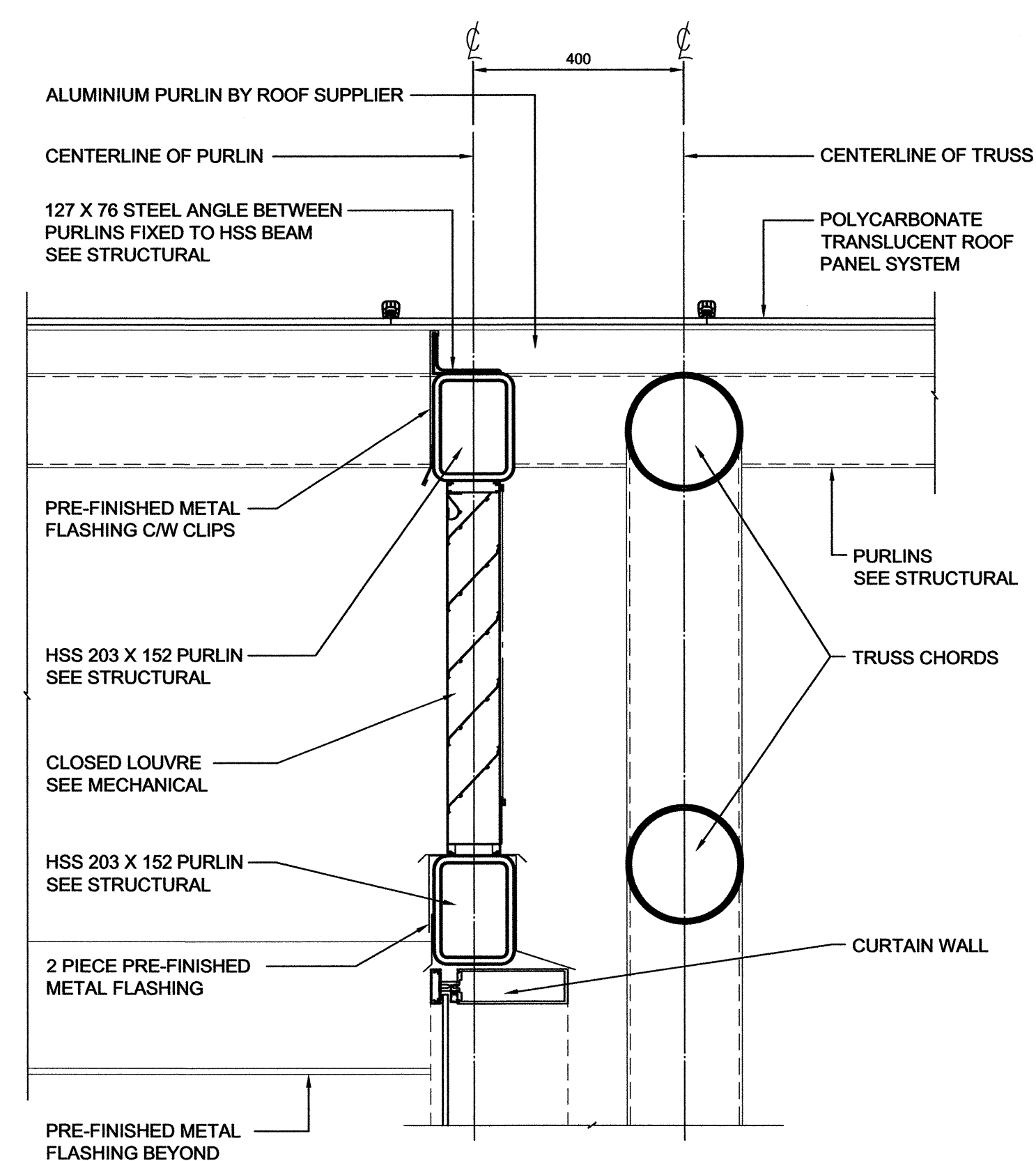
LOUVRE ELEV
SCALE 1:20



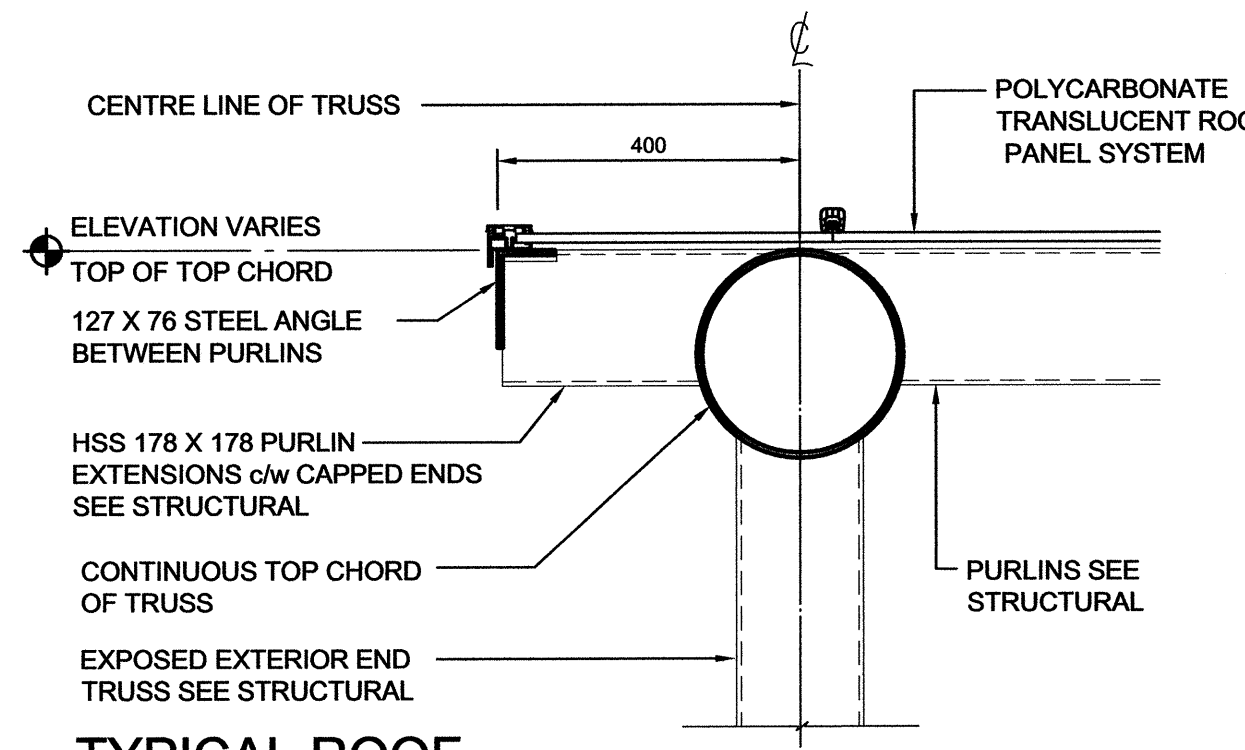
PLAN DETAIL
SCALE 1:10



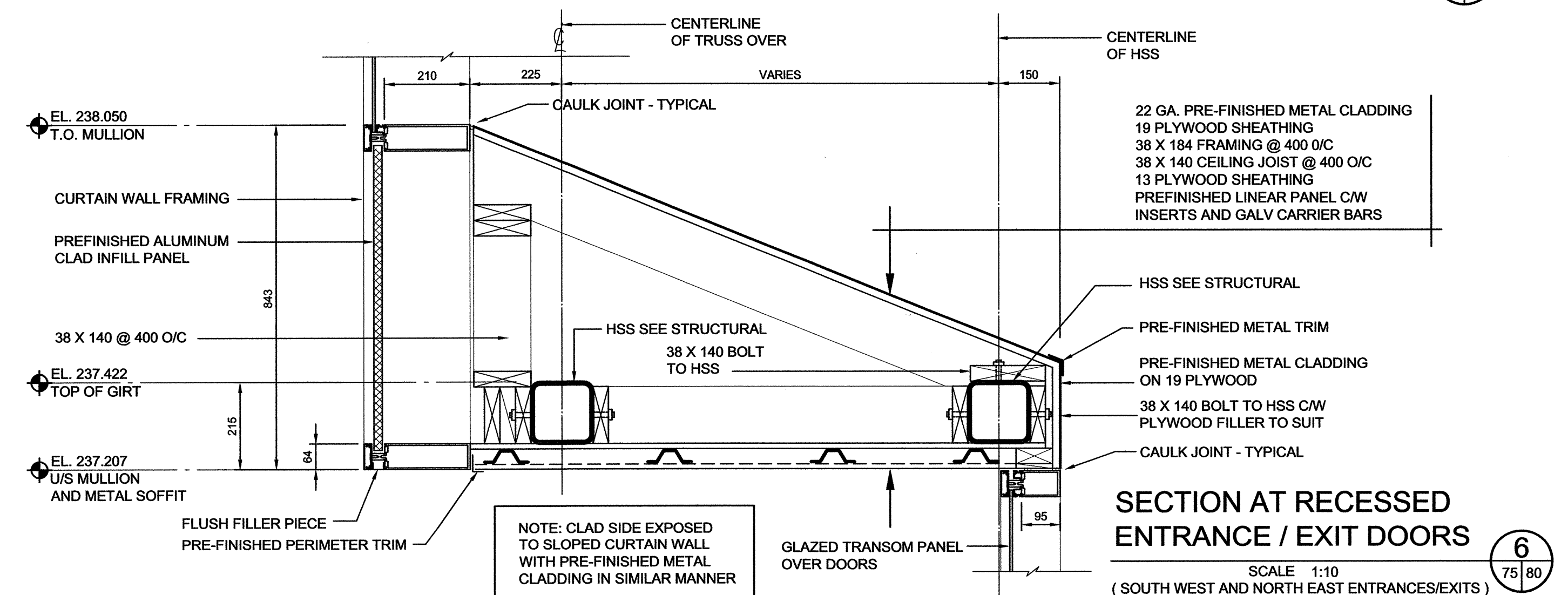
LOUVRE AND ROOF OVERHANG
SCALE 1:10



TYPICAL ROOF OVERHANG
SCALE 1:10



ROOF LAP OVERHANG
SCALE 1:10



SECTION AT RECESSED ENTRANCE / EXIT DOORS
SCALE 1:10
(SOUTH WEST AND NORTH EAST ENTRANCES/EXITS)

H:_2009\09193 Osborne BRT Station\Wd\C5-B2009-9-T-roof details.dwg



ASSOCIATE ARCHITECT:
Frisson Tokar
Architects + Landscape + Interior Design

LOCATION UNDERGROUND APPROVED STRUCTURES SUPV. U/O STRUCTURES COMMITTEE DATE NOTE: LOCATION OF UNDERGROUND STRUCTURES AS SHOWN ARE BASED ON THE BEST INFORMATION AVAILABLE BUT NO GUARANTEE IS GIVEN THAT ALL EXISTING UTILITIES ARE SHOWN OR THAT THE GIVEN LOCATIONS ARE EXACT. CONFIRMATION OF EXISTENCE AND DEPTH LOCATION OF ALL SERVICES MUST BE OBTAINED FROM THE INDIVIDUAL UTILITIES BEFORE PROCEEDING WITH CONSTRUCTION.	B.M. ELEV. DESIGNED BY DRAWN BY jwf dg CHECKED BY APPROVED BY HOR. SCALE as noted VERTICAL DATE 2010/05/14	garchitecture RELEASED FOR CONSTRUCTION ORIGINAL SIGNED BY RANDY FINGAS DATE 2010/05/14	ARCHITECT'S SEAL PROVINCE OF MANITOBA GUY J. O. PRÉFONTAINE CONSULTANT PROJECT NO. 088813
--	---	---	---

THE CITY OF WINNIPEG TRANSIT DEPARTMENT

Winnipeg

SOUTHWEST RAPID TRANSIT CORRIDOR - STAGE 1
OSBORNE STATION & ASSOCIATED WORKS

ROOF DETAILS

CITY DRAWING NUMBER: B237-10- 80
SHEET 80 OF 121
CONSULTANT DRAWING NUMBER: C5-B2009-T