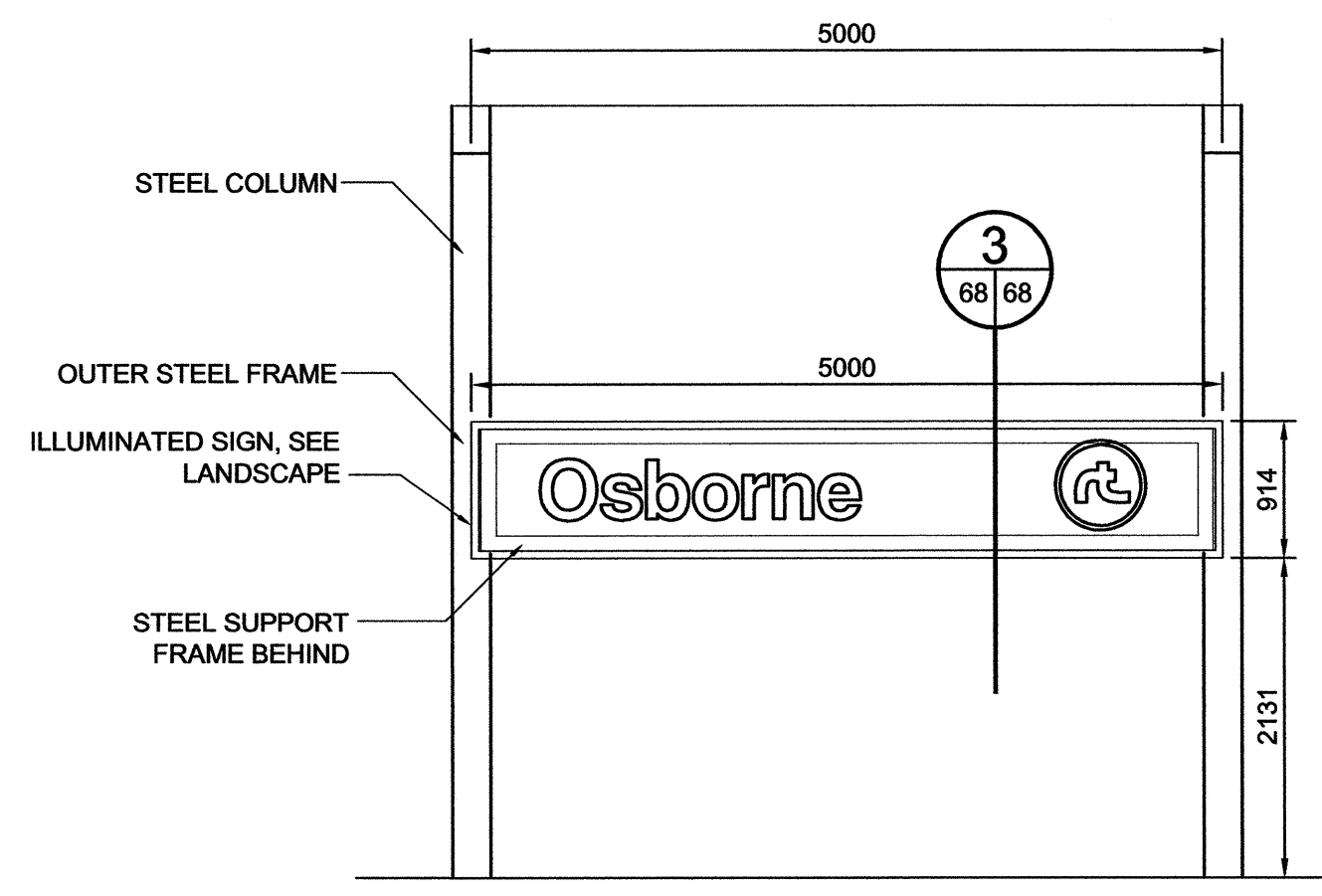
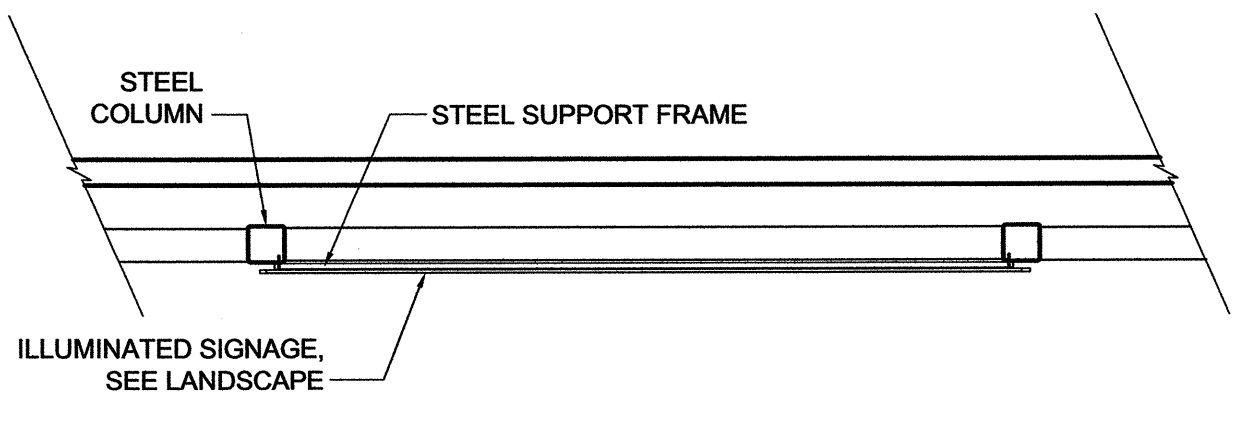


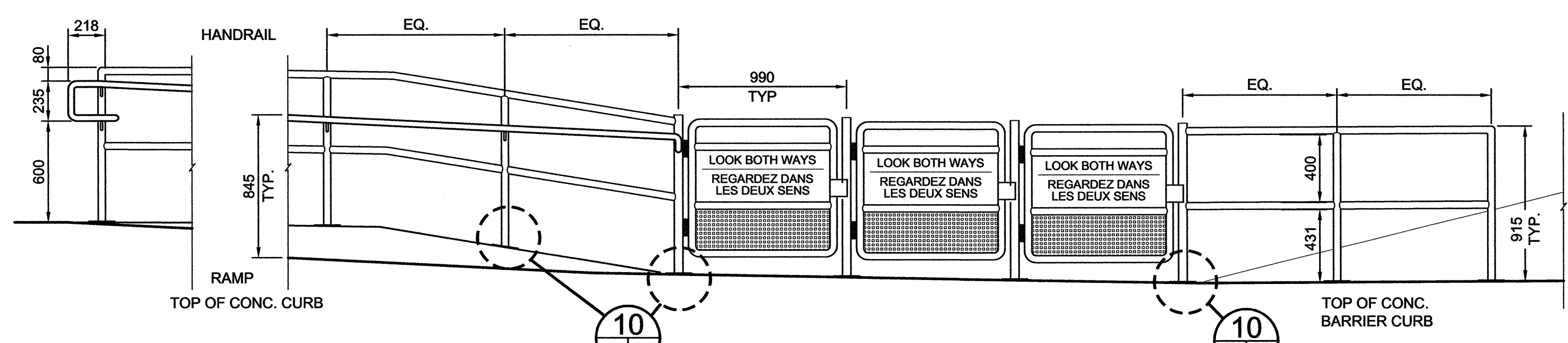
PLAN DETAIL
SCALE 1:50



ELEVATION
SCALE 1:50

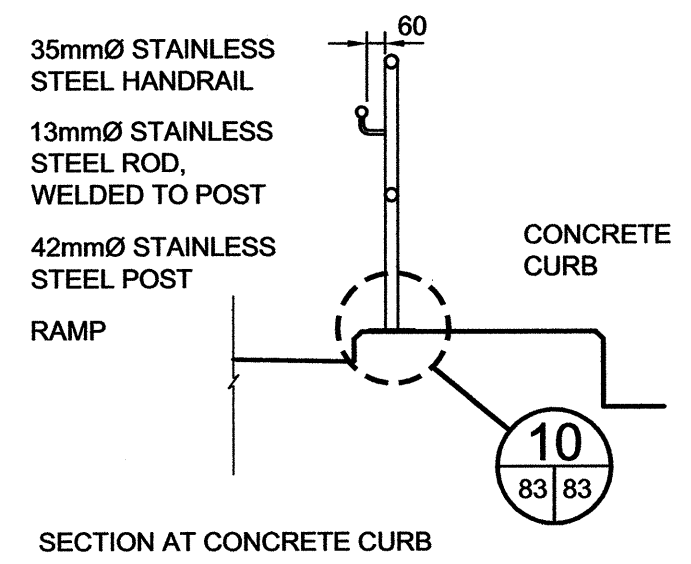


SECTION
SCALE 1:50

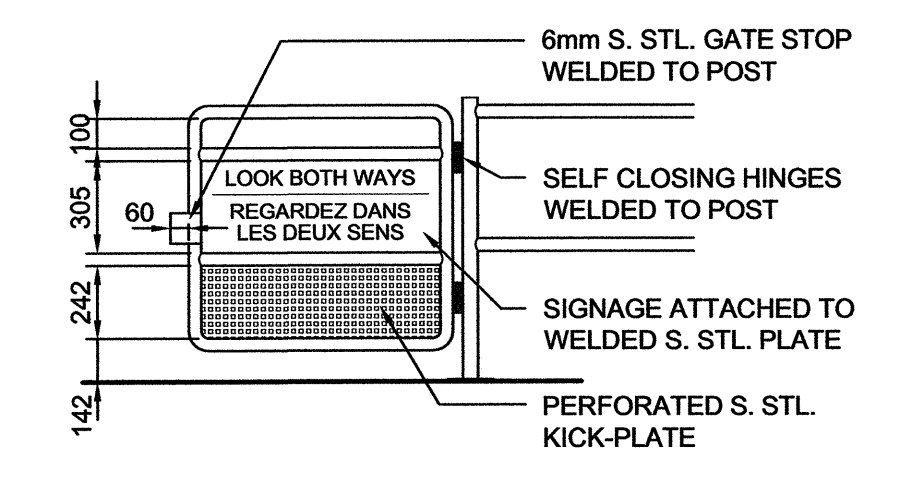


GATES & GUARDS WITH HANDRAIL
SCALE 1:25

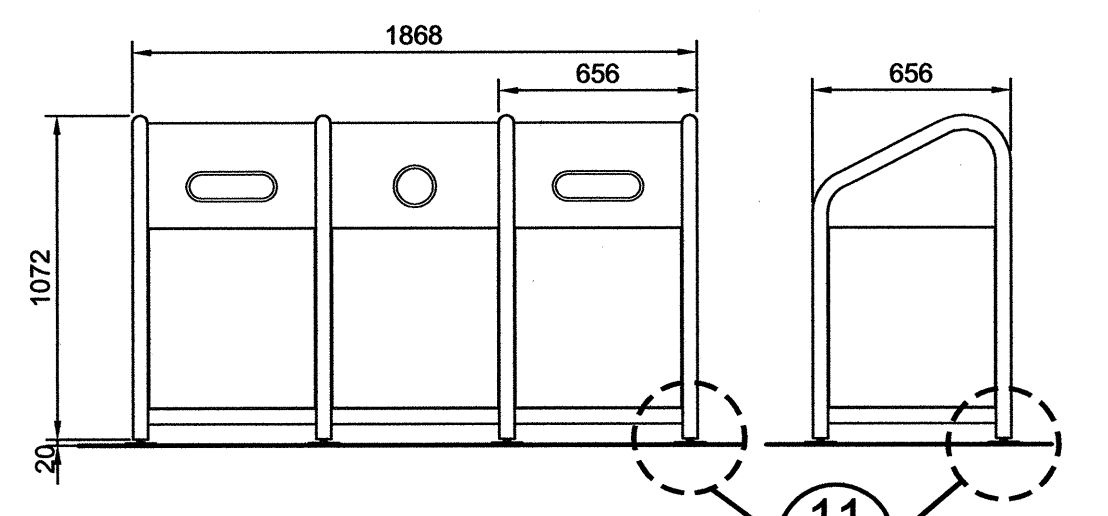
NOTES:
1. MANUFACTURER TO CONFIRM ON SITE ALL DIMENSIONS AND LOCATIONS PRIOR TO MANUFACTURE OF ALL RAILINGS.
2. MANUFACTURER TO SUPPLY SHOP DRAWINGS STAMPED BY A STRUCTURAL ENGINEER LICENSED TO PRACTICE IN MANITOBA.



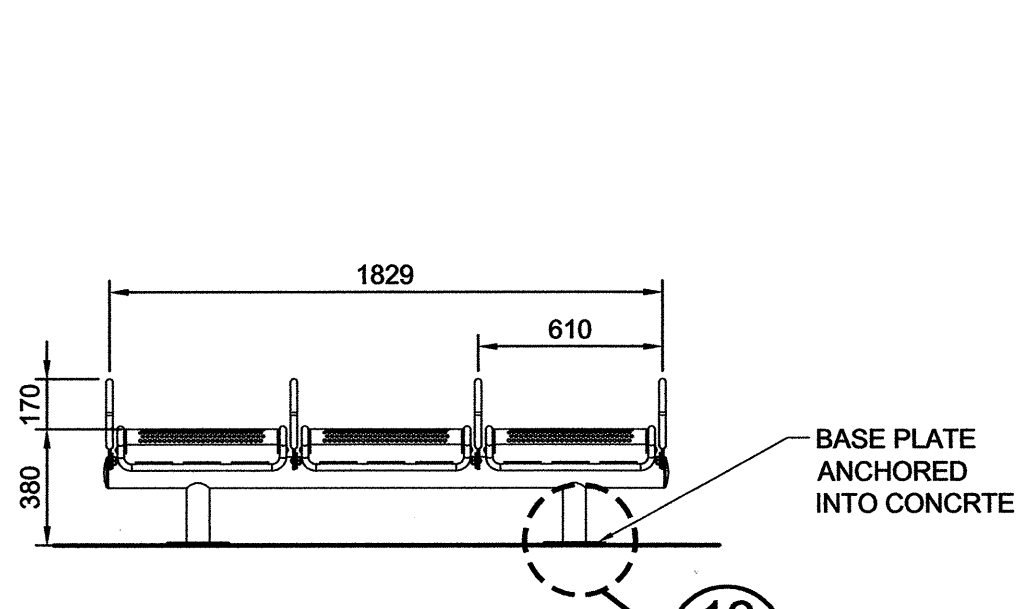
SECTION AT CONCRETE CURB



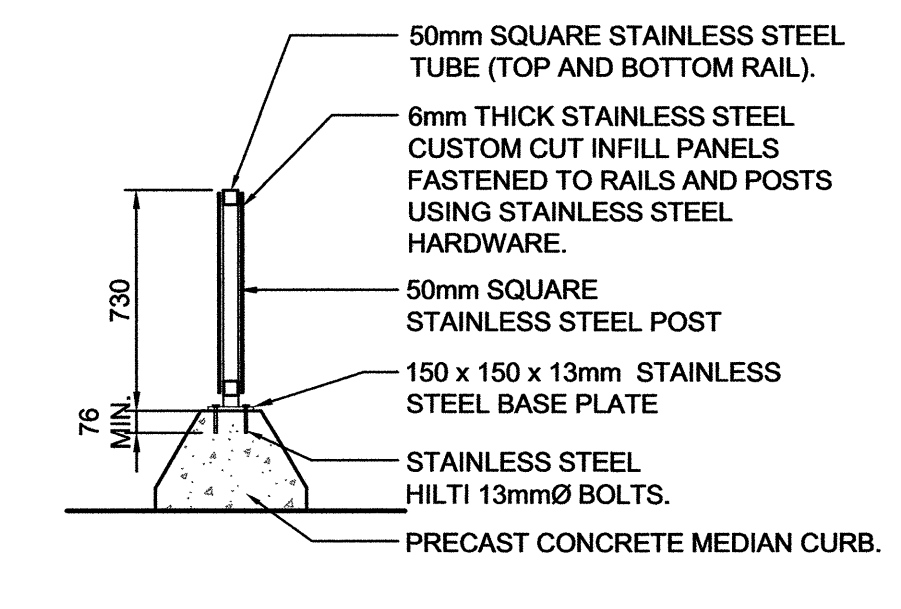
GATE DETAIL
SCALE 1:25



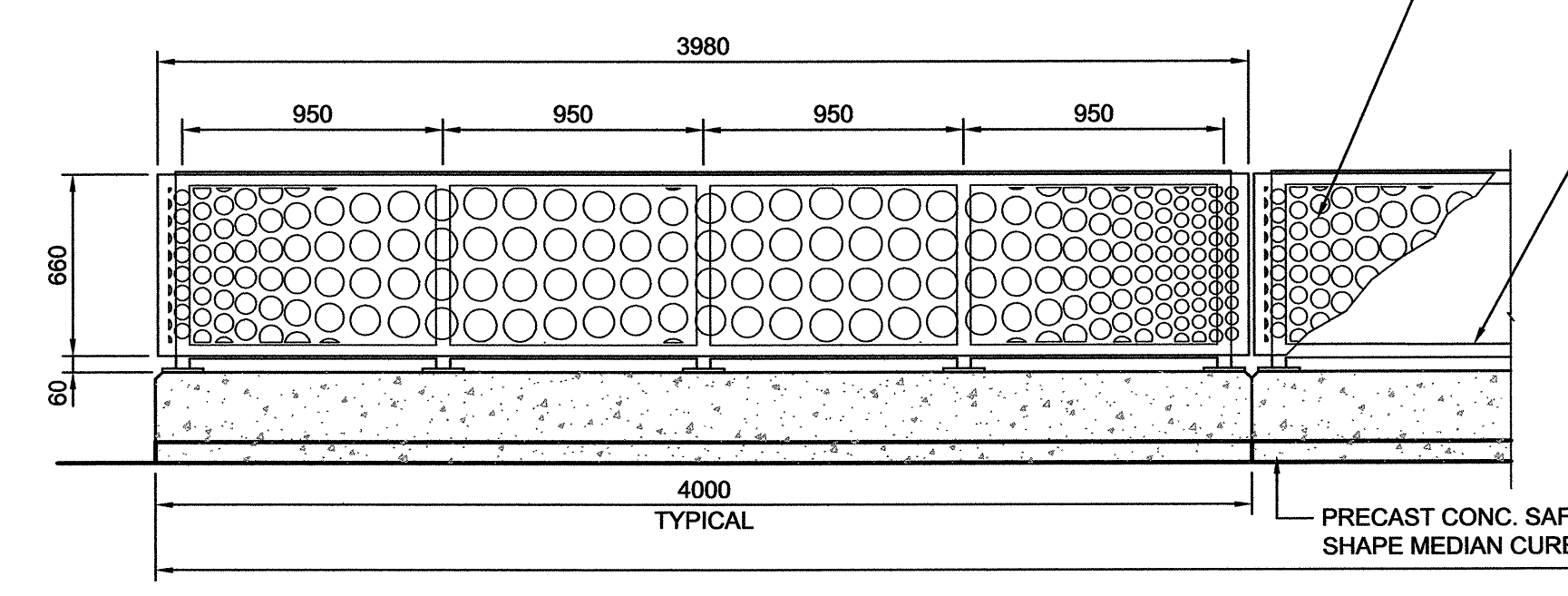
RECYCLE BINS
SCALE 1:25



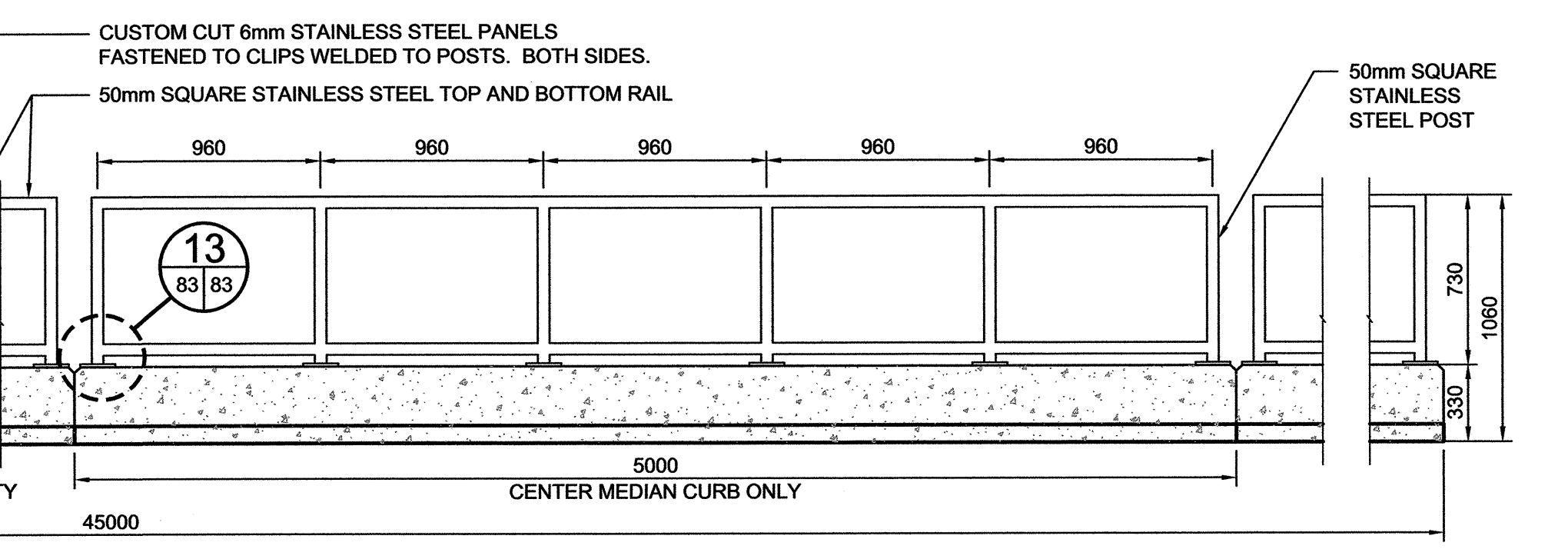
BENCH
SCALE 1:25



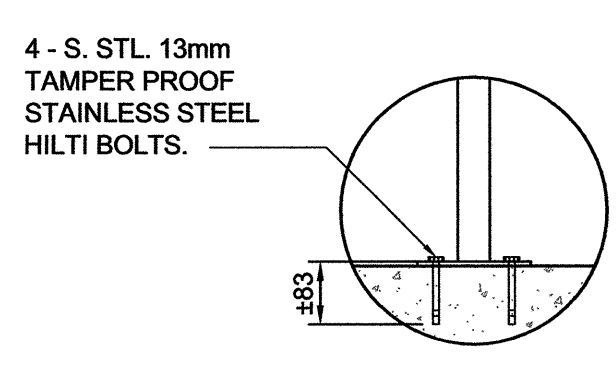
BARRIER DETAIL
SCALE 1:25



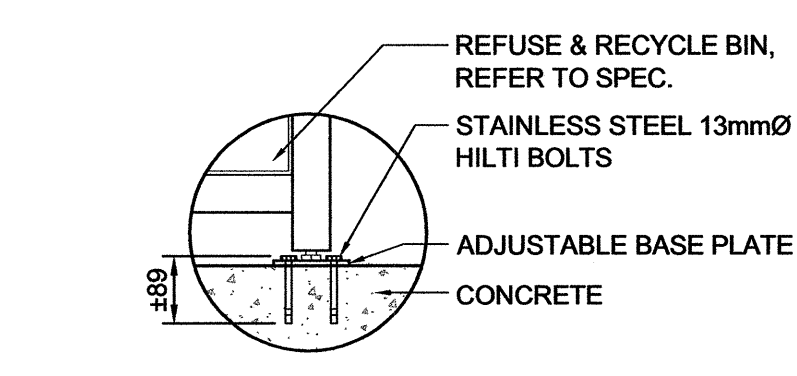
BARRIER ELEV.
SCALE 1:25



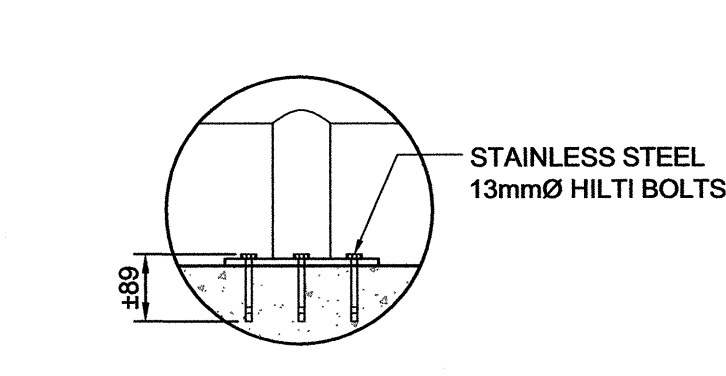
BARRIER ELEV.



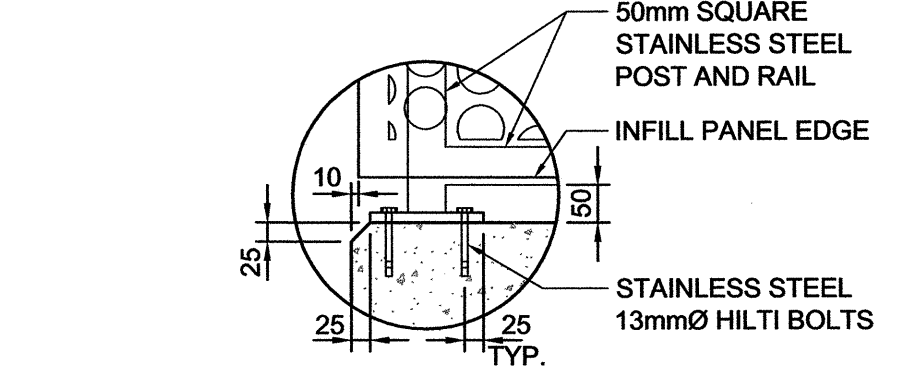
TYPICAL BASE
SCALE 1:10



BIN BASE
SCALE 1:10



BENCH BASE
SCALE 1:10



BARRIER BASE
SCALE 1:10



ASSOCIATE ARCHITECT:
Frisen Tokar
Architects + Landscape + Interior Design

LOCATION UNDERGROUND	APPROVED STRUCTURES	B.M. ELEV.
SUPV. U/G STRUCTURES COMMITTEE	DATE	
NOTE: LOCATION OF UNDERGROUND STRUCTURES AS SHOWN ARE BASED ON THE BEST INFORMATION AVAILABLE BUT NO GUARANTEE IS GIVEN THAT ALL EXISTING UTILITIES ARE SHOWN OR THAT THE GIVEN LOCATIONS ARE EXACT. CONFIRMATION OF EXISTENCE AND EXACT LOCATION OF ALL SERVICES MUST BE OBTAINED FROM THE INDIVIDUAL UTILITIES BEFORE PROCEEDING WITH CONSTRUCTION.		
1	ISSUED FOR TENDER	10/05/14 XXX
NO.	REVISIONS	DATE BY

DESIGNED BY	dk es re
DRAWN BY	
CHECKED BY	
APPROVED BY	
HOR. SCALE	as noted
VERTICAL	
DATE	06/05/2010

gpp architecture
DILLON CONSULTING
RELEASED FOR CONSTRUCTION
ORIGINAL SIGNED BY RANDY FINGAS
DATE 2010/05/14

THE CITY OF WINNIPEG
TRANSIT DEPARTMENT

Winnipeg

SOUTHWEST RAPID TRANSIT CORRIDOR - STAGE 1
OSBORNE STATION & ASSOCIATED WORKS

INTERIOR ELEVATIONS & DETAILS

CITY DRAWING NUMBER B237-10-83
SHEET 83 OF 121
CONSULTANT PROJECT NO. 088813
CONSULTANT DRAWING NUMBER C5-A2012-T

H:_2009\09\93 Osborne BRT Station\Wd\C5-A2012-T-interior elevations - details.dwg