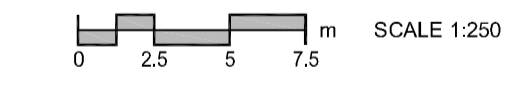
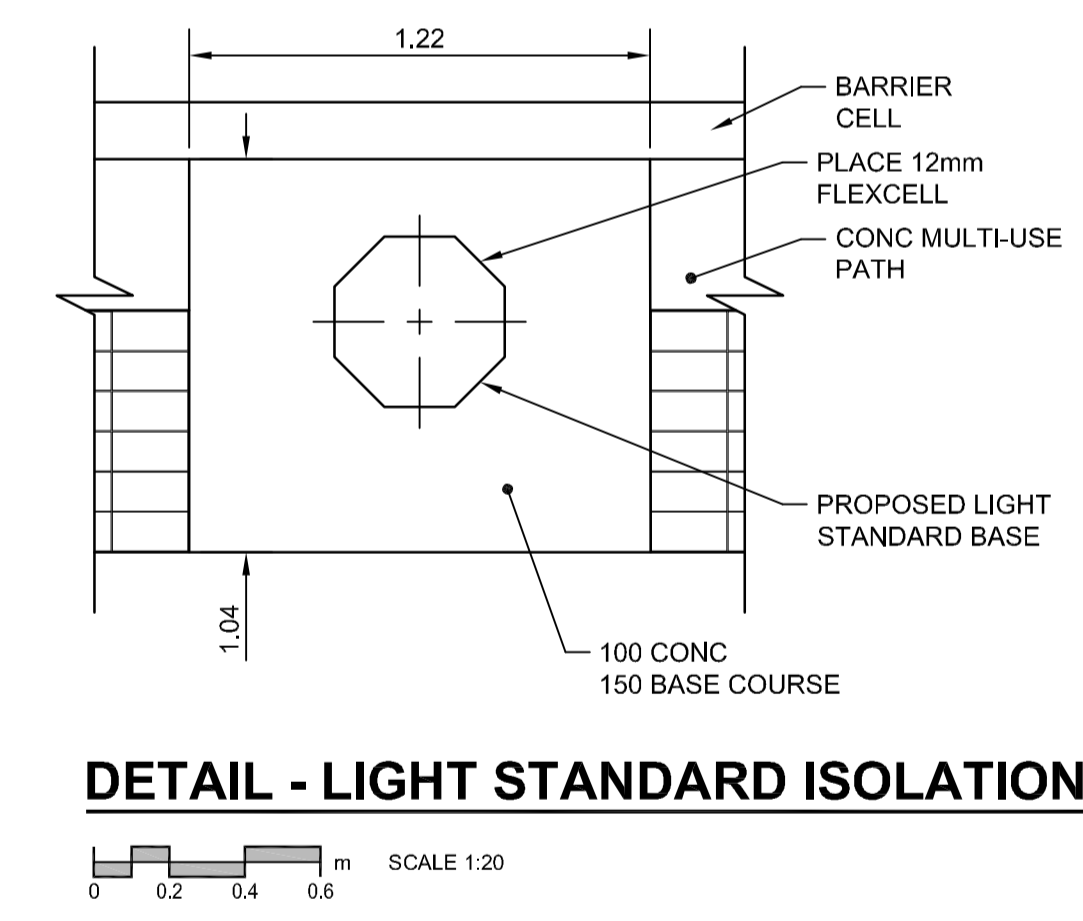
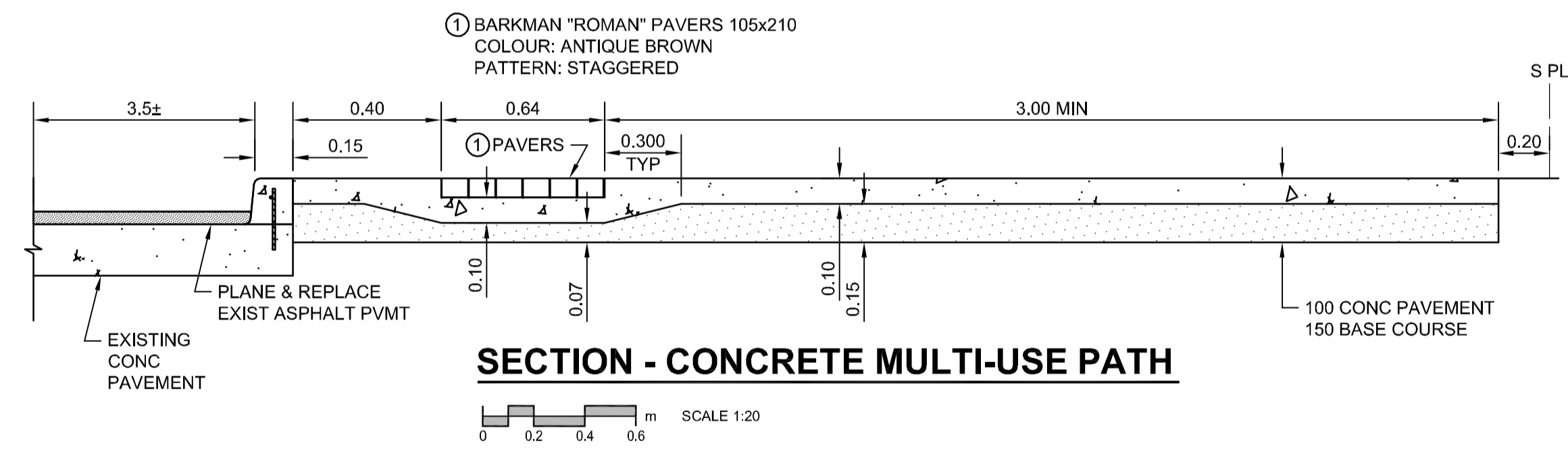
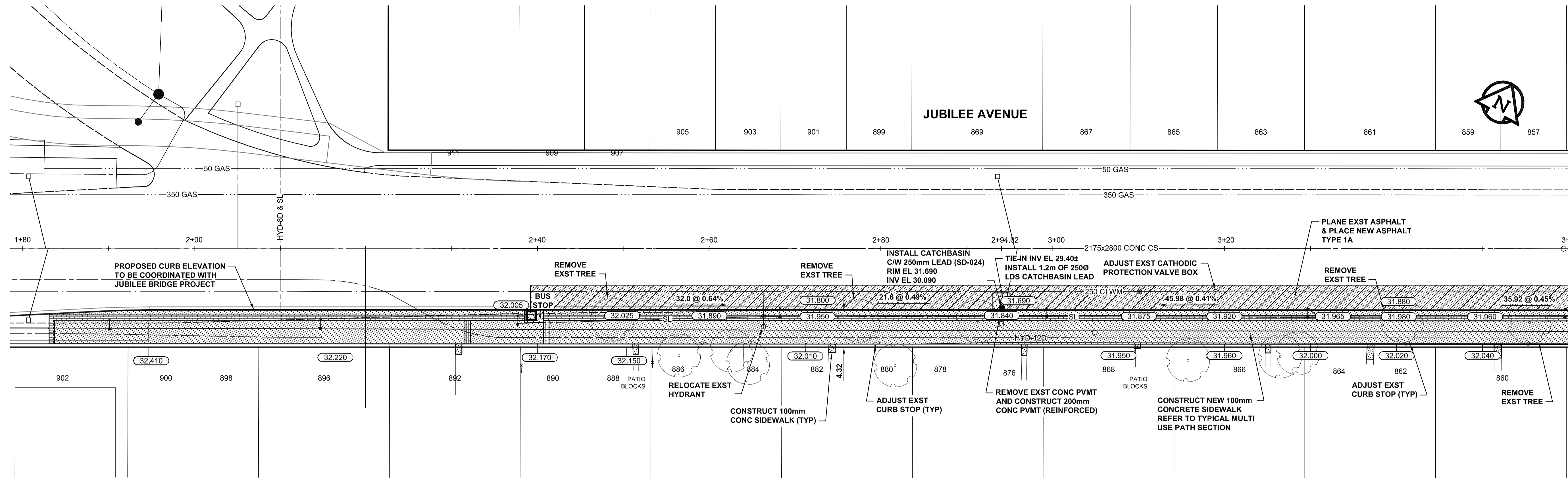


A1 SIZE 23.4" x 33.1" (594mm x 841mm)

PLOT: 10/06/08 4:49:15 PM

AECOM FILE NAME: 060144303_05-CT1001_RX.dwg Saved By: cooperkd



METRIC
WHOLE NUMBERS INDICATE MILLIMETRES
DECIMALIZED NUMBERS INDICATE METRES

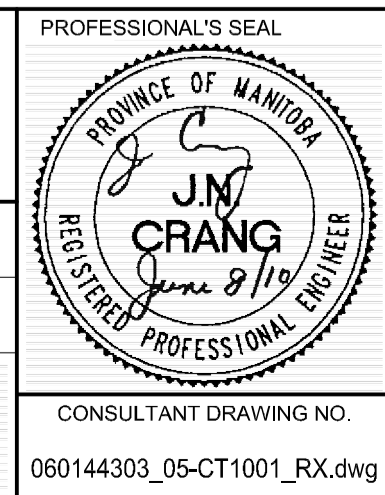
AECOM
Certificate of Authorization
AECOM Canada Ltd.
No. 4671 Date: *June 8/10*
BID OPPORTUNITY NO. 307-2010

---	GAS	○	MANHOLE	●	CONCRETE PAVEMENT	▨	LOCATION APPROVED	BM -
---	MTS	□	CATCH BASIN / CATCH PIT	■	ASPHALT PAVEMENT	▨	UNDERGROUND STRUCTURES	ELEV -
---	HYDRO	△	CURB INLET WITH BOX	▲	CONC. SIDEWALK/MEDIAN	▨		
---	CATV/FO	○	TREE	○	PAVING STONE	▨		
---	TRAFFIC SIGNALS/PIT	⊕	TEST HOLE	⊕	GRAVEL	▨		
---	LAND DRAINAGE SEWER	⊕	PROPERTY LINE	---	RAMP CURB	▨		
---	SANITARY/COMBINED SEWER	⊕	SURVEY BAR	---	PLANING/REMOVAL	▨		
---	SSP/DCP	⊕	FENCE	---				
---	WATERMAIN	---	BOC/EOPAVT	---				
---	SUBDRAIN	---	ELEVATION	---				
---	DITCH	---	TRAFFIC SIGN	---				
---	EXISTING	---	LEGEND - PLAN	---	EXISTING	---	LEGEND - PLAN	---
---	NEW	---	LEGEND - PLAN	---	NEW	---	LEGEND - PLAN	---

NOTE:
LOCATION OF UNDERGROUND STRUCTURES AS SHOWN ARE BASED ON THE BEST INFORMATION AVAILABLE. BUT NO GUARANTEE IS GIVEN THAT ALL EXISTING UTILITIES ARE SHOWN OR THAT THE GIVEN LOCATIONS ARE EXACT. CONFIRMATION OF EXISTENCE AND EXACT LOCATION OF ALL SERVICES MUST BE OBTAINED FROM THE INDIVIDUAL UTILITIES BEFORE PROCEEDING WITH CONSTRUCTION.

0	ISSUED FOR CONSTRUCTION	10/06/09	KLC
NO.	REVISIONS	YYMMDD	BY

DESIGNED BY	BC	CHECKED BY	JC
DRAWN BY	BC/KLC	APPROVED BY	TGS
HOR. SCALE	1:250	RELEASED FOR CONSTRUCTION	<i>[Signature]</i>
VERT. SCALE	1:10	DATE	<i>June 8, 2010</i>
DATE	10/06/09	CONSULTANT DRAWING NO.	060144303_05-CT1001_RX.dwg



THE CITY OF WINNIPEG
PUBLIC WORKS DEPARTMENT
ENGINEERING DIVISION

2010 ACTIVE TRANSPORTATION/ INFRASTRUCTURE STIMULUS PROGRAM

**JUBILEE AVENUE
PEMBINA HIGHWAY TO
COCKBURN STREET S
MULTI-USE PATH**

CITY DRAWING NUMBER: W-377-19
SHEET 19 OF 22
DRAWING No. 19 REV 0