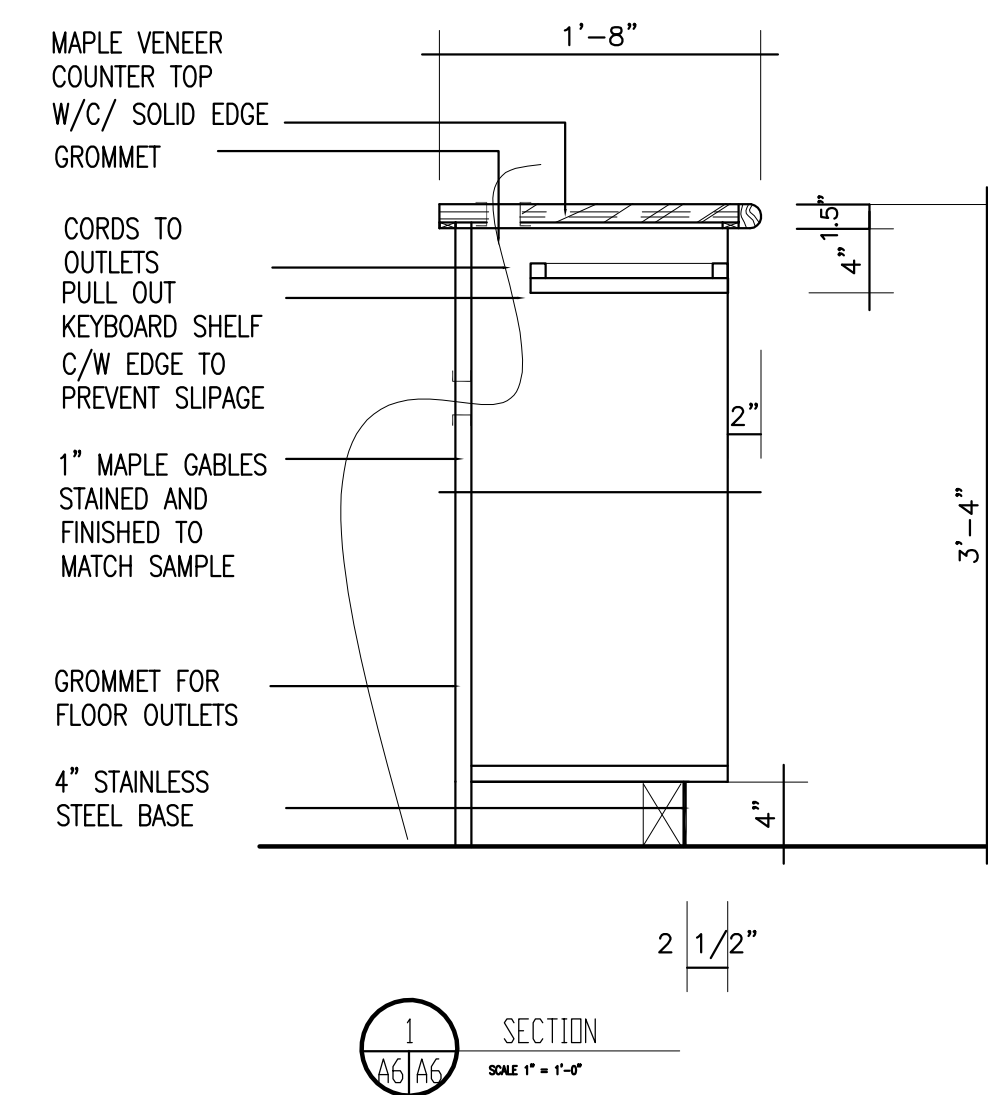
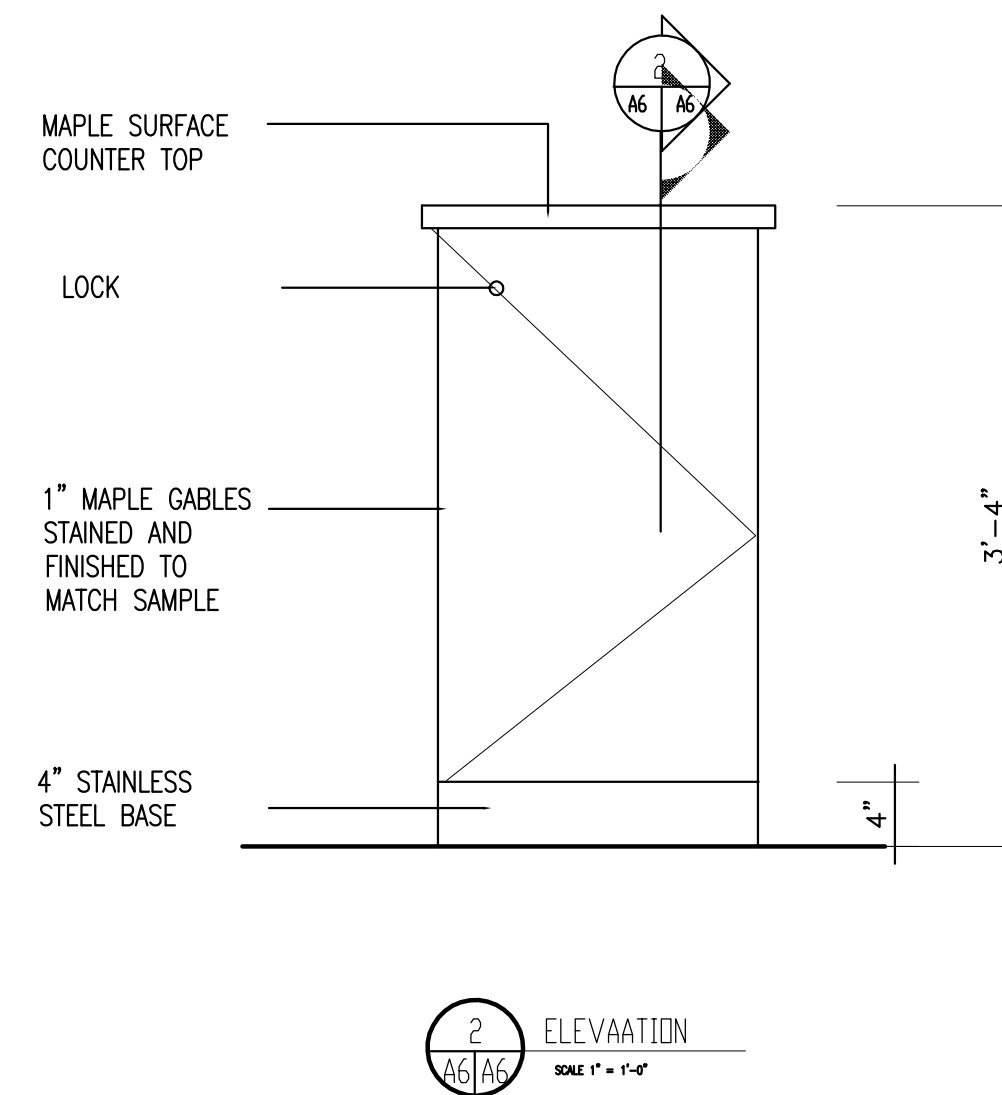
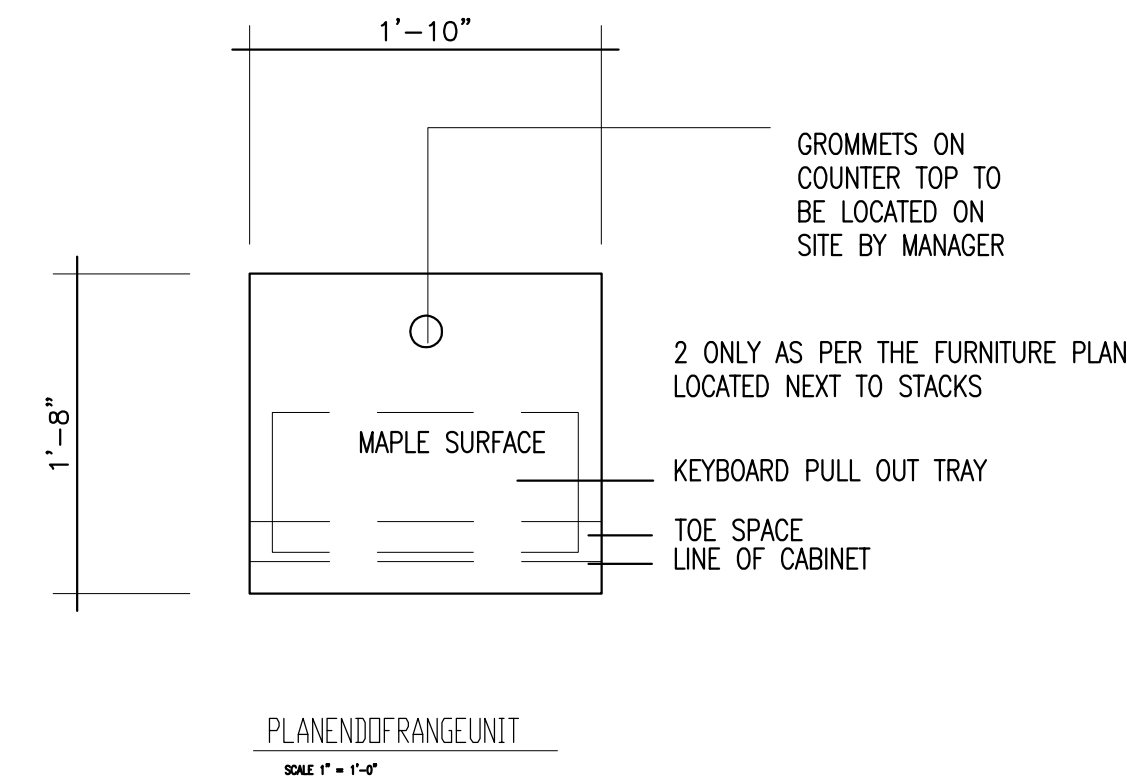


MILLWORK NOTES

1. STANDARDS
AWMAC PREMIUM GRADE MILL STANDARD LATEST EDITION
2. CONSTRUCTION
A) DRAWER SIDES, BACKS, AND BOTTOMS TO BE 1/2" ROTARY CUT BIRCH
B) ALL EXTERIOR SURFACES (INCLUDING TOPS, GABLES, BOTH SIDES OF DRAWER AND DOOR FRONTS TO HAVE 3M PVC EDGING AS NOTED FOR SPECIFIC MILLWORK.
C) ALL SUPPORT BLOCKING WITHIN MILLWORK TO BE CONCEALED FROM VIEW.
D) ALL UNITS TO BE FIRMLY SCRIBED WITHIN PARTITIONS.
E) ALL CONSTRUCTION TO BE 1" PLYWOOD OR PARTICAL BOARD AS SPECIFIED.
3. SHOP DRAWINGS
SHOP DRAWINGS TO BE DONE AND SENT TO DESIGNER FOR APPROVAL PRIOR TO CONSTRUCTION.
4. MILLWORK HARDWARE
DRAWER GLIDES KNAPP & VOGT 1483 (UP TO 150 LB. LOAD RATING. HEAVY DUTY FULL EXTENSION) DRAWERS OVER 6" HIGH & PRINTER SHELF DRAWERS 1248 (UP TO 50 LB. LOAD RATING, DRAWERS UNDER 6" HIGH
GROMMET HAFELE 429.94.212 (56MM) CHROME POL. ZINC DIE CAST
HINGES HETTICK CONCEALED HINGES, NO 790 NICKEL FINISH 170 DEGREES.
STAINLESS STEEL HANDLE HAFELE MODEL: 117.05.630
METAL SHELF SUPPORT AND STANDARDS K & V ZINC RECESSED INTO GABLES ENDS
GUIDES FOR GABLE ENDS
GUIDES FOR GABLE ENDS
MFG: HAFELE
MODEL: 650.194.324
COLOR: BLACK
SUPPORT LEG & DISC BASE
MFG: HAFELE
MODEL: 635.35.271 AND 635.35.200
SIZE: 4.5" DIA HEIGHT 27 1/2"
COLOR: SILVER/ALUMINUM POL 9006
ROD FOR FOOT REST IN LIBRARY
RICHELIEU: LENGTH TO MATCH MILLWORK
COLOR: CHROME 1" DIA. STEEL ROD
DELUXE OUTSIDE BRACKET
MODEL #: 3625-140
CHROME, 1" DIA

MATERIAL LIST

- CARPET TILE
MFR: SHAW CONTRACT GROUP
SERIES: ZEALOUS TILE 59516
COLOR: CONSPICUOUS 16750
FIBER: EXO SOLUTIONS NYLON
GAUGE: 1 /12
WEIGHT: 24 OZ
DYE METHOD: 100% SOLUTION
DYED
INSTALLATION METHOD: 1/4 TURN
- CARPET BASE TO MATCH CARPET TILE
SIZE: 4" HIGH WITH BOUND EDGE DETAIL
- RUBBER FLOOR
MFR: MONDO AMERICA INC
SERIES: HARMONI LISSE/SMOOTH
COLOR: CARMEL H16
WEIGHT: 3MM
- RUBBER BASE
MFR: ROPPE WALL BASE
SERIES: PINNACLE TYPE TS 1/8"
COLOR: 193 BLACK BROWN
- CERAMIC TILE
TERRA DI VELLUTO ARRONE SCURO
WATER ABSORPTION
BENDING STRENGTH
FROST RESISTANCE
CHEMICAL RESISTANCE
STAIN RESISTANCE
AVERAGE COEFFICIENT OF SLIP RESISTANCE
SIZE: 24" X 12" X
BASE AT TILE TO BE 4" H
MATCHING CERAMIC TILE
- GROUT
MFR: MAPEI
COLOR: 10 BLACK
- SOLID SURFACE COUNTER TOP
MFR: DIMASTONE
COLOR: BEACHSAND P9110
SIZE: 3/4" TH
- PARTICLE BOARD
MFR: PANOLAM
SERIES: Z-CORE
SIZE: 1" THICK
COLOR: CABINET ALMOND S402
PVC 3MM EDGING TO MATCH
- PARTICLE BOARD CORE MIN 45 LBS. DENSITY CONFORMING TO ANSI A208.1 - 1999 1-M-3 AND IS TECO TESTED PER ASTM D-1037 VENEER TO BE HAND SELECTED FLAT SLICED BOOK MATCHED VENEER TO BE BIRDS EYE MAPLE A FACE 10M PAPER BACK VENEER APPLIED TO TOP AT MILLWORKSHOP
- 20 GA T 304 #4 STAINLESS STEEL
GLUED TO SUPPORT
XL BUFF - SIMILAR TO A MIRROR FINISH
#4 - ST ST WITH A STRAIGHT GRAIN
100 MM BASE BOARD
- TRANSITION EDGE BETWEEN CERAMIC TILE AND CARPET
MFR: SCHLUTER
SERIES: RENO V
MODEL: AEVT 100 B30
FINISH: ANODIZED ALUMINUM
SIZE: 3/8", 1 3/8"
- PAINT TYPE 1
MFR: ICI
COLOR: BELGIUM LACE 82YY 85/038
FINISH: FLAT
- PAINT TYPE 2
MFR: ICI
COLOR: CAMELCOAT 20YY 43/ 200
FINISH: EGGSHELL
- PAINT TYPE 3
MFR: ICI
COLOR: CANNASBACK 10YY 23/ 184
FINISH: EGGSHELL
- PAINT TYPE 4
MFR: ICI
COLOR: FOREST BLACK 30YY 10/ 038
FINISH: EGGSHELL
- PAINT TYPE 5
MFR: ICI
COLOR: MANUSCRIPT 40YY 60/ 103
FINISH: EGGSHELL
- PAINT TYPE 6
MFR: ICI
COLOR: BURMESE BEIGE 40YY 51/ 084
FINISH: EGGSHELL
- MATERIAL FOR 6 ONLY COLUMN COVERS
MFR: ACROLYN
COLOR: MISSION WHITE 933



THE CITY OF WINNIPEG
CIVIC BUILDINGS DEPARTMENT

NO.	DATE	DESCRIPTION	BY
-----	------	-------------	----

DRAWN BY
PRINTING DATE

Drawings and specifications, as instruments of service are the property of the designer, the copyright in the same being reserved to them. No reproduction may be made without the permission of the designer, and All prints to be returned.
The contractor is to verify dimensions and data noted herein with conditions on the site and is held responsible for reporting any discrepancy to the designer for adjustment.



13 Rosewarne. Avenue WINNIPEG, MB Canada R2M 0V8
204 233 9159 P 204 237 4769 F
malvine@synergyinteriors.com

DATE NOV. 2009 SCALE REVISIONS
DRAWN BY M.G. CHECKED BY M.G.

1168 DAKOTA STREET
LOUIS RIEL LIBRARY
SPECIFICATINS & MATERIAL LIST

AUTOCAD NUMBER

DWG. A-6