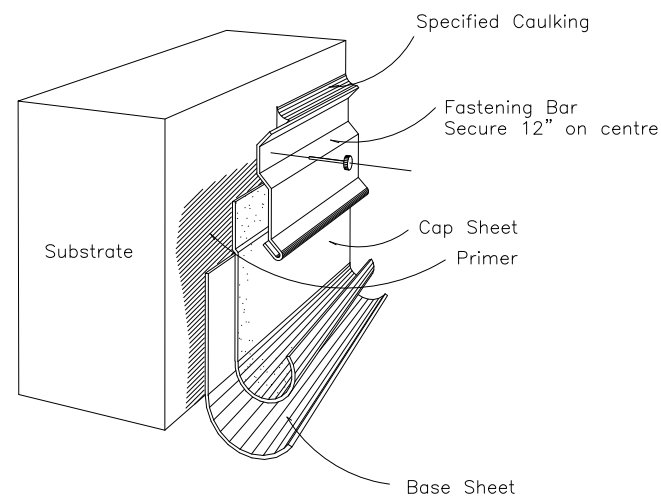
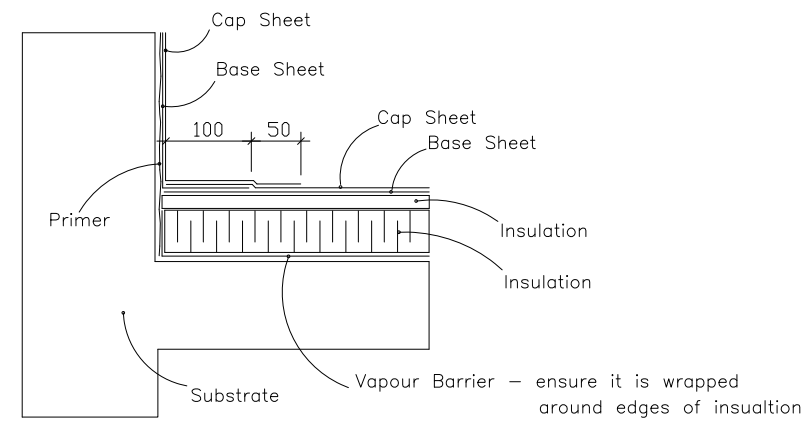


Typical Fastening Bar

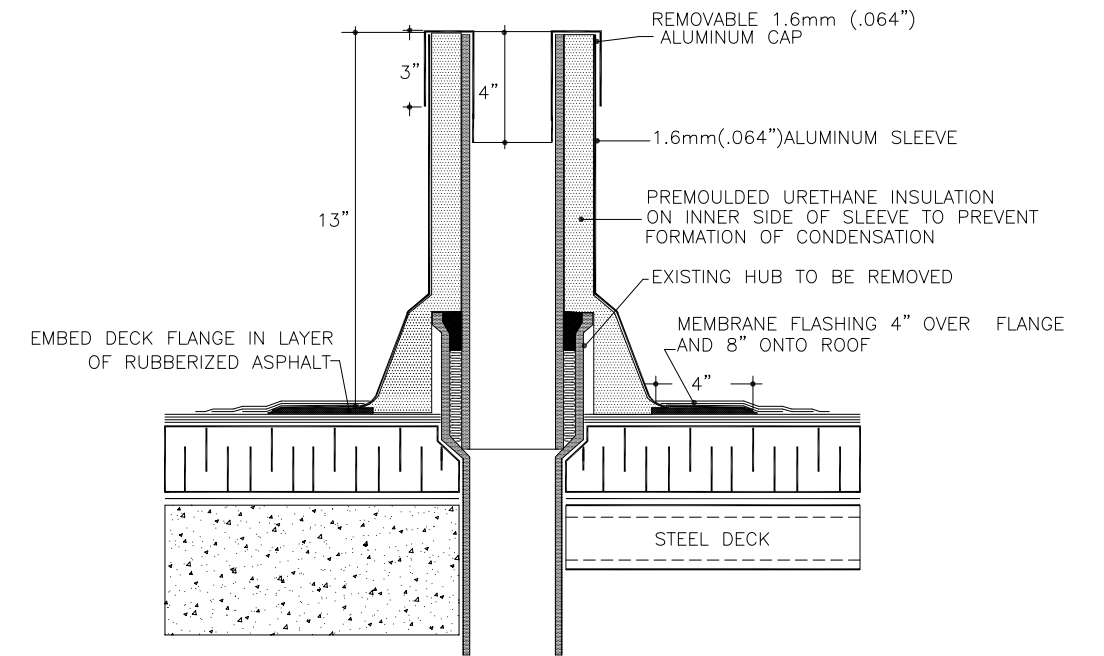


Typical Roof Edge Detail



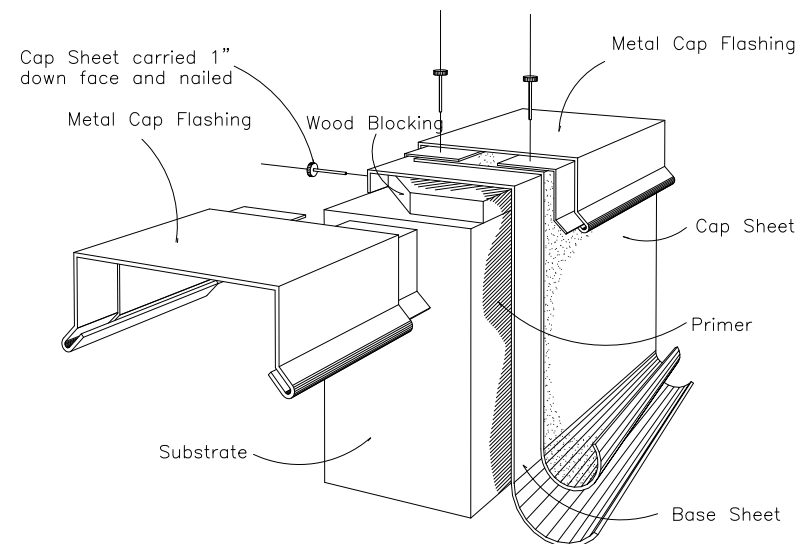
Note: Modified Bitumen stripping used in conjunction with 4 ply felt membrane is to have base sheet extend 12" onto flat and cap sheet 18" onto flat.

Plumbing Vent Flashing

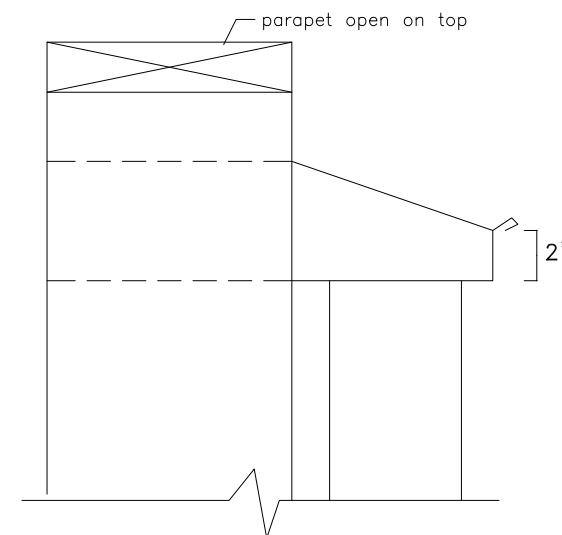


SJ-20 ALUMINUM STACK JACK (13") HIGH

Parapet & Divider Cap



Typical Scupper



Notes:
Scupper shall be 4 sided through parapet
Scupper shall be minimum 8" wide x 6" high

AGASSIZ CONSULTING GROUP	
809 Pipeline Road, Winnipeg, Manitoba Phone: 697-8091 Fax: 697-8039	
Project:	Commercial Buidling 2546 McPhillips Winnipeg, MB
Date:	March 3, 2010
Drawing No.	D-1
File no:	4247-10
Scale:	N.T.S.