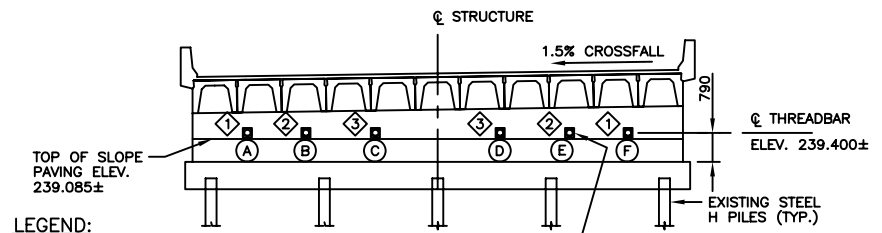
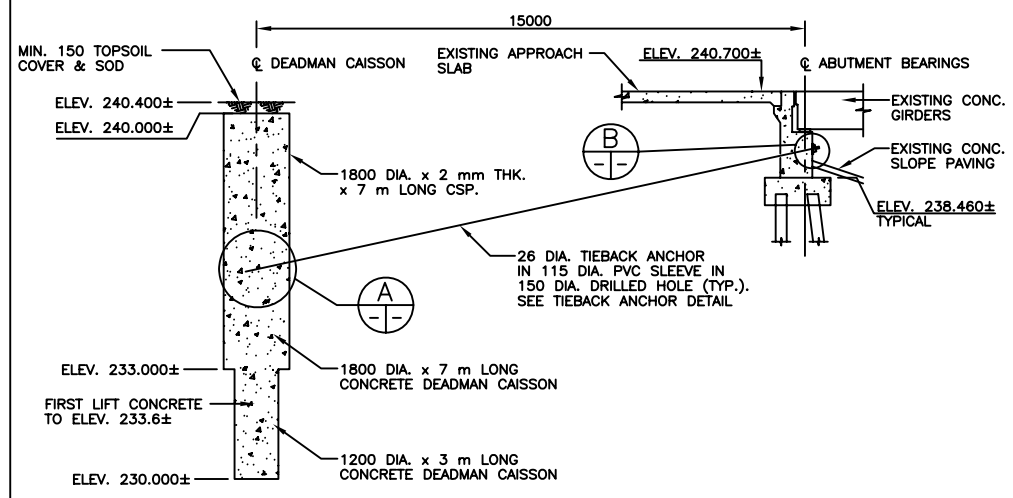


PLAN - EAST STRUCTURE SOUTH ABUTMENT
SCALE 1:100

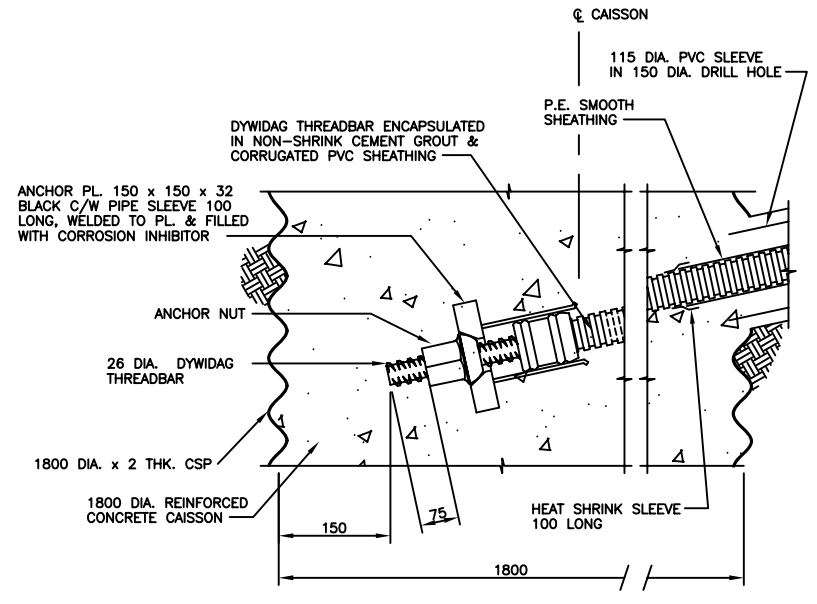
NOTE:
SHOWN IS SOUTH ABUTMENT EAST STRUCTURE
SOUTH ABUTMENT WEST STRUCTURE OPPOSITE HAND
NORTH ABUTMENT EAST STRUCTURE OPPOSITE HAND
NORTH ABUTMENT WEST STRUCTURE SIMILAR



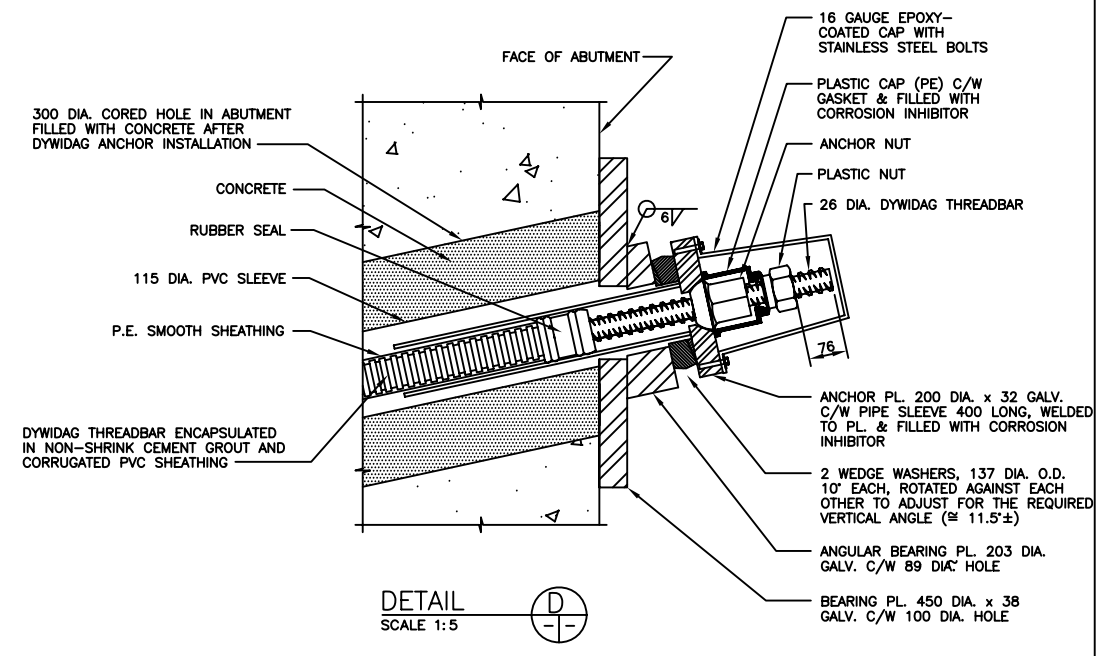
FRONT ELEVATION
SCALE 1:100



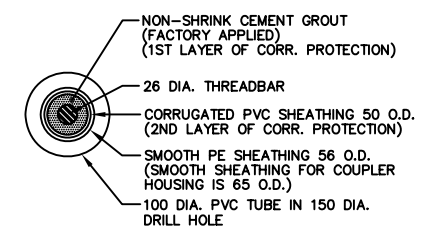
ELEVATION LOOKING WEST
SCALE 1:100



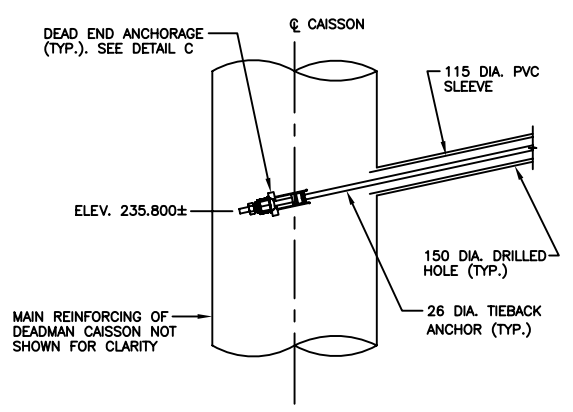
DETAIL C
SCALE 1:5



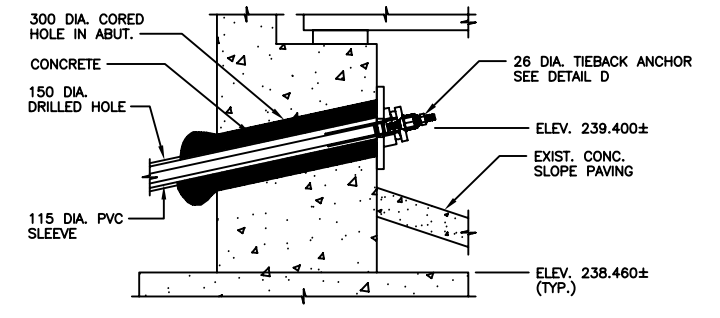
DETAIL D
SCALE 1:5



TIE-BACK ANCHOR DETAIL
SCALE 1:5



DETAIL A
SCALE 1:20

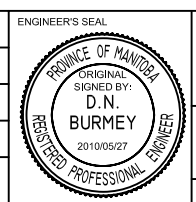


DETAIL B
SCALE 1:20

NOTE:

B.M. ELEV.	DESIGNED BY:	D.N.B.
	DRAWN BY:	M.R.T.
	CHECKED BY:	D.N.B.
	APPROVED BY:	D.N.B.
	AUTHORIZED BY:	
	ORIGINAL SIGNED BY:	D.N. BURMEY
		D.N. BURMEY BRIDGE MAINTENANCE ENGINEER
0	ISSUED FOR TENDER	27/05/10 M.T.
	REVISION	DATE BY

METRIC
WHOLE NUMBERS INDICATE MILLIMETRES
DECIMALIZED NUMBERS INDICATE METRES



CITY OF WINNIPEG
PUBLIC WORKS DEPARTMENT
Winnipeg ENGINEERING DIVISION

ROUTE 20 TWIN OVERPASS (CNR REDDITT)
BRIDGE ABUTMENT TIE-BACK ANCHOR
RETIGHTENING

PLAN, ELEVATIONS, SECTIONS & DETAILS

SHEET 2 OF 2
HORIZONTAL: N.T.S.
VERTICAL: N.T.S.

CITY DRAWING NUMBER:
B122-10-06

ENGINEER'S SEAL
PROVINCE OF MANITOBA
REGISTERED PROFESSIONAL ENGINEER
D.N. BURMEY
2010/05/27

338-2010