

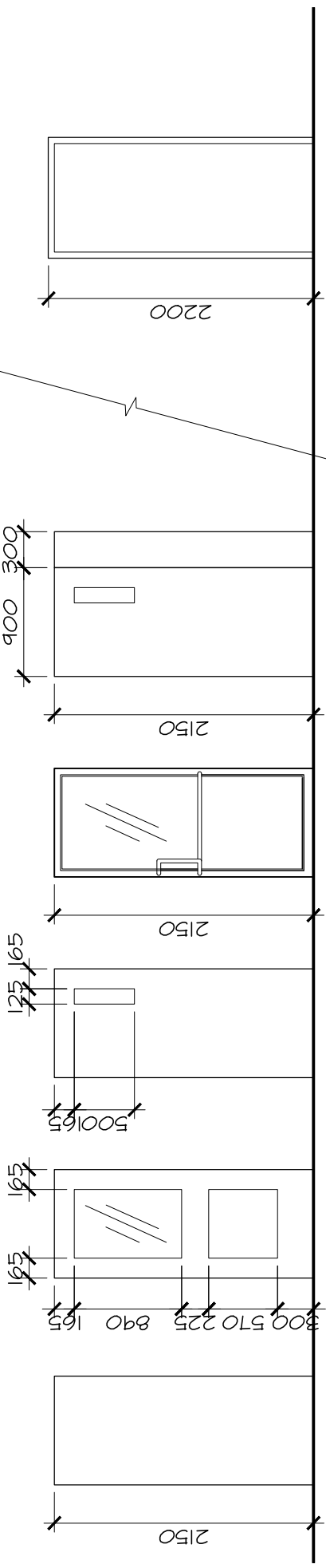
# Appendix E

Contents:	Door and Frame Types
	Window Types
	Window Types

Sheet 1 of 3
Sheet 2 of 3
Sheet 3 of 3

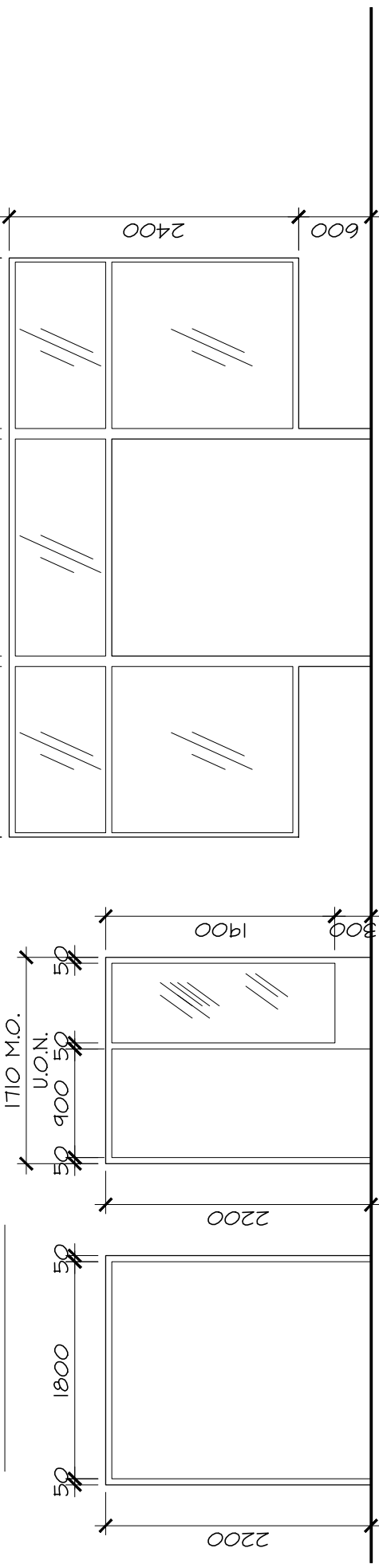
# DOOR TYPES:

NOTE: FOR DOOR MATERIALS REFER TO DOOR SCHEDULES



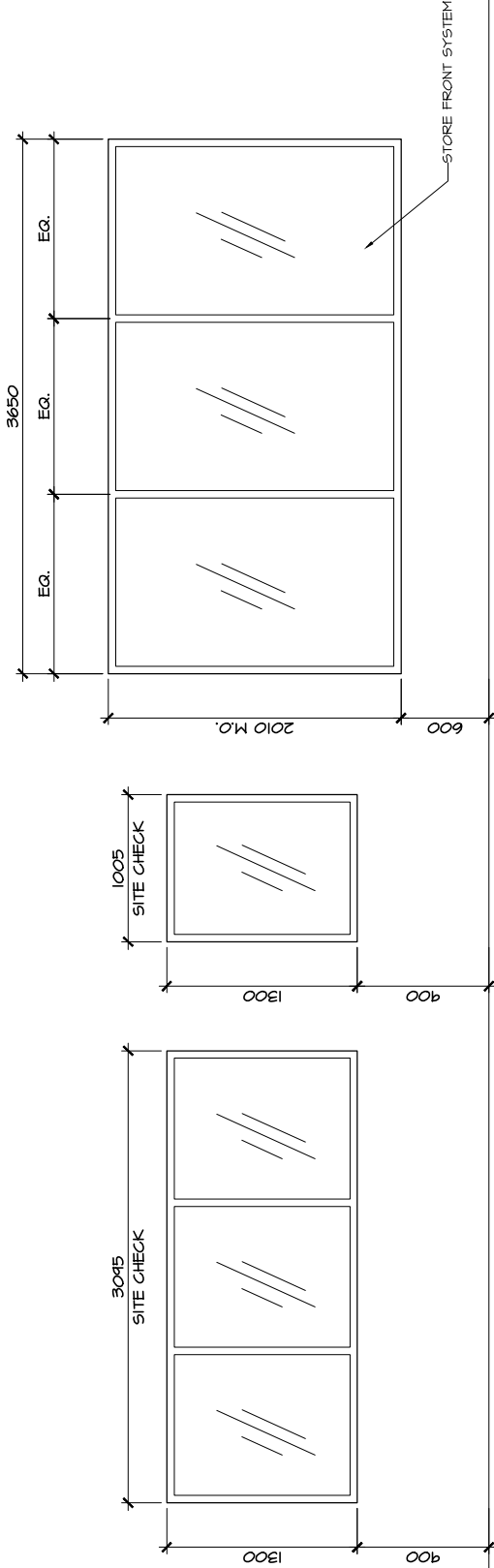
A B C D E 4800 M.O. 1800 EG. EG. 1

# FRAME TYPES:



2 3 4 1710 M.O. U.O.N. 50 400 50 50 1900 300 2200 2400 600

<b>CALNITSKY ASSOCIATES ARCHITECTS INC.</b> ARCHITECTURE INTERIOR DESIGN 124 Nassau Street North, Winnipeg, Manitoba, R3L 2H1 Tel:(204) 453-6441 Fax:(204) 453-3392	PROJECT TITLE: WINAKWA COMMUNITY CENTRE ADDITION AND RENOVATION WINNIPEG, MANITOBA		SHEET NUMBER: <b>1 of 3</b>
	DRAWN BY: <b>AM</b>	SCALE: <b>1:50</b>	CHECKED BY: <b>BM</b>
SHEET TITLE: <b>DOOR &amp; FRAME TYPES</b>		PROJECT NO.: <b>09-012</b>	REVISION: <b>0</b>



WINDOW # 1. PSF

WINDOW # 2. PSF

WINDOW # 3. ALUM

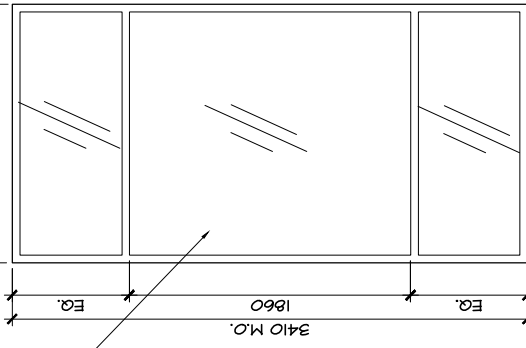
**NOTE:**

INSULATE BETWEEN ALL WINDOW, DOOR FRAMES & WALL FRAMING, w/ EXPANDABLE SPRAY FOAM INSULATION.

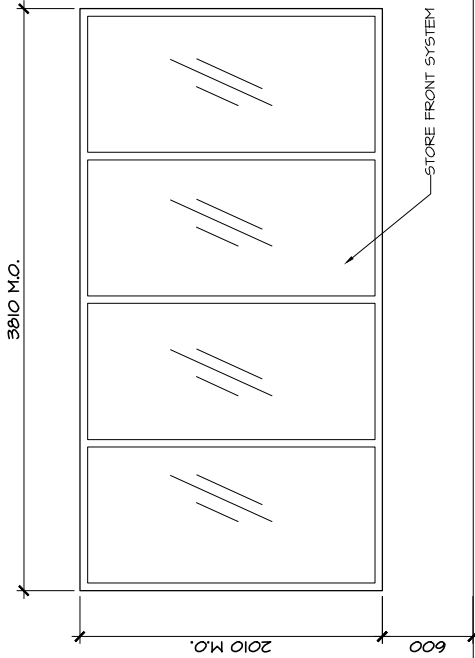
DRAWINGS ARE ONLY REPRESENTATIVE TO TYPICAL GENERAL CONDITIONS. REFER TO MANUFACTURERS DRAWINGS & SPECIFICATIONS FOR DETAILS.

WINDOWS SHALL BE:

- STORE FRONT SYSTEM (#4, #5, #6) ALL WINDOWS
- TRIPLE GLAZING
- TWO LAYERS OF LOW 'E' COATING
- ALL WINDOWS SHALL BE RESISTANT TO VANDALISM
- (6. LEXAN SHIELD OVER GLASS, or LAMINATED GLASS OPTION)



WINDOW # 4. ALUM



WINDOW # 5. PSF

WINDOW # 4. ALUM

WINDOW # 5. PSF

WINDOW # 6

WINDOW # 7. ALUM

**CALNITSKY ASSOCIATES ARCHITECTS INC.**

ARCHITECTURE INTERIOR DESIGN  
124 Nassau Street North, Winnipeg, Manitoba, R3L 2H1  
Tel:(204) 453-6441 Fax:(204) 453-3392

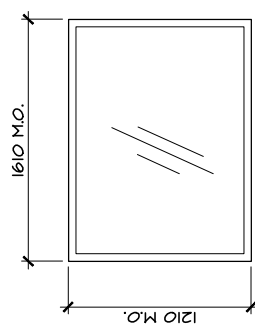
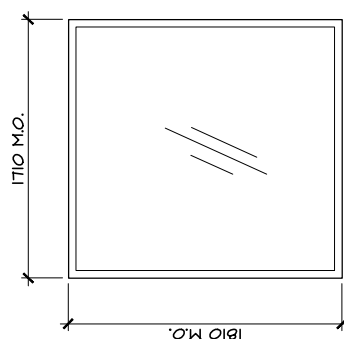
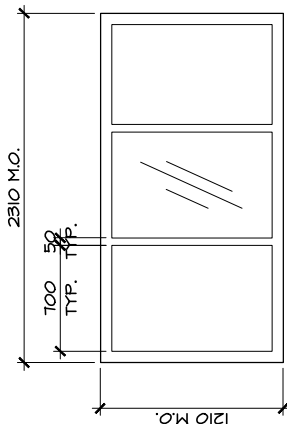
PROJECT TITLE: WINAKWA COMMUNITY CENTRE ADDITION AND RENOVATION WINNIPEG, MANITOBA

SHEET TITLE: WINDOW TYPES

SHEET NUMBER:

2 of 3

DRAWN BY: AM	SCALE: 1:50
CHECKED BY: BM	DATE: 10.06.11
PROJECT NO.: 09-012	REVISION: 0



**WINDOW # 6: PSF  
45 MIN FIRE  
WIRE GLASS**

**WINDOW # 9: ALUM**

**WINDOW # 10: ALUM**

**NOTE:**

- INSULATE BETWEEN ALL WINDOW, DOOR FRAMES & WALL FRAMING, W/ EXPANDABLE SPRAY FOAM INSULATION.
- DRAWINGS ARE ONLY REPRESENTATIVE TO TYPICAL GENERAL CONDITIONS. REFER TO MANUFACTURERS DRAWINGS & SPECIFICATIONS FOR DETAILS.
- WINDOWS SHALL BE:
  - STORE FRONT SYSTEM (#4, #5, #6) ALL WINDOWS
  - TRIPLE GLAZING
  - TWO LAYERS OF LOW 'E' COATING
  - ALL WINDOWS SHALL BE RESISTANT TO VANDALISM (ie. LEXAN SHIELD OVER GLASS, or LAMINATED GLASS OPTION)

<p><b>CALNITSKY ASSOCIATES ARCHITECTS INC.</b> ARCHITECTURE INTERIOR DESIGN 124 Nassau Street North, Winnipeg, Manitoba, R3L 2H1 Tel:(204) 453-6441 Fax:(204) 453-3392</p>	<p><b>PROJECT TITLE:</b> WINAKWA COMMUNITY CENTRE ADDITION AND RENOVATION WINNIPEG, MANITOBA</p> <p><b>SHEET TITLE:</b> WINDOW TYPES</p>	<p><b>DRAWN BY:</b> AM</p> <p><b>CHECKED BY:</b> BM</p> <p><b>PROJECT NO.:</b> 09-012</p>	<p><b>SCALE:</b> 1:50</p> <p><b>DATE:</b> 10.06.11</p> <p><b>REVISION:</b> 0</p>
		<p><b>SHEET NUMBER:</b> <b>3 of 3</b></p>	