

Panel Name: A		Panel Amperage: 300	
Voltage & Phase: 120/208Y-3Ø		Panel A.I.C. Rating: 18kAIC	
Mounting: Surface		Other: MCB / Bottom Fed	
Description	Brk	Phase	Description
RM 116 - AV Recept	15 1 A 2 15		RM 116 - general receptacles
RM 116 - Screen Power (Future)	15 3 B 4 15		RM 116 - Fridge/Cooler
RM 116 - Split-Fed	15 5 C 6 15		RM 116 - Split-Fed
Receptacle	15 7 A 8 15		Receptacle
RM 113 - Split-Fed	15 9 B 10 15		RM 113 - Split-Fed
Receptacle	15 11 C 12 15		Receptacle - GFI
Domestic	RM 117 60/2 13 A 14 60/2		Domestic
Water Heater #3	15 15 B 16 15		Water Heater #2
	17 C 18		
RM 113 - Split-Fed	15 19 A 20 15		RM 113 - Split-Fed
Receptacle - GFI	15 21 B 22 15		Receptacle - GFI
Hand Dryer HD-1	RM 117 15 23 C 24 15		Hand Dryer HD-3
Domestic	RM 114 60/2 25 A 26 15		Hand Dryer HD-4
Water Heater #1 CCT1	15 27 B 28 15		Hand Dryer HD-2
Domestic	RM 114 60/2 29 C 30 15		Plumbing Fixtures
Water Heater #1 CCT2	15 31 A 32 60/2		Domestic
	33 B 34		Water Heater #4 CCT1
	35 C 36 60/2		Domestic
	37 A 38		Water Heater #4 CCT2
	39 B 40		
	41 C 42		

Panel Name: B		Panel Amperage: 150	
Voltage & Phase: 600/347Δ-3Ø		Panel A.I.C. Rating: 18kAIC	
Mounting: Surface		Other: MCB / Top Fed	
Description	Brk	Phase	Description
RM 115.116	15/3 1 A 2 15/3		SPARE
Baseboard	15 3 B 4 15		SPARE
Heater	15 5 C 6 15		SPARE
Vestibule 100	15/3 7 A 8 15/3		RM101
Forced Flow	15 9 B 10 15		Baseboard
Heaters FFH-1.2	15 11 C 12 15		Heater
RM 105, 106, 107, 108	15/3 13 A 14 15/3		Vest 104, ST4
Baseboard	15 15 B 16 15		Forced Flow
Heater	15 17 C 18 15		Heaters FFH-3.4
RM 201-203, ST4, 101,103-108	15 19 A 20 15		Emergency/Night Light
Exterior Lights	15 21 B 22 15		RM 110,112-119, 133, 134, 136, 137
ERV1	15/3 23 C 24 20/3		ERV2
Energy Recovery	15 25 A 26 15		Energy Recovery
Ventilator	15 27 B 28 15		Ventilator
	29 C 30		
	31 A 32 15		Changerooms
	33 B 34		reheat
	35 C 36		coils
	37 A 38		
	39 B 40		
	41 C 42		

Panel Name: C		Panel Amperage: 250	
Voltage & Phase: 120/208Y-3Ø		Panel A.I.C. Rating: 18kAIC	
Mounting: Surface		Other: MCB / Bottom Fed	
Description	Brk	Phase	Description
Utility Receptacle	20 1 A 2 15		Receptacle
Emergency Battery Unit BU-1	15 3 B 4 15		Split Fed
Split Fed	15 5 C 6 15		Receptacle
Receptacle	15 7 A 8 15		
Split Fed	15 9 B 10 15		
Receptacle	15 11 C 12 15		
Split Fed	15 13 A 14 15		
Receptacle	15 15 B 16 15		
Emergency Battery Unit BU-2	15 17 C 18 15		
Domestic	RM 134 60/2 19 A 20 15		Split Fed
Water Heater #5 CCT1	15 21 B 22 15		Receptacle
Domestic	RM 134 60/2 23 C 24 15		Receptacle
Water Heater #5 CCT2	15 25 A 26 15		Receptacle
Vestibule 100 Interior Door Opener	15 27 B 28 15		Utility Receptacle
Vestibule 100 Exterior Door Opener	15 29 C 30 15		Utility Receptacle
IG Receptacle	RM 119 15 31 A 32 15		
Security Cameras Power	15 33 B 34 15		
	35 C 36 15		
	37 A 38 15		
	39 B 40 15		
	41 C 42 15		

Panel Name: D		Panel Amperage: 150	
Voltage & Phase: 120/208Y-3Ø		Panel A.I.C. Rating: 18kAIC	
Mounting: Surface		Other: MCB / Top Fed	
Description	Brk	Phase	Description
AV Receptacle	RM101 15 1 A 2 15		Water Fountain
Receptacles	RM105,106 15 3 B 4 15		Receptacles
Utility Receptacles	RM103 15 5 C 6 15		Receptacles
Receptacles	RM102 15 7 A 8 15		Receptacles
Receptacles	RM102 15 9 B 10 15		Receptacles
Receptacles	RM102 15 11 C 12 15		Receptacles
Ceiling Fans	RM102 15 13 A 14 15		Furnace F2
Furnace F1	RM202 15 15 B 16 15		Furnace F4
Furnace F3	RM202 15 17 C 18 15		Furnace F6
Furnace F5	RM202 15 19 A 20 15		Furnace F8
Furnace F7	RM202 15 21 B 22 15		DRINK FOUNDATION
	23 C 24		
	25 A 26		
	27 B 28		
	29 C 30		
	31 A 32		
	33 B 34		
	35 C 36		
	37 A 38		
	39 B 40		
	41 C 42		

Panel Name: E		Panel Amperage: 100	
Voltage & Phase: 120/208Y-3Ø		Panel A.I.C. Rating: 18kAIC	
Mounting: Surface		Other: MCB / Top Fed	
Description	Brk	Phase	Description
Receptacles	RM203 15 1 A 2 15		Receptacles
Utility Receptacles	RM202 20 3 B 4 20		Utility Receptacles
Emergency Lights BU-3	L.C. 15 5 C 6 15		Scoreboard/Shot Clocks
Display Board	RM202 15 7 A 8 15		Split Fed
	9 B 10 15		Ceiling Receptacle
	11 C 12 15		Split Fed
Sump Pump	15 13 A 14 15		Ceiling Receptacle
Fridge	RM118 15 15 B 16 15		Fridge
Clocks	15 17 C 18 15		Fridge
Utility Receptacles	Roof 20 19 A 20 20		BASKETBALL BACKSTOP BBW-1 (344HP)
Door Opener	RM 105 15 21 B 22 20		BASKETBALL BACKSTOP BBW-2 (344HP)
	23 C 24		
	25 A 26		
	27 B 28		
	29 C 30		
	31 A 32		
	33 B 34		
	35 C 36		
	37 A 38		
	39 B 40		
	41 C 42		

Panel Name: F		Panel Amperage: 150	
Voltage & Phase: 120/208Y-3Ø		Panel A.I.C. Rating: 10kAIC	
Mounting: Surface		Other: MCB / Top Fed	
Description	Brk	Phase	Description
RM 102 Bank 1A Lights	15 1 A 2 15		RM 102 Bank 3A Lights
RM 102 Bank 1B Lights	15 3 B 4 15		RM 102 Bank 3B Lights
RM 102 Bank 2A Lights	15 5 C 6 15		RM 102 Bank 4A Lights
RM 102 Bank 2B Lights	15 7 A 8 15		RM 102 Bank 4B Lights
RM 101 Pendant/Vestibule 100 Front Entrance Lights	15 9 B 10 15		Emergency Night Lights
RM 116/113 pot lights	15 11 C 12 15		Donor wall lights
Corridor Scones	RM 111,103,104 15 13 A 14 15		
	15 B 16		
	17 C 18		
	19 A 20		
	21 B 22		
	23 C 24		
	25 A 26		
	27 B 28		
	29 C 30		
	31 A 32		
	33 B 34		
	35 C 36		
	37 A 38		
	39 B 40		
	41 C 42		

Panel Name: G		Panel Amperage: 400	
Voltage & Phase: 120/208Y-3Ø		Panel A.I.C. Rating: 25kAIC	
Mounting: Surface		Other: MLO / Top Fed	
Description	Brk	Phase	Description
Condenser 1	40/3 1 A 2 40/3		Condenser 2
	3 B 4 15		
	5 C 6 15		
Condenser 3	40/3 7 A 8 40/3		Condenser 4
	9 B 10 15		
	11 C 12 15		
Condenser 5	40/3 13 A 14 30/3		Condenser 6
	15 B 16 15		
	17 C 18 15		
Condenser 7	25/3 19 A 20 40/3		Condenser 8
	21 B 22 15		
	23 C 24 15		
Condenser 9	40/3 25 A 26 40/3		SPARE
	27 B 28 15		
	29 C 30 15		
	31 A 32 15		
	33 B 34 15		
	35 C 36 15		
	37 A 38 15		
	39 B 40 15		
	41 C 42 15		

1 PANEL SCHEDULES  
E-4.1 SCALE: N.T.S.

FIRE ALARM ZONE	
ZONE NO.	DESCRIPTION
1	SECOND FLOOR MEETING ROOM
2	EXISTING BUILDING
3	NEW/RENOVATED COMMON AREAS
4	NEW GYM/CHANGEROOM AREAS
5	SECOND FLOOR MECHANICAL ROOM
6	GARAGE

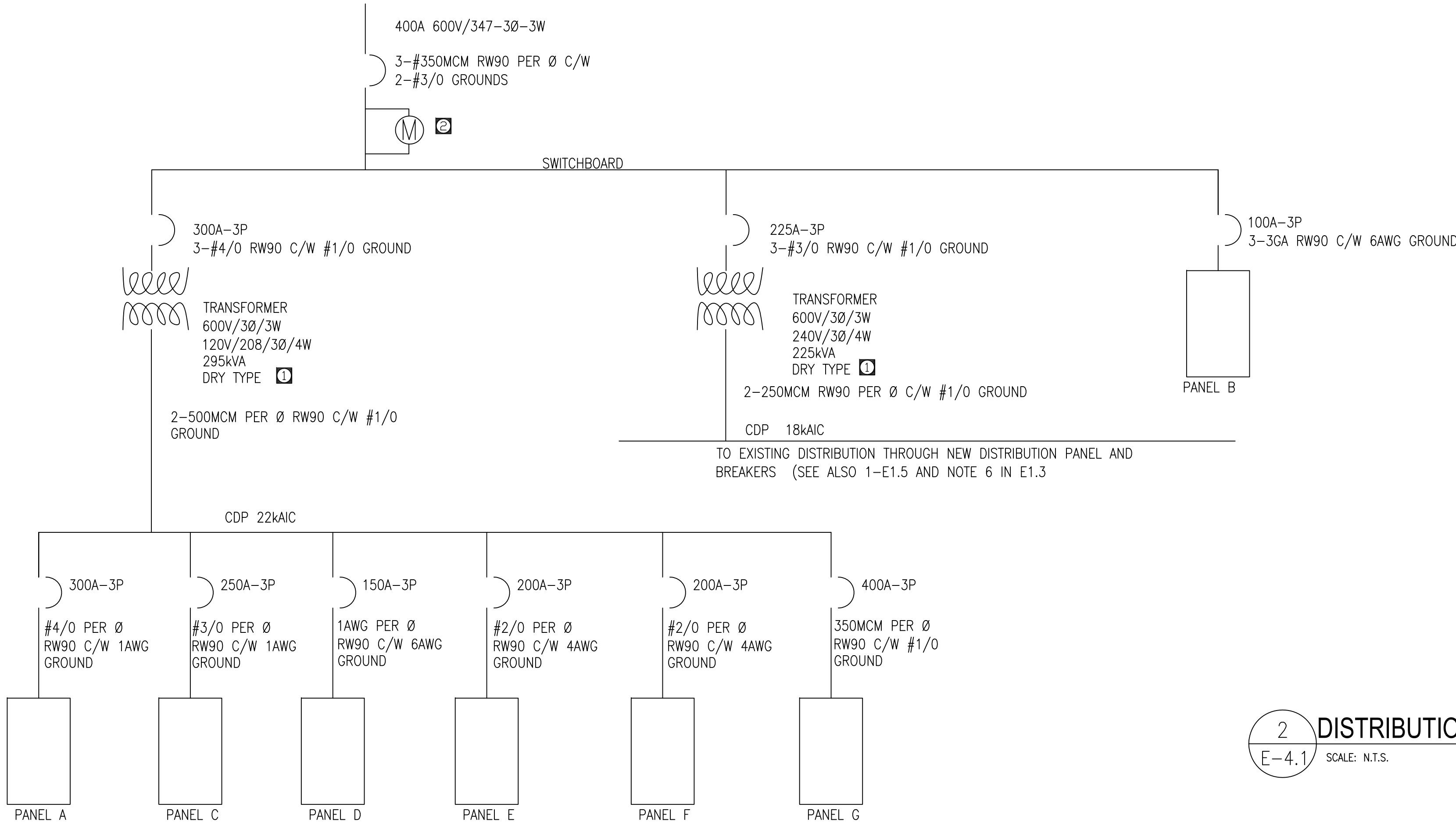
PROVIDE FAULT ISOLATION MODULE BETWEEN EACH ZONE AS PER CAN/ULC-S524-06

EMERGENCY BATTERY BANK SCHEDULE								
EQUIP ID	MANUFACTURER	MODEL NUMBER	SUPPLY VOLTAGE	OUTPUT VOLTAGE	PANEL	CONNECTED DEVICES		MINIMUM WATTAGE (WITH 1.25 MULTIPLIER)
						⚡	🔌	
BU-1	LUMACELL	RG245550-AT	120	24	C	4	5	258 W
BU-2	LUMACELL	RG245550-AT	120	24	C	3	6	306 W
BU-3	LUMACELL	RG245550-2-MQM20W-AT	120	24	E	-	5	300 W

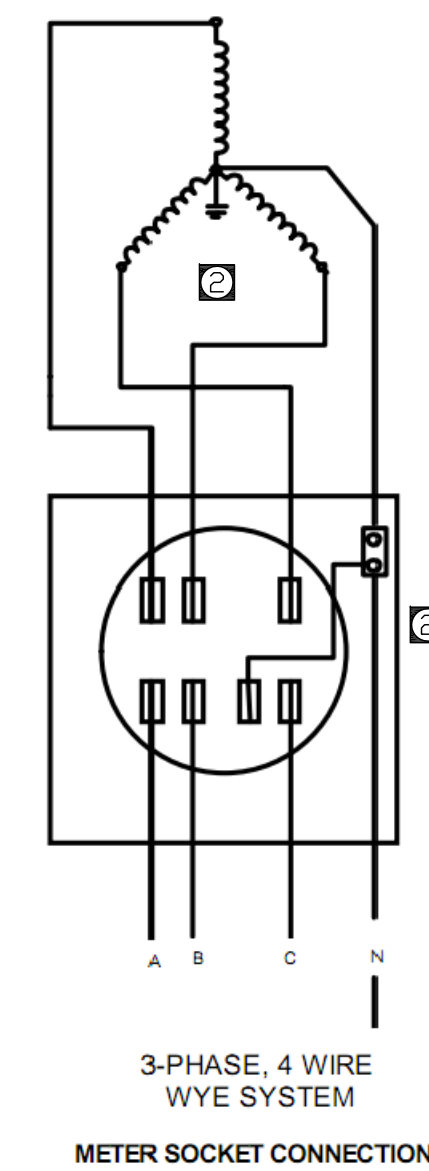
REFER TO LEGEND FOR EMERGENCY LIGHT MODELS  
BATTERY BACK-UP UNITS SELECTED BASED ON MINIMUM 1 HR RUN TIME

3 FIRE SPRINKLER ZONES  
E-4.1 SCALE: N.T.S.

4 EMERGENCY BATTERY BANK SCHEDULE  
E-4.1 SCALE: N.T.S.



2 DISTRIBUTION LINE SCHEMATIC  
E-4.1 SCALE: N.T.S.



GROUND EACH TRANSFORMER WITH #3GA CABLE TO NEW GROUND ROD SYSTEM. GROUND ROD SYSTEM SHALL INCLUDE A MINIMUM OF THREE 3000mmX25mm RODS SPACED AT 3100mm, CONNECTED WITH #3GA BARES WIRES USING COMPRESSION FITTINGS.

GENERAL NOTE: ALL WIRING SIZES BASED ON ALUMINUM CONDUCTORS.



CALNITSKY ASSOCIATES ARCHITECTS INC  
ARCHITECTURE | INTERIOR DESIGN  
124 Nassau Street North Winnipeg, Manitoba R3L 2H1  
Tel: (204) 453-6441 Fax: (204) 453-3392  
E-mail: csa@csa.ca

This drawing is not intended to be an as-built or record drawing. The contractor is responsible for verifying the accuracy of the information on-site. If there is any information that is in error, the contractor shall record the discrepancy and contact the Engineer immediately with his findings.

DATE	NO.	DESCRIPTION	DRAWN BY
2010/01/10	1	DRAWING UPDATE	BH
2010/04/13	0	ISSUE FOR TENDER	BH



PharmEng Technology  
A Division of PE Pharma Inc.

JOB TITLE: ADDITION & RENOVATION OF WINAKWA COMMUNITY CENTRE  
980 WINAKWA ROAD WINNIPEG, MB

DRAWING TITLE: PANELS & SCHEDULES

SCALE:	DATE:	DRAWING NO.:
AS SHOWN	2010 MAY 13	
DRAWN B.H.	DESIGN B.H.	CHECKED B.H.
FILE NO.:	PROJECT NO.:	
-	339-2010	

E-4.1