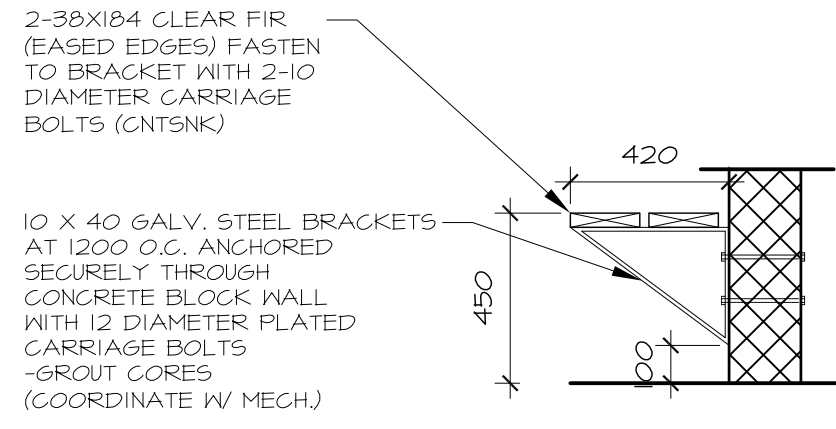
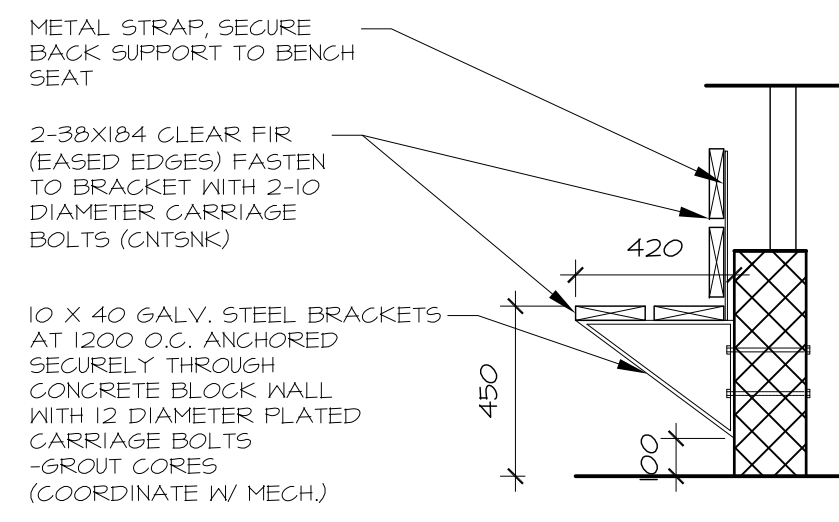


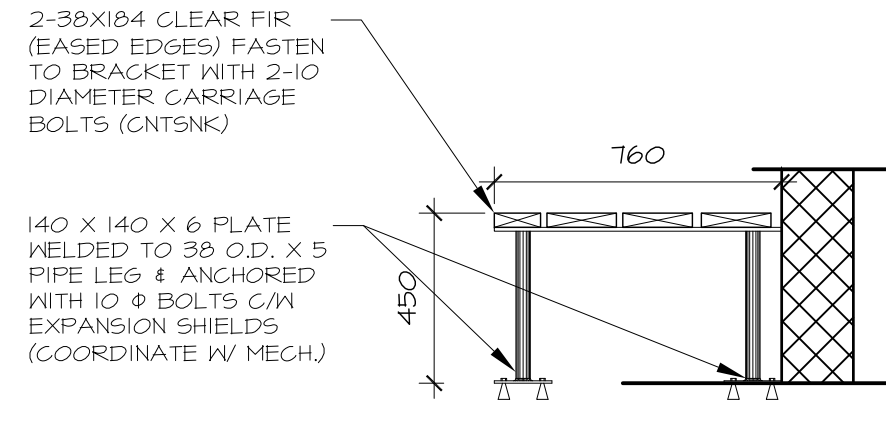
FINISHING:
WOOD:
 1 COAT SHELLAC
 2 COATS HIGH GLOSS VARNISH
METAL:
 1 COAT PRIMER (RUST INHIBITOR)
 1 COAT HIGH GLOSS METAL PAINT



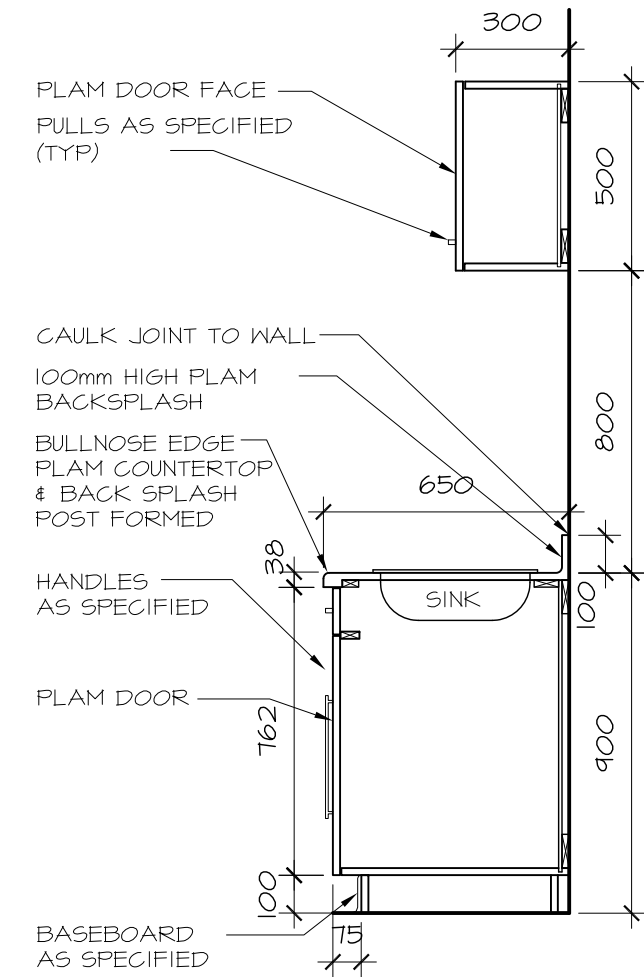
1 WALL MOUNTED BENCH DETAIL (TYP)
 10.1 1:20



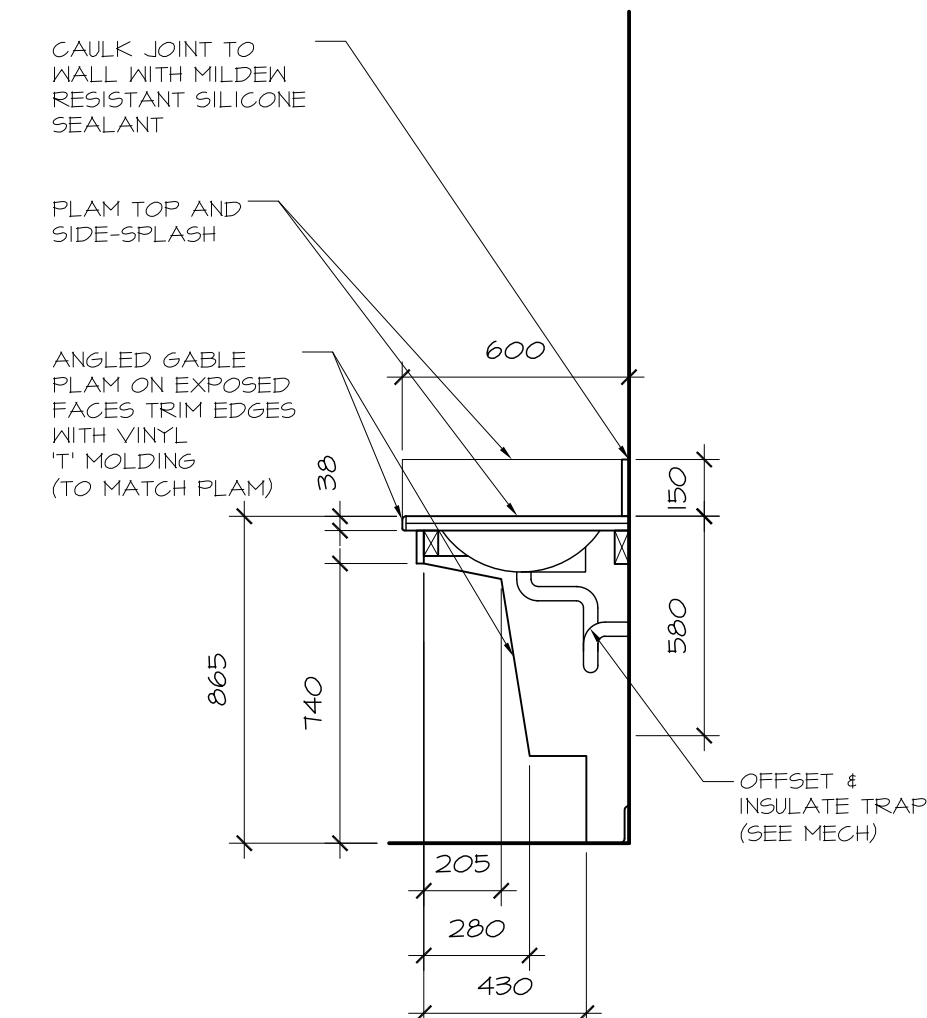
2 WALL MOUNTED BENCH C/W BACK SUPPORT DETAIL
 10.1 1:20



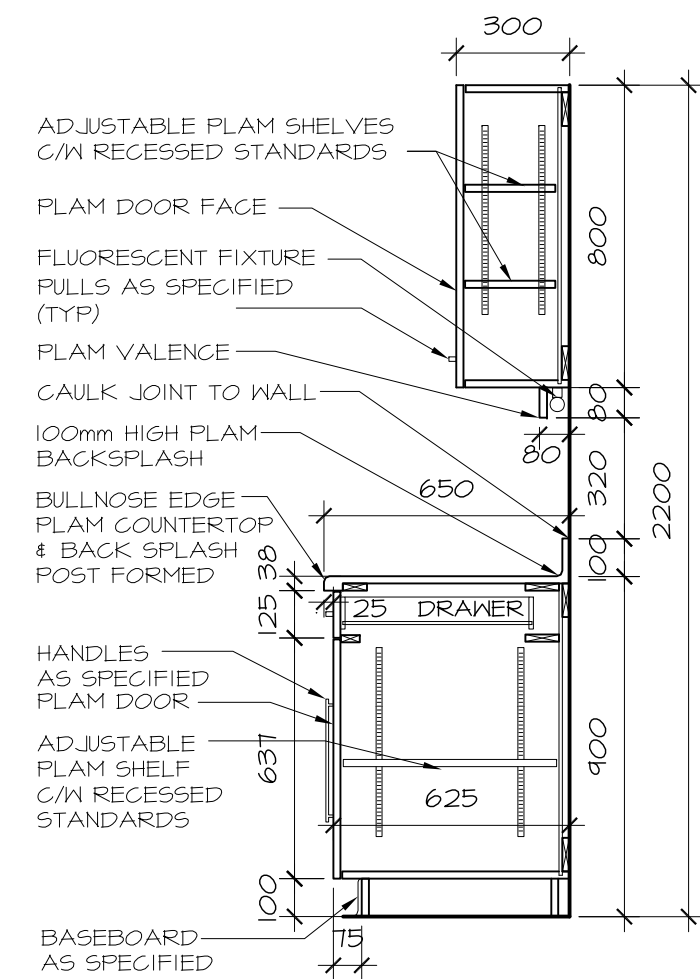
3 BARRIER-FREE BENCH DETAIL (TYP)
 10.1 1:20



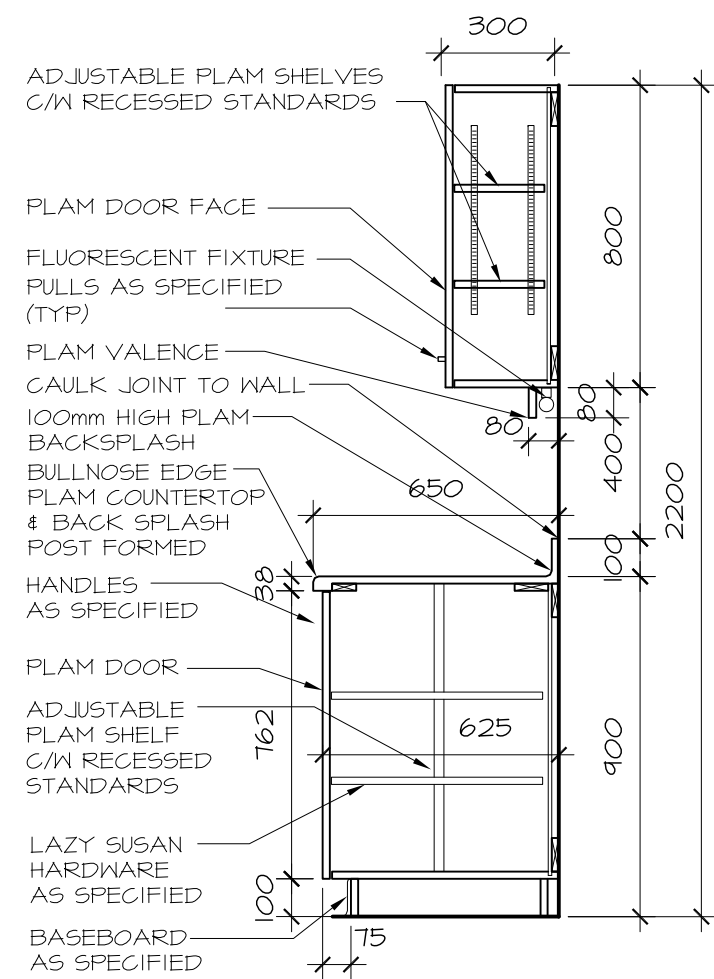
4 MILLWORK DETAIL
 10.1 1:20



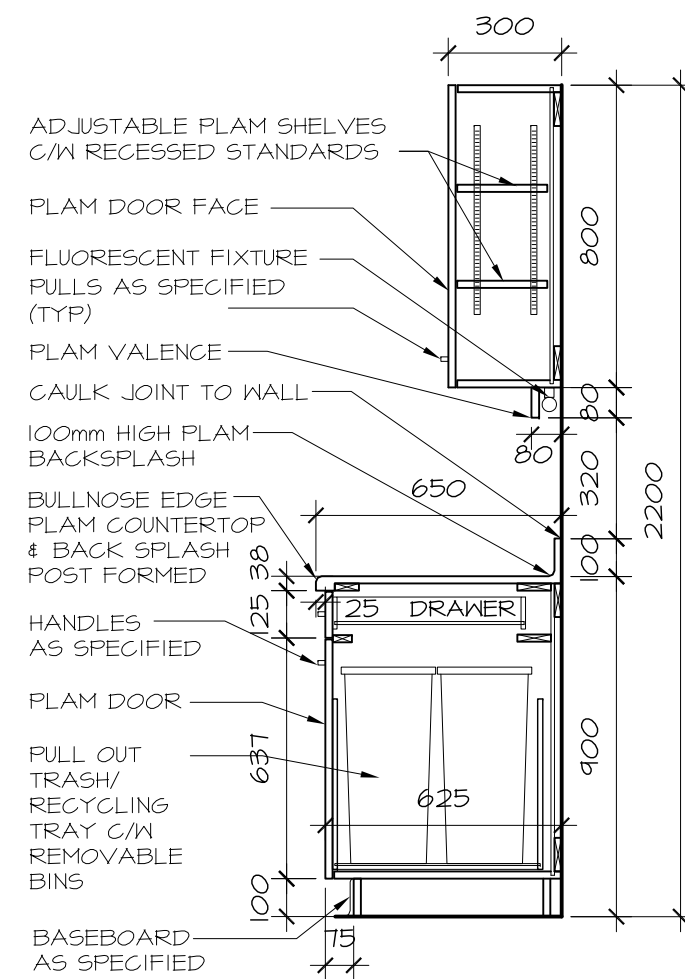
5 BARRIER FREE LAVATORY
 10.1 1:20



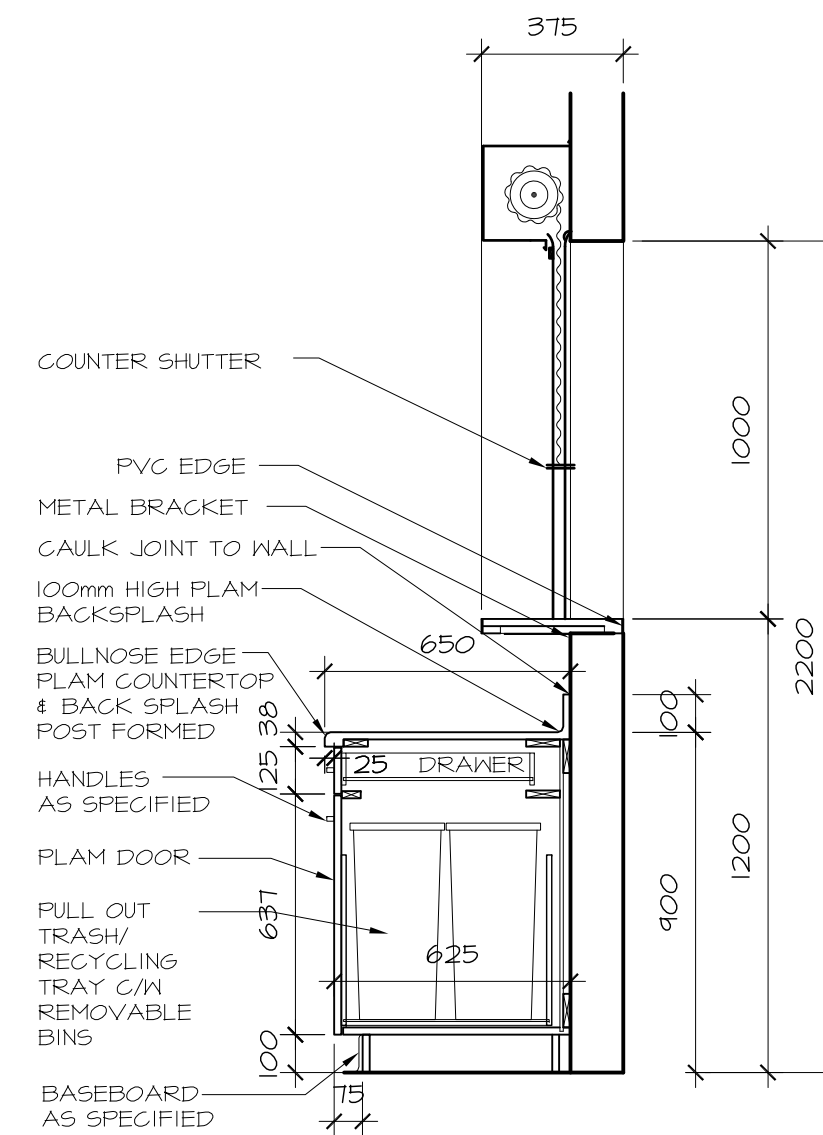
6 MILLWORK DETAIL
 10.1 1:20



7 MILLWORK DETAIL
 10.1 1:20

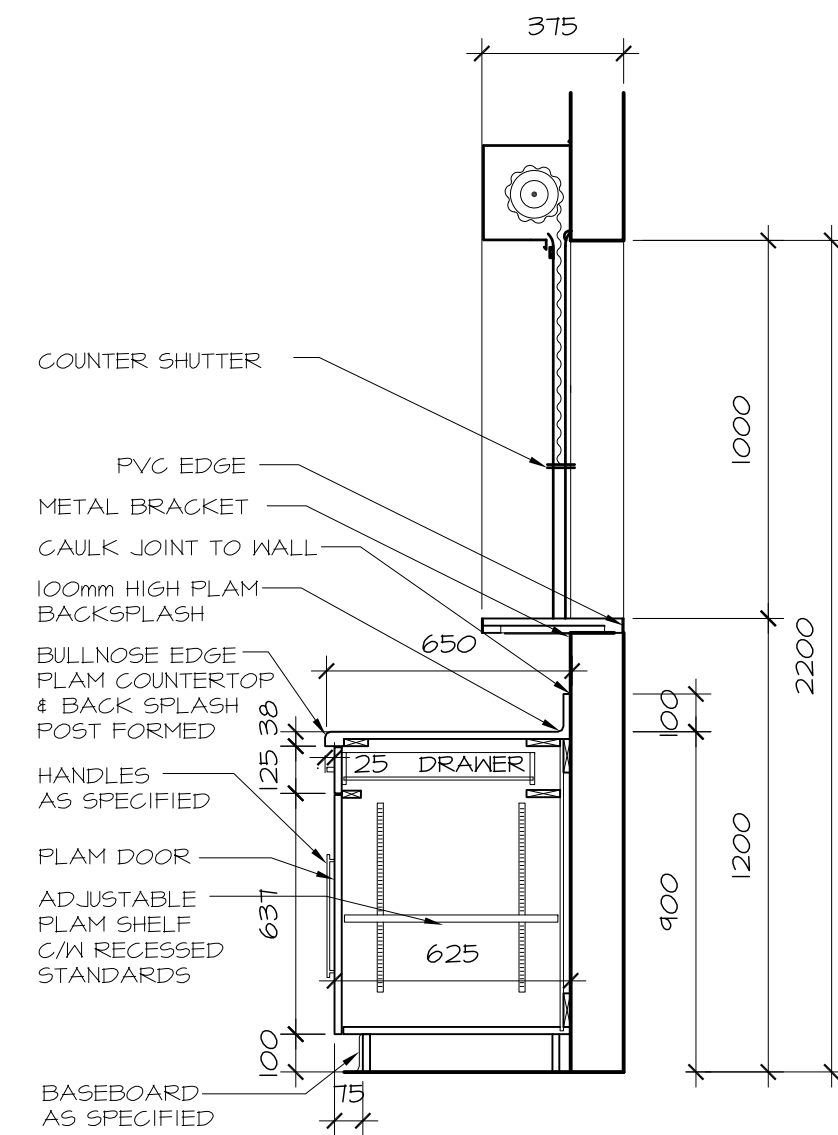


8 MILLWORK DETAIL
 10.1 1:20

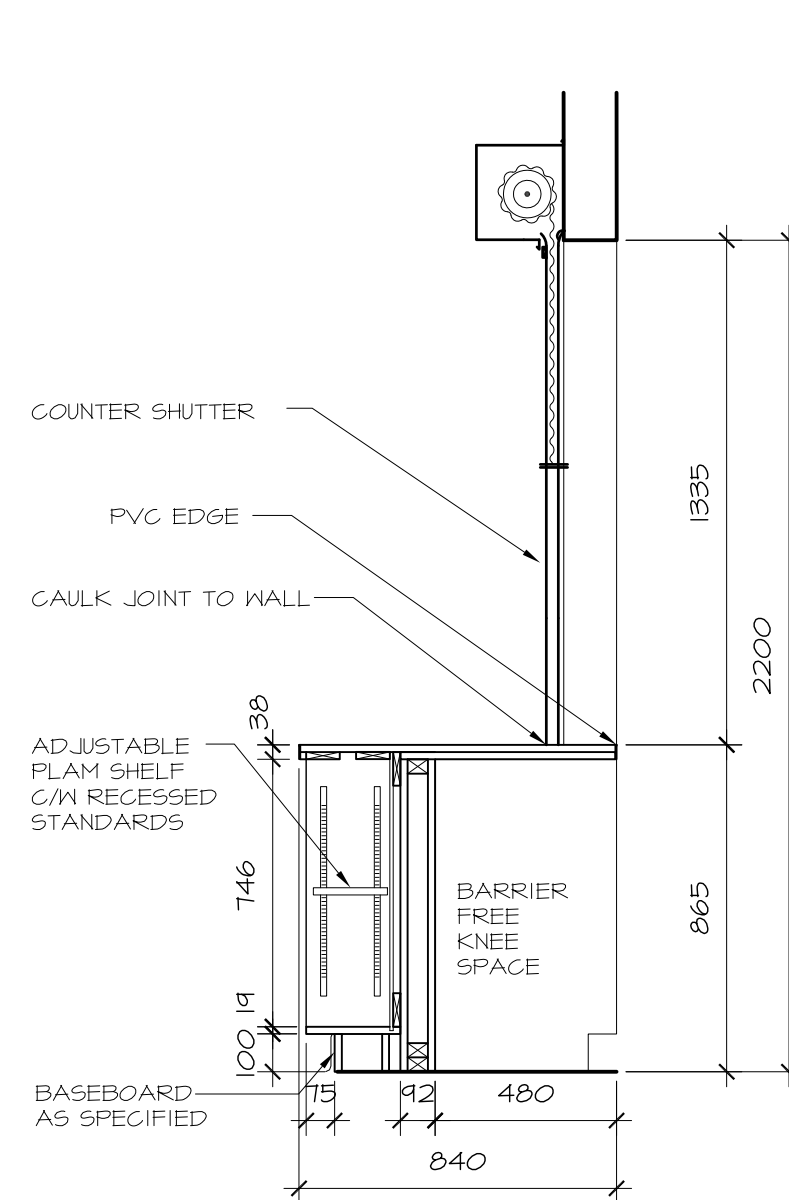


9 MILLWORK DETAIL
 10.1 1:20

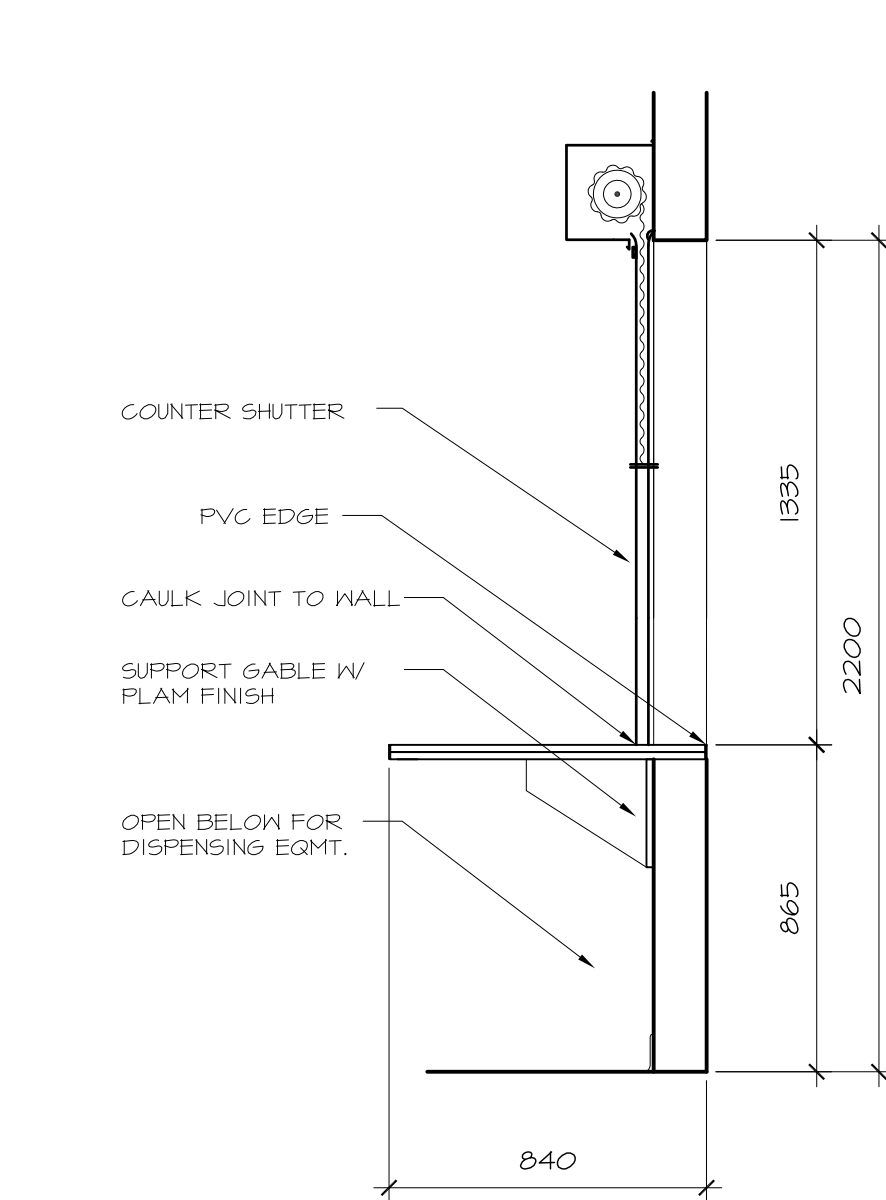
NOTES:
 -SEE ELEVATIONS / PLANS FOR SPECIFIC CABINET CONFIGURATIONS, DIMENSIONS & QUANTITIES OF CABINETS
 -ALSO REFER TO MANUFACTURED MILLWORK NOTES



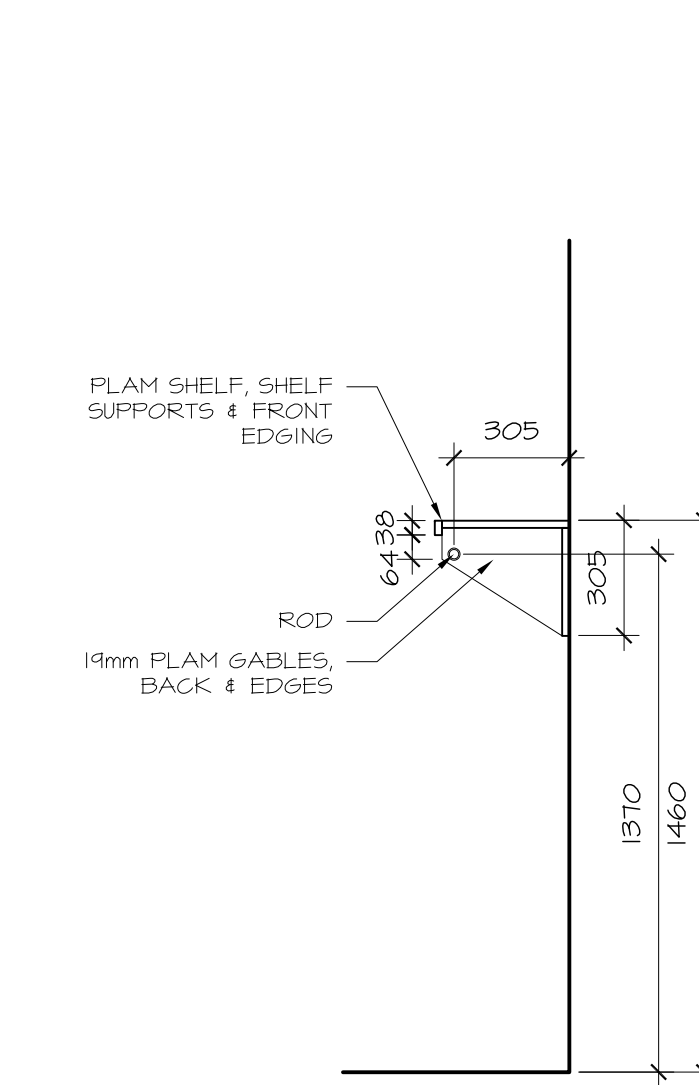
10 MILLWORK DETAIL
 10.1 1:20



11 BARRIER FREE COUNTER DETAIL
 10.1 1:20



12 DRINK DISPENSER COUNTER DETAIL
 10.1 1:20



13 COAT ROD & SHELF MILLWORK DETAIL
 10.1 1:20

MANUFACTURED MILLWORK NOTES:

- CASEWORK: FABRICATE CASEWORKS TO ANMAC CUSTOM QUALITY GRADE ALSO SEE SPECIFICATION FOR ADDITIONAL DETAIL INFORMATION
- ALL CABINETS SHALL BE LOCKABLE. FOR KEYING INFORMATION REFER TO SPECIFICATION.
- ALL CONCEALED METAL COMPONENTS, UNLESS NOTED OTHERWISE SHALL BE FINISHED TO MATCH EXPOSED METAL COMPONENTS
- PROVIDE MILLWORK HARDWARE AS PER SPECIFICATION
- CONFIRM ALL DIMENSIONS PRIOR TO COMMENCING FABRICATION OF MILLWORK
- PROVIDE ALL NECESSARY CUTOUTS, BLOCKING, SUPPORTS, ETC., FOR PROPER INSTALLATION AND FOR FIXTURES TO BE INSTALLED
- MILLWORK CONTRACTOR SHALL CONFIRM FIXTURE / APPLIANCE DIMENSIONS & COORDINATE OPENING SIZES FOR FIXTURES WITHIN MILLWORK
- CONTRACTOR TO CO-ORDINATE WITH FIXTURE / APPLIANCE SUPPLIERS AND OWNER PRIOR TO FINAL INSTALLATION
- GENERAL CONTRACTOR SHALL PROVIDE SOLID BACKING IN WALLS AS REQUIRED TO SUPPORT ALL MILLWORK, EQUIPMENT, WASHROOM ACCESSORIES, ETC.
- ALL EXPOSED SURFACES SHALL BE PLASTIC LAMINATE UNLESS NOTED OTHERWISE ON DRAWINGS. PVC EDGE TRIM SHALL MATCH ADJACENT PLASTIC LAMINATE COLOUR.
- ALL INTERIORS OF DRAWERS AND CABINETS (NON-VISIBLE) TO BE FINISHED WITH MELAMINE UNLESS NOTED OTHERWISE ON DRAWINGS
- ALL INTERIOR SHELVES TO BE PLASTIC LAMINATE UNLESS NOTED OTHERWISE ON DRAWINGS
- SEE ELEVATIONS / PLANS FOR SPECIFIC CABINET CONFIGURATIONS, DIMENSIONS & QUANTITIES OF CABINETS
- FOR COMPLETE QUANTITIES OF ALL CABINETS REQUIRED FOR PROJECT REFER TO A9.1 & A9.2

0	ISSUED FOR TENDER	2010.05.13	CAA
NO. 1	REVISION	DATE	BY

THIS DRAWING IS THE EXCLUSIVE PROPERTY OF THE ARCHITECT AND CAN BE REPRODUCED ONLY WITH THE PERMISSION OF THE ARCHITECT IN WHICH CASE THE REPRODUCTION MUST BEAR THE NAME OF THE ARCHITECT.
 THIS DRAWING SHALL NOT BE SCALED. FOLLOW GIVEN DIMENSIONS ONLY.
 THE CONTRACTOR SHALL SATISFY HIMSELF THAT ALL DIMENSIONS AND INFORMATION SHOWN ARE CORRECT.
 PRIOR TO COMMENCEMENT OF WORK REPORT ANY DISCREPANCIES TO THE ARCHITECT.
 VARIATIONS AND MODIFICATIONS TO WORK SHOWN WILL NOT BE ALLOWED WITHOUT WRITTEN PERMISSION OF THE ARCHITECT.

CONSULTANT



CALNITSKY ASSOCIATES ARCHITECTS INC.
 ARCHITECTURE 124 Nassau Street North Tel: (204) 453-6441
 INTERIOR DESIGN Winnipeg, Manitoba R3L 2H1 Fax: (204) 453-3392
 E-mail: caa@escape.ca

PROJECT TITLE
ADDITION & RENOVATION OF WINAKWA COMMUNITY CENTRE

980 WINAKWA RD, WINNIPEG

SHEET TITLE

MILLWORK DETAILS

DRAWN BY	SCALE	SHEET NUMBER
AM	AS SHOWN	A10.1
CHECKED BY	DATE	
BM	2010.05.13	PROJECT NO.
09-012	REV. DATE	REV. NO.
		0