

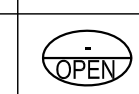
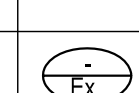
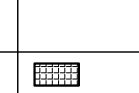



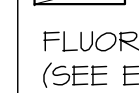

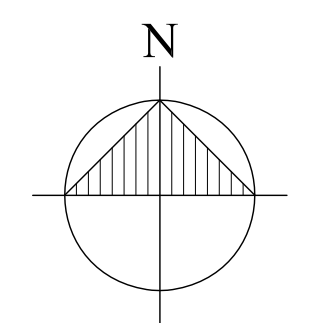




CEILING TYPES

-  ACoustic CEILING TILE
-  GYPSUM BOARD
-  OPEN CEILING
-  EXISTING CEILING
-  EGG GRATE RETURN AIR GRILLE (SEE MECH)
-  SQUARE DIFFUSER (SEE MECH)
-  FLUORESCENT LUMINAIRE (SEE ELEC)
-  FLUORESCENT LUMINAIRE (SEE ELEC)
-  POT LIGHT (SEE ELEC)
-  WALL SCONCE LIGHT (SEE ALSO ELEC)

NOTE:
 - SEE ALSO ELEC FOR ALL LIGHTING LAYOUT
 - SEE MECH FOR ALL MECH DUCTS & FIXTURES



0	ISSUED FOR TENDER	2010.05.13	CAA
NO. 1	REVISION	DATE	BY

THIS DRAWING IS THE EXCLUSIVE PROPERTY OF THE ARCHITECT AND CAN BE REPRODUCED ONLY WITH THE PERMISSION OF THE ARCHITECT IN WHICH CASE THE REPRODUCTION MUST BEAR THE NAME OF THE ARCHITECT.
 THIS DRAWING SHALL NOT BE SCALED. FOLLOW GIVEN DIMENSIONS ONLY.
 THE CONTRACTOR SHALL SATISFY HIMSELF THAT ALL DIMENSIONS AND INFORMATION SHOWN ARE CORRECT.
 PRIOR TO COMMENCEMENT OF WORK REPORT ANY DISCREPANCIES TO THE ARCHITECT.
 VARIATIONS AND MODIFICATIONS TO WORK SHOWN WILL NOT BE ALLOWED WITHOUT WRITTEN PERMISSION OF THE ARCHITECT.

CONSULTANT

SEAL




CALNITSKY ASSOCIATES ARCHITECTS

CALNITSKY ASSOCIATES ARCHITECTS INC.
 ARCHITECTURE | INTERIOR DESIGN
 124 Nassau Street North | Winnipeg, Manitoba R3L 2H1
 Tel: (204) 453-6441 | Fax: (204) 453-3392
 E-mail: caa@escape.ca

PROJECT TITLE
ADDITION & RENOVATION OF WINAKWA COMMUNITY CENTRE
 980 WINAKWA RD, WINNIPEG

SHEET TITLE
MAIN FLOOR REFLECTED CEILING PLAN

DRAWN BY	SCALE	SHEET NUMBER
CS,SM,AM	AS SHOWN	A3.1
CHECKED BY	DATE	
BM	2010.05.13	PROJECT NO.
09-012	REV. DATE	REV. NO.
		0

1
3.1 MAIN FLOOR REFLECTED CEILING PLAN
 1:100

