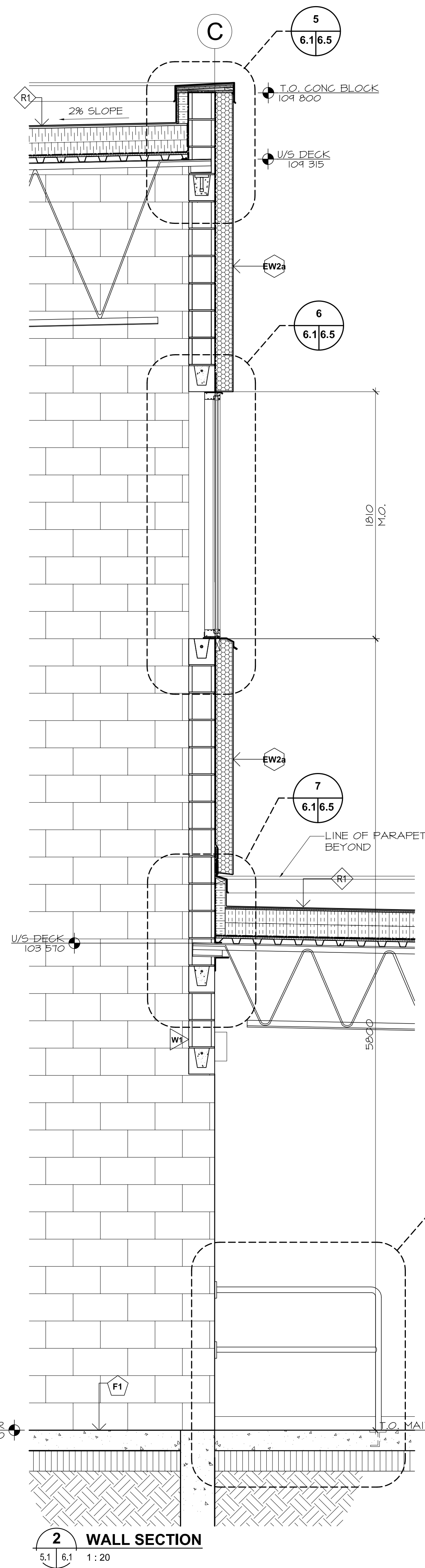
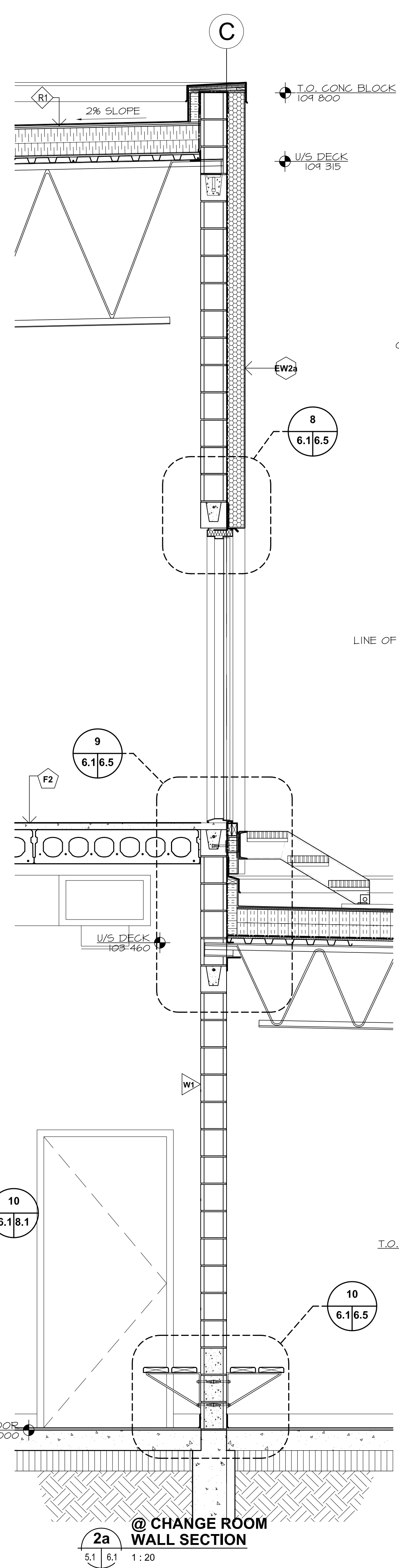


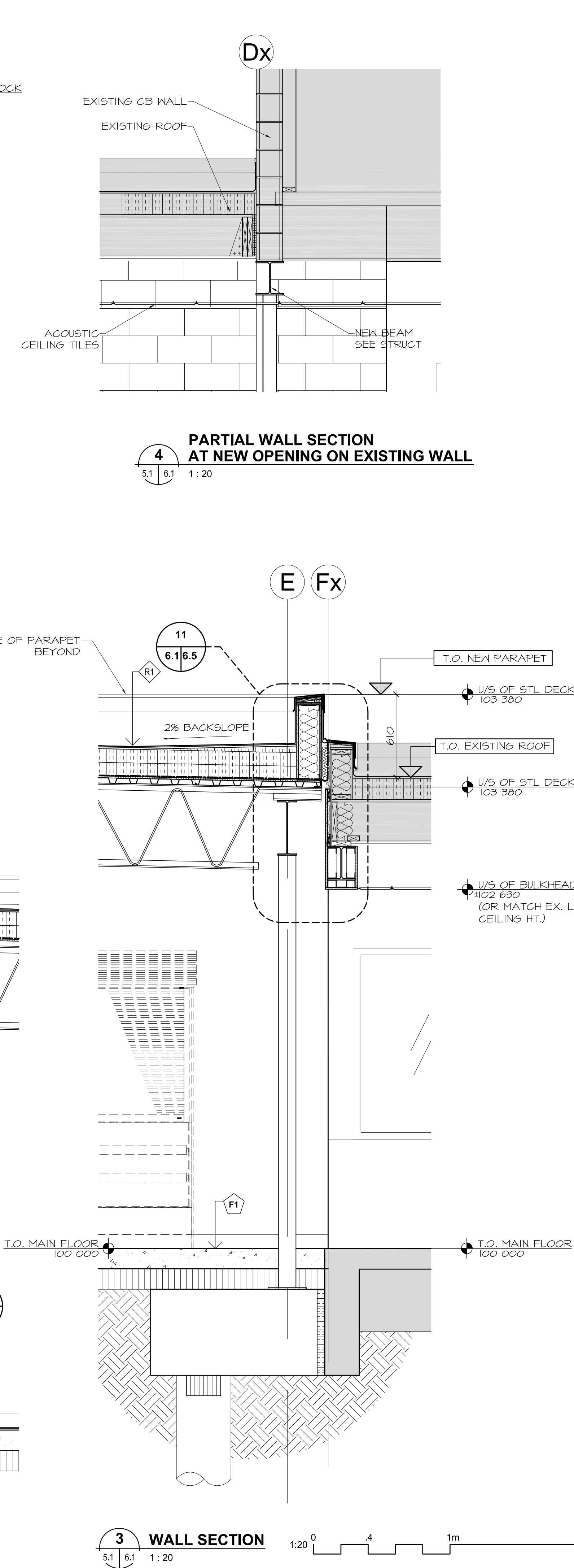
1 WALL SECTION
5.1 | 6.1 | 1:20



2 WALL SECTION
5.1 | 6.1 | 1:20

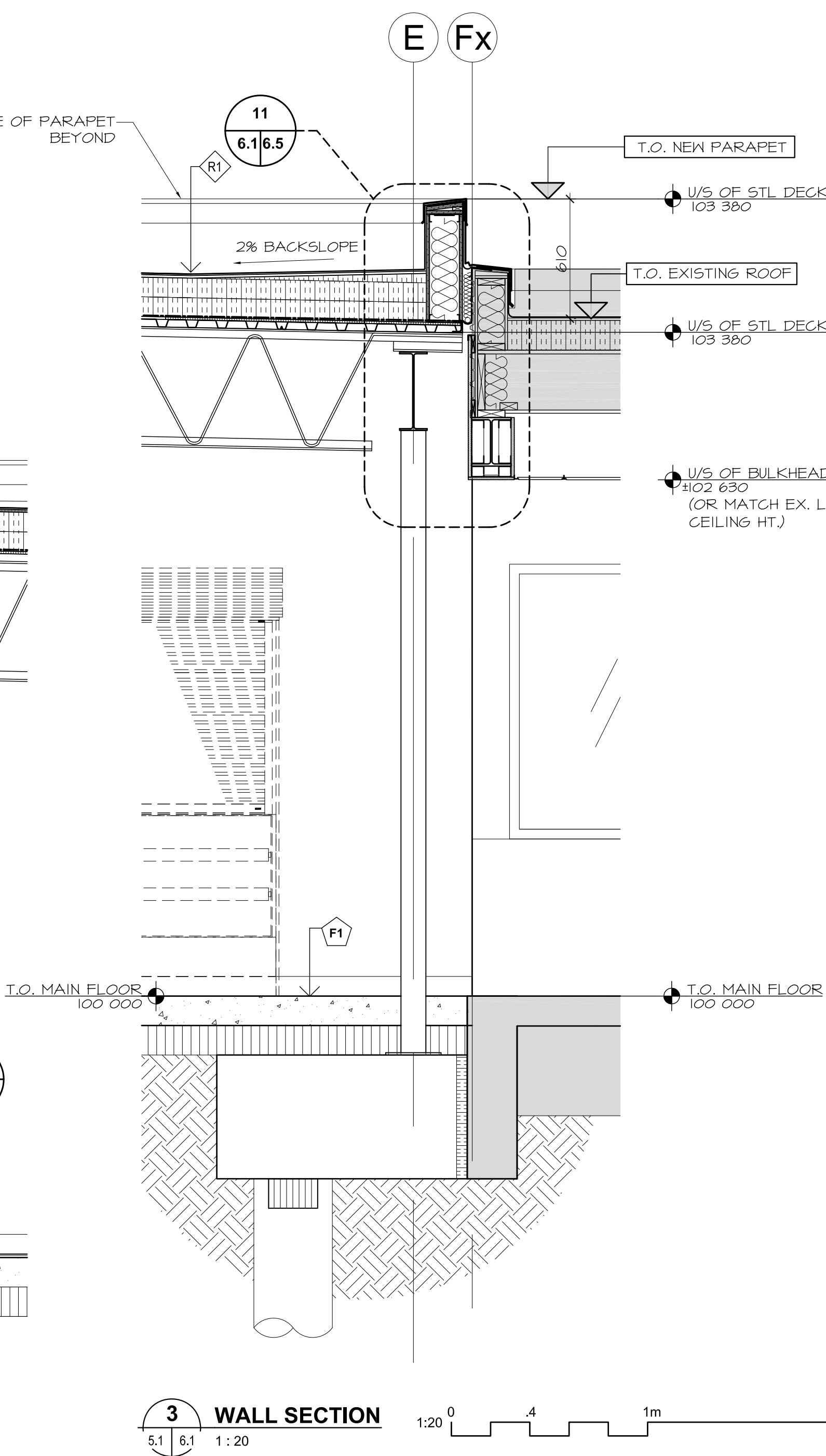


2a @ CHANGE ROOM WALL SECTION
5.1 | 6.1 | 1:20

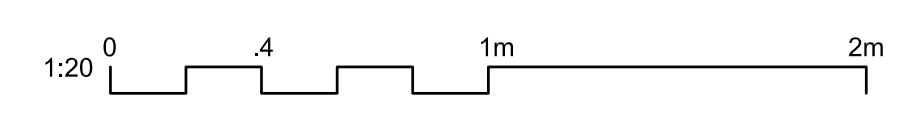


3 WALL SECTION
5.1 | 6.1 | 1:20

4 PARTIAL WALL SECTION AT NEW OPENING ON EXISTING WALL
5.1 | 6.1 | 1:20



3 WALL SECTION
5.1 | 6.1 | 1:20



NO. I REVISION	DATE	BY
0	ISSUED FOR TENDER 2010.05.13	CAA

THIS DRAWING IS THE EXCLUSIVE PROPERTY OF THE ARCHITECT AND CAN BE REPRODUCED ONLY WITH THE PERMISSION OF THE ARCHITECT IN WHICH CASE THE REPRODUCTION MUST BEAR THE NAME OF THE ARCHITECT.
THIS DRAWING SHALL NOT BE SCALED. FOLLOW GIVEN DIMENSIONS ONLY.
THE CONTRACTOR SHALL SATISFY HIMSELF THAT ALL DIMENSIONS AND INFORMATION SHOWN ARE CORRECT.
PRIOR TO COMMENCEMENT OF WORK REPORT ANY DISCREPANCIES TO THE ARCHITECT.
VARIATIONS AND MODIFICATIONS TO WORK SHOWN WILL NOT BE ALLOWED WITHOUT WRITTEN PERMISSION OF THE ARCHITECT.

CONSULTANT

SEAL

CALNITSKY ASSOCIATES ARCHITECTS INC.

ARCHITECTURE | INTERIOR DESIGN
124 Nassau Street North | Winnipeg, Manitoba R3L 2H1
Tel: (204) 453-6441 | Fax: (204) 453-3392
E-mail: caa@escape.ca

PROJECT TITLE
ADDITION & RENOVATION OF WINAKWA COMMUNITY CENTRE
980 WINAKWA RD, WINNIPEG

SHEET TITLE
WALL SECTIONS

DRAWN BY	SCALE	SHEET NUMBER
CS	AS SHOWN	A6.1
CHECKED BY	DATE	
CS, BM	2010.05.13	PROJECT NO.
09-012	REV. DATE	REV. NO.