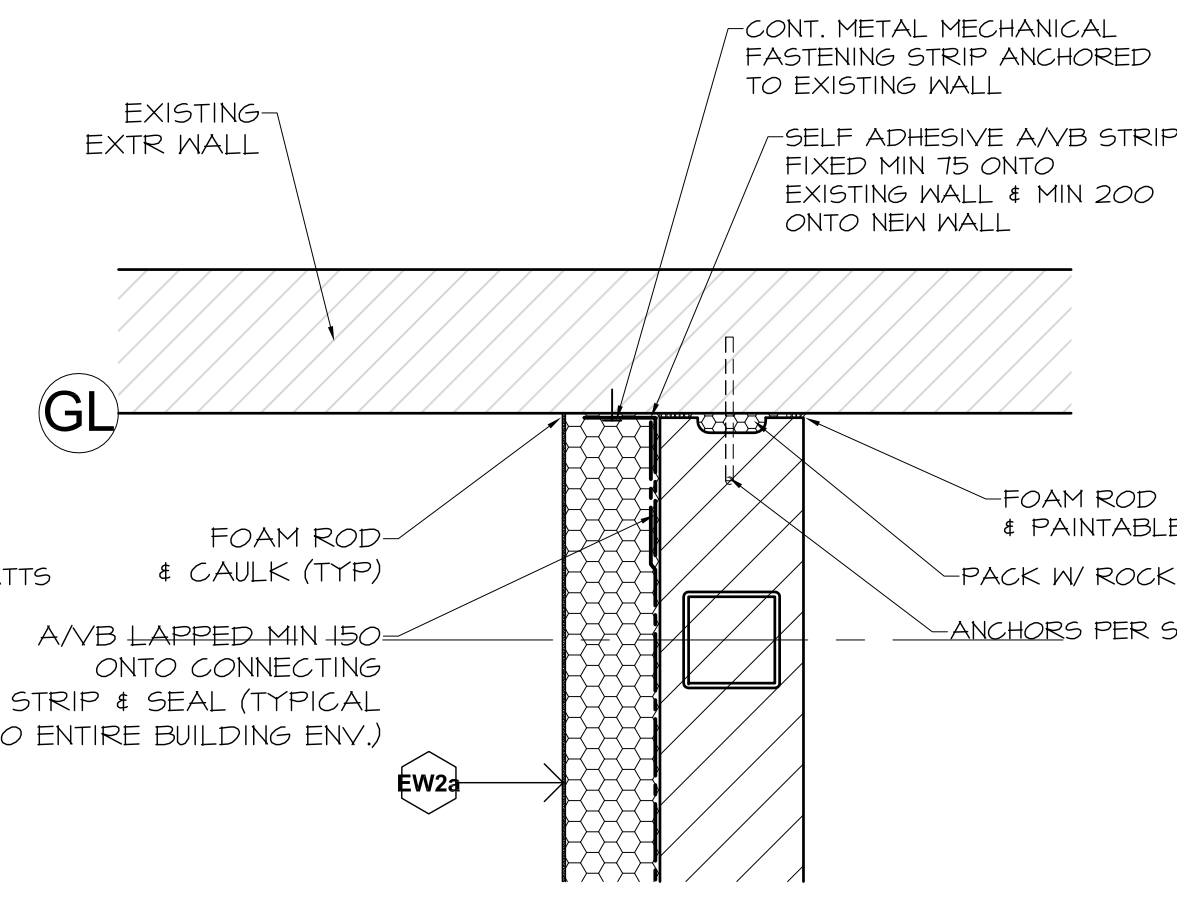
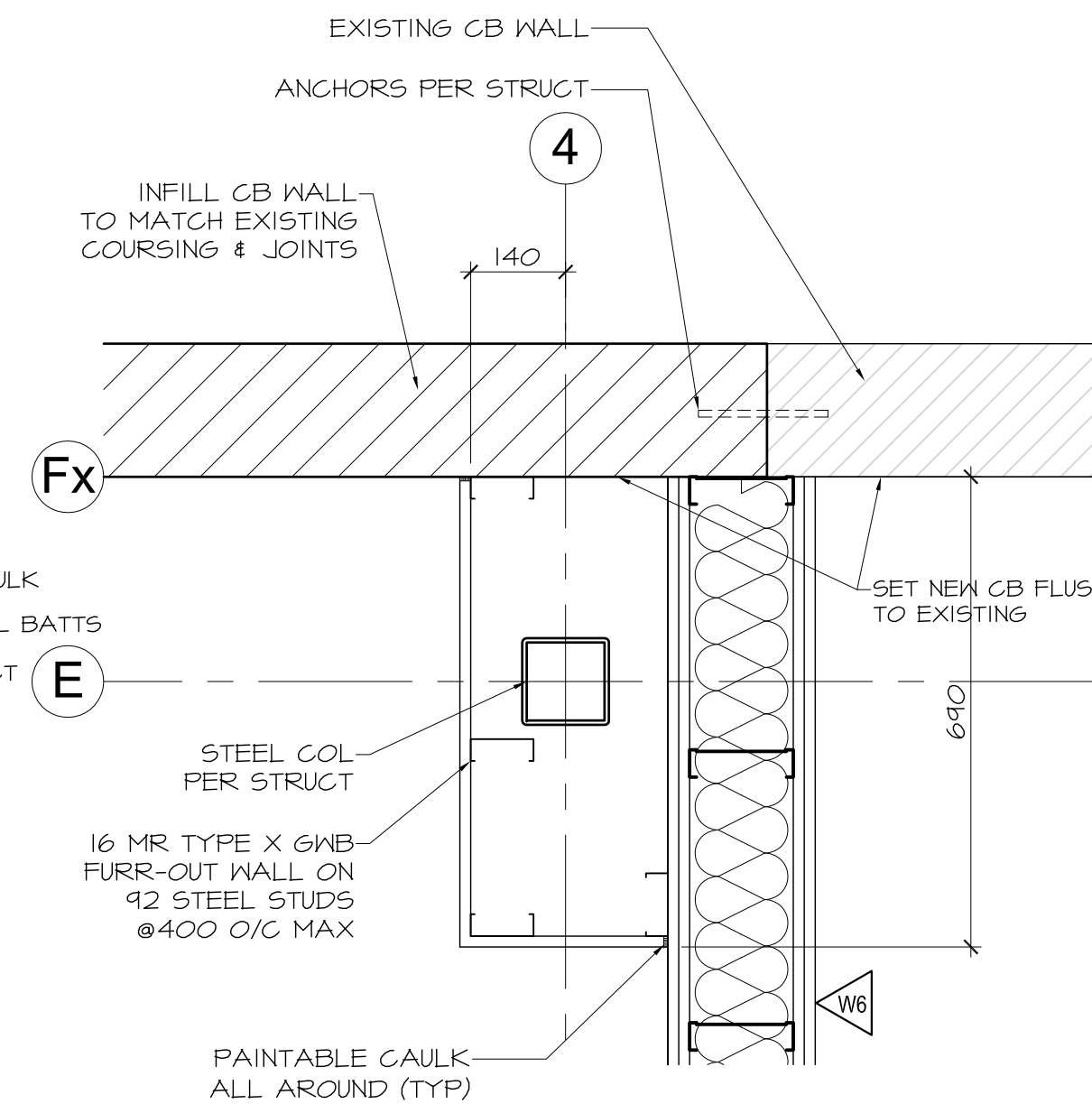


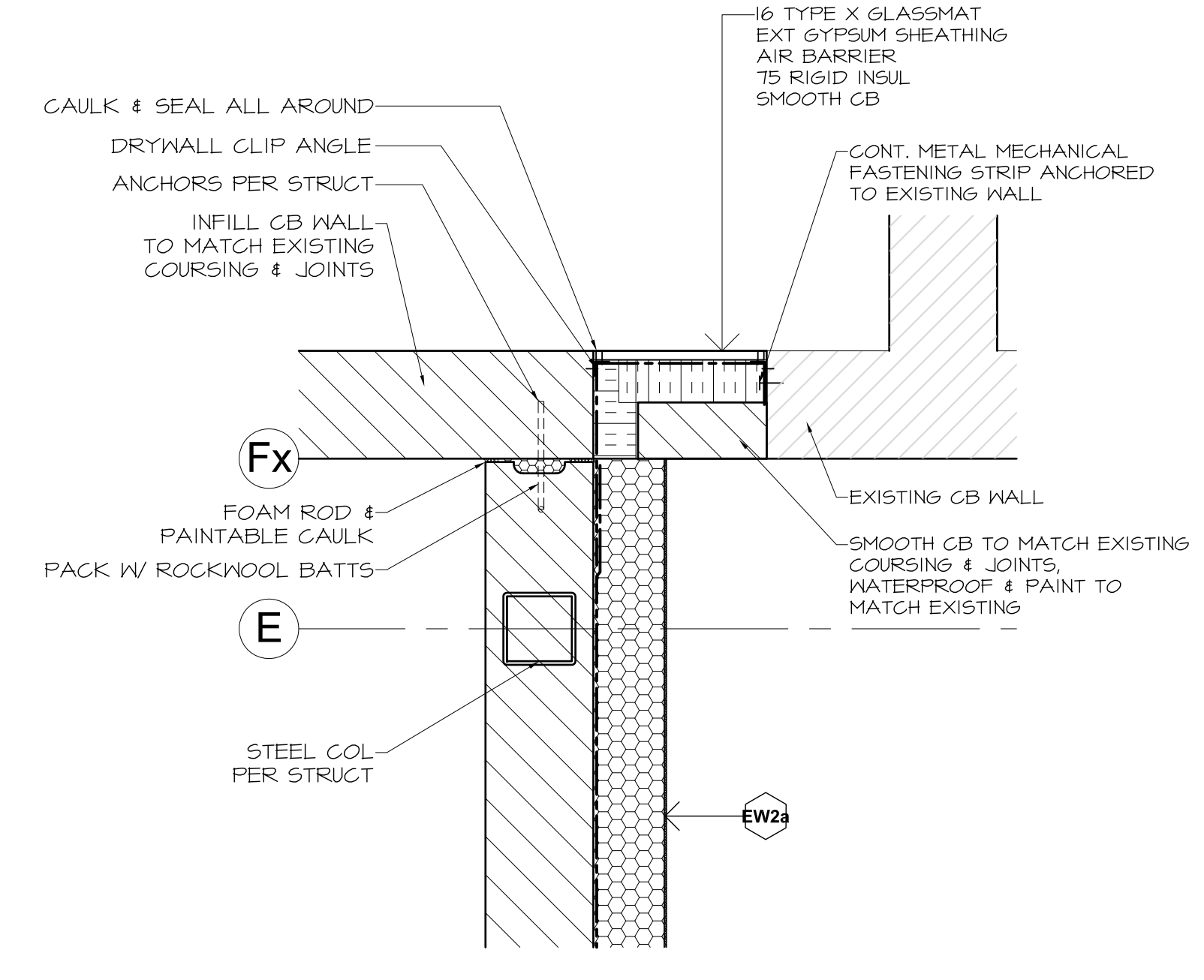
**1**  
2.1|7.1 1:10  
**EXISTING & NEW  
PLAN DETAIL, TYP**



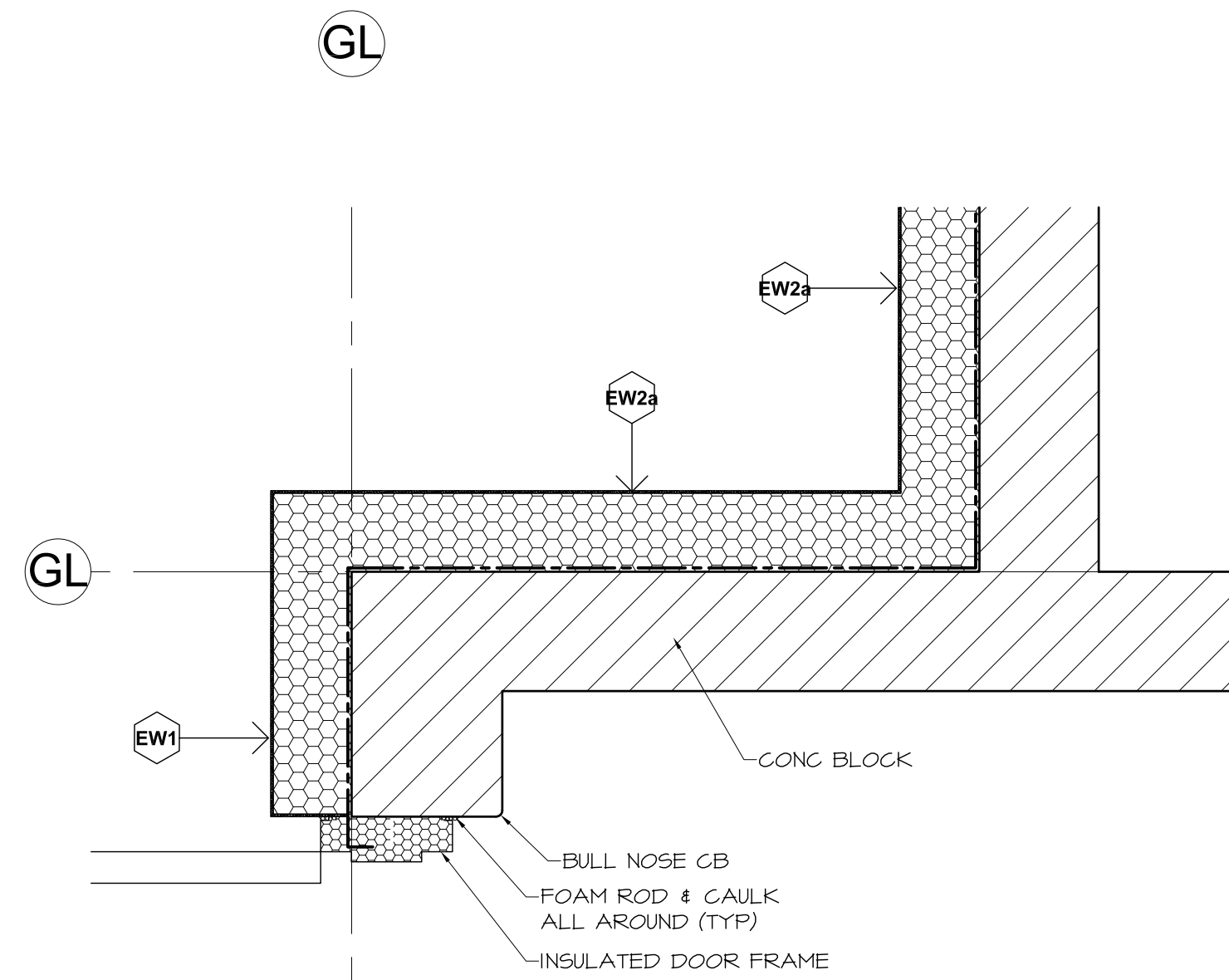
**2**  
2.1|7.1 1:10  
**EXISTING & NEW  
PLAN DETAIL, TYP**



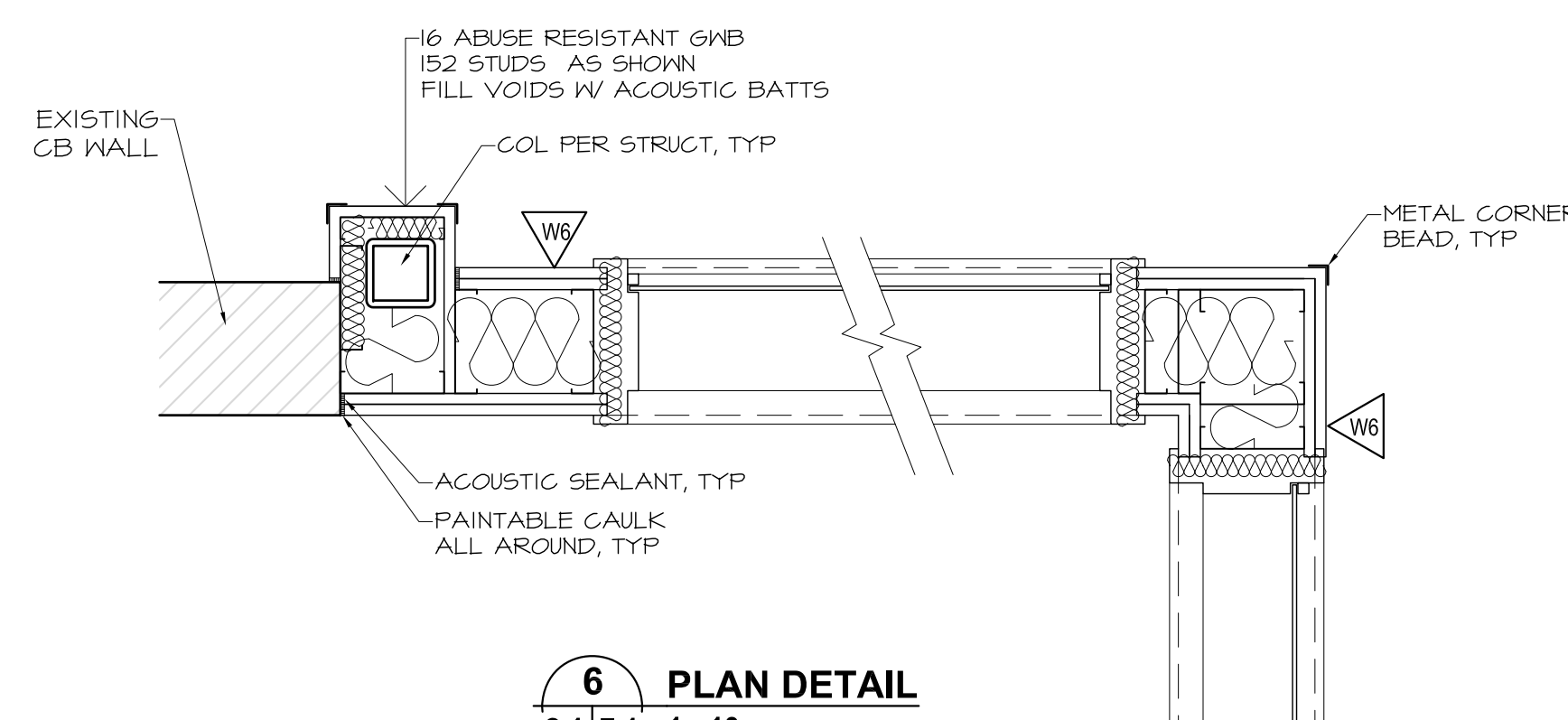
**3**  
2.1|7.1 1:10  
**PLAN DETAIL**



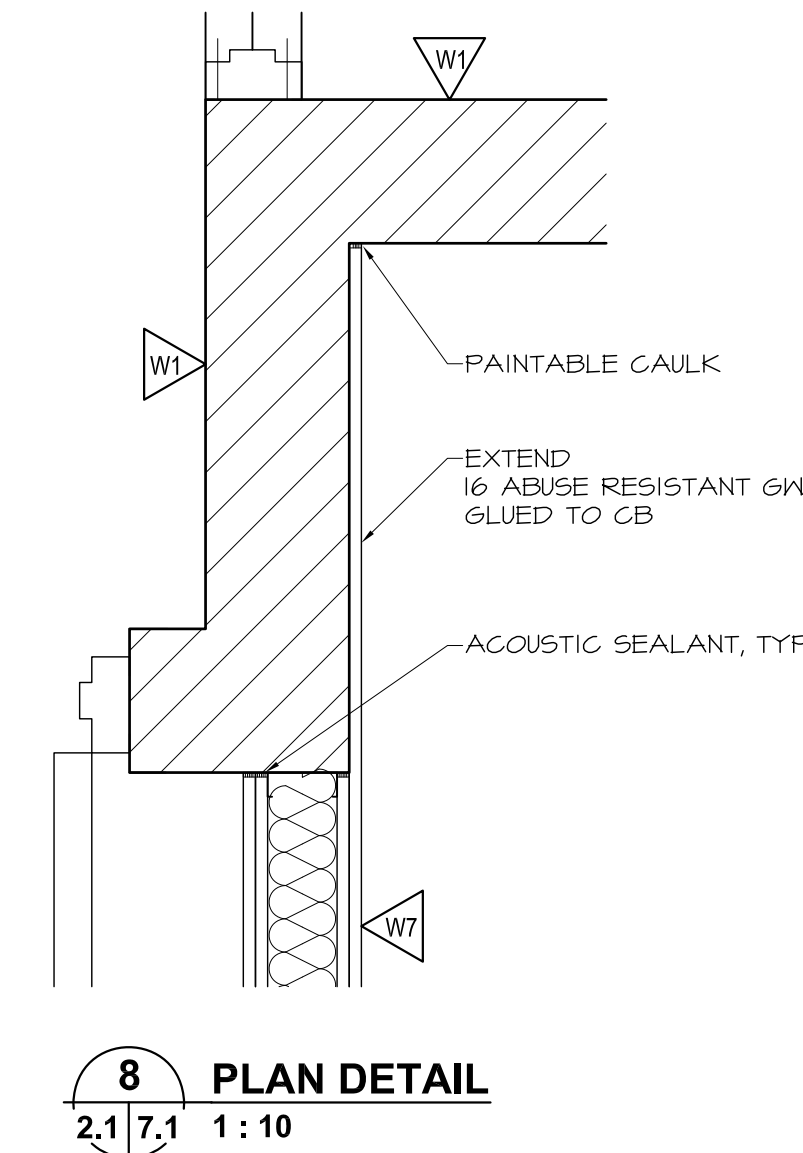
**4**  
2.1|7.1 1:10  
**PLAN DETAIL**



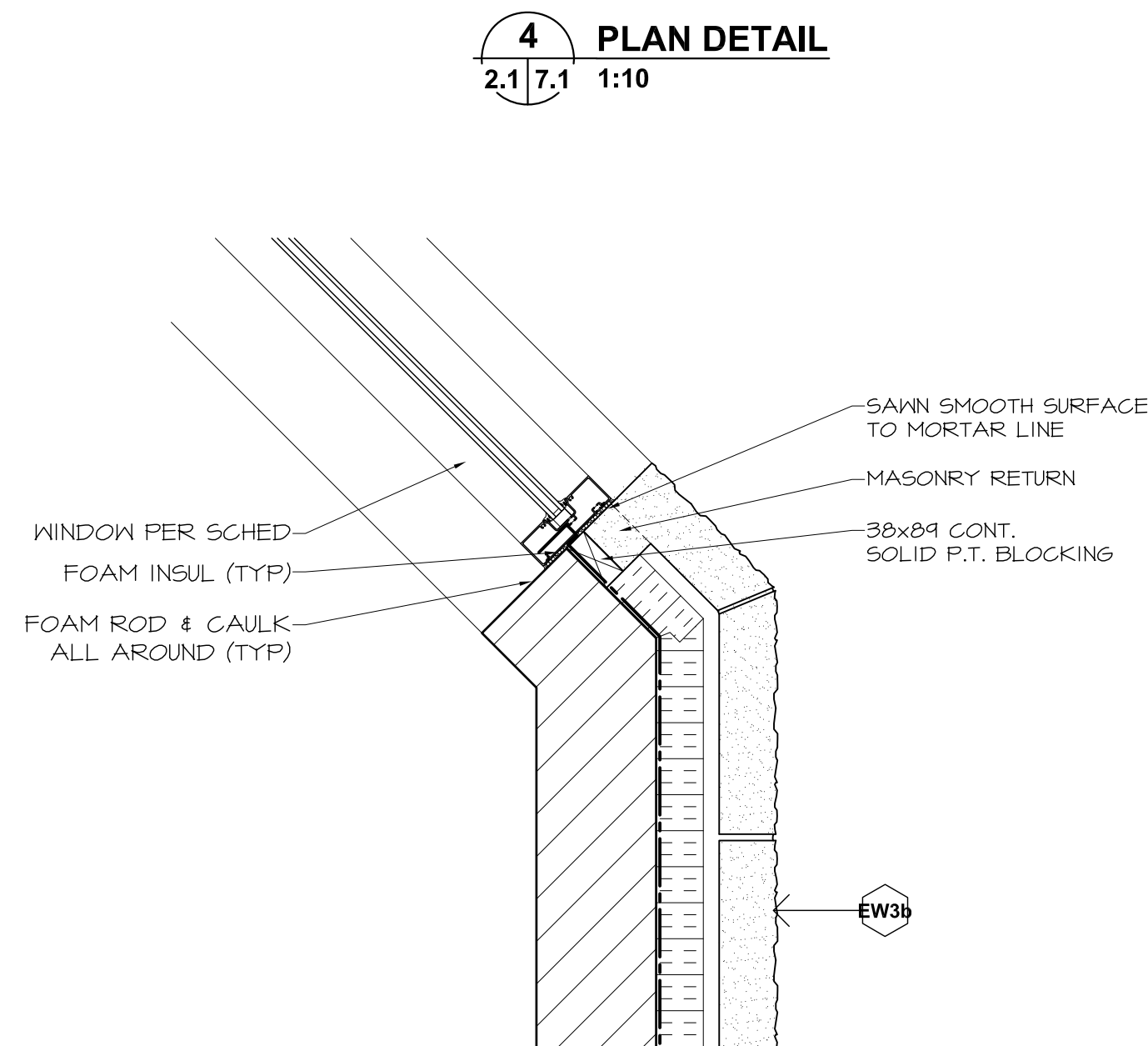
**5**  
2.1|7.1 1:10  
**PLAN DETAIL**



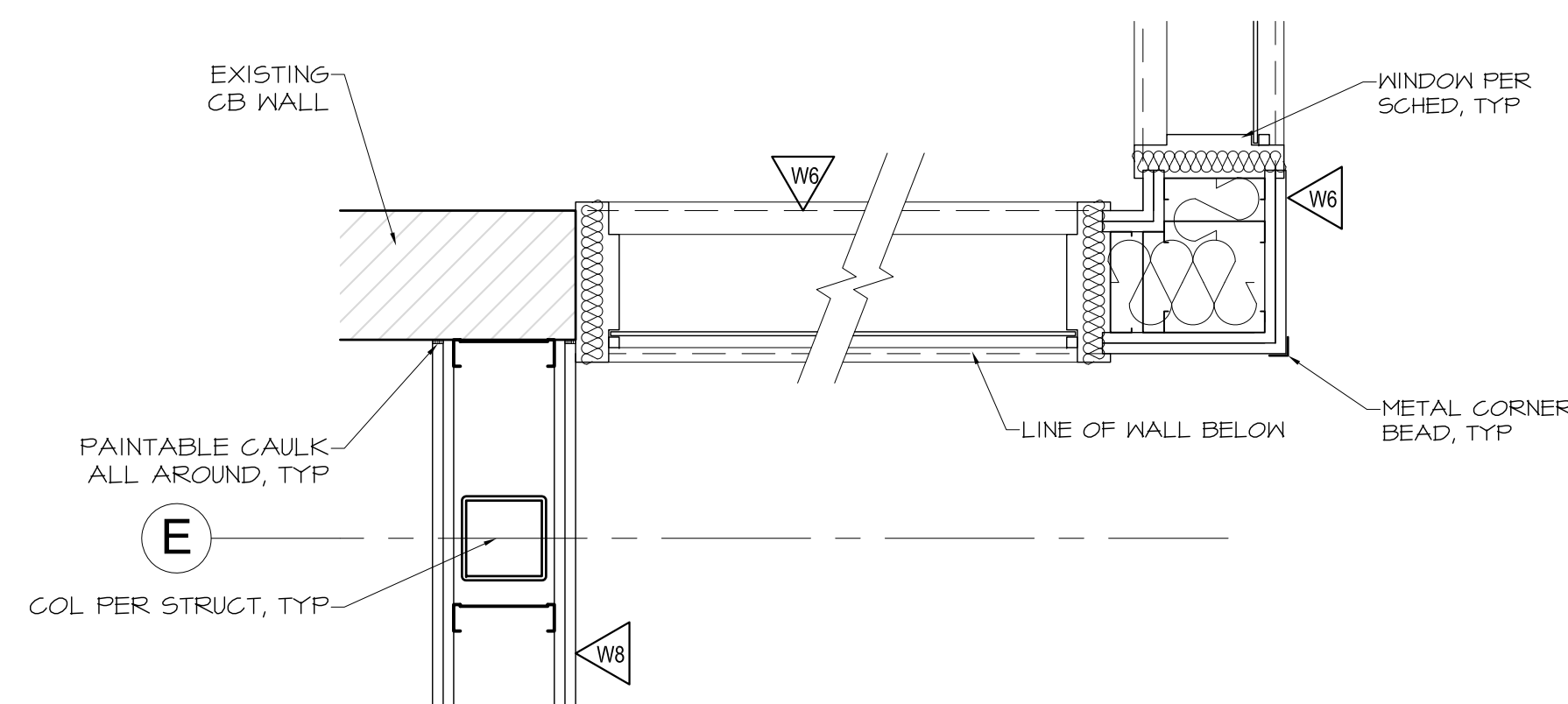
**6**  
2.1|7.1 1:10  
**PLAN DETAIL**



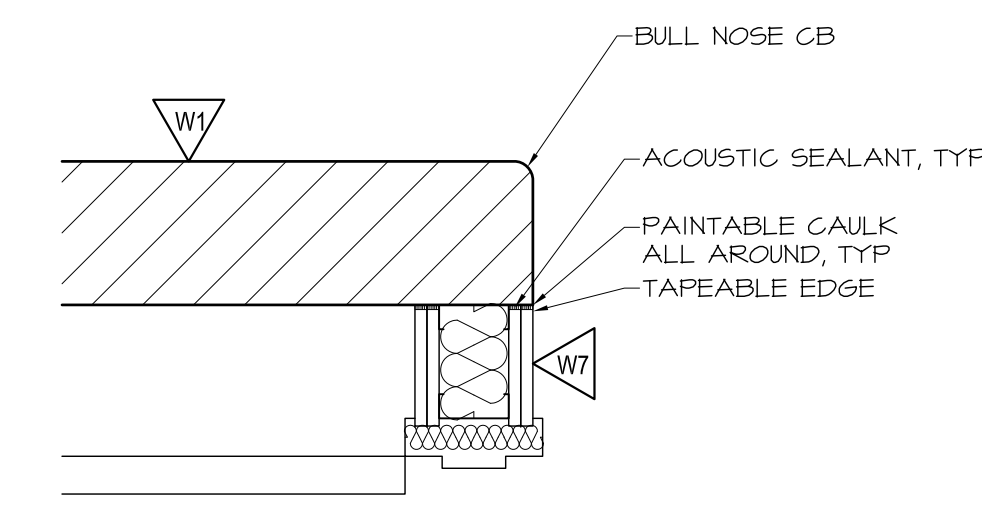
**7**  
2.1|7.1 1:10  
**PLAN DETAIL**



**8**  
2.1|7.1 1:10  
**PLAN DETAIL**



**9**  
2.1|7.1 1:10  
**PLAN DETAIL**

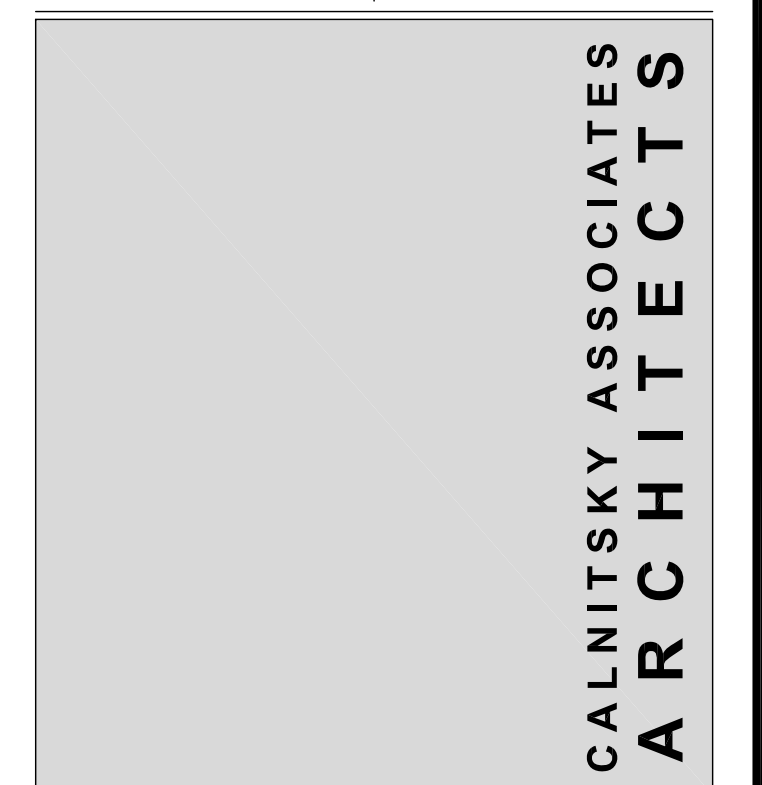


**10**  
2.1|7.1 1:10  
**PLAN DETAIL**

NO.	REVISION	DATE	BY
0	ISSUED FOR TENDER	2010.05.13	CAA

THIS DRAWING IS THE EXCLUSIVE PROPERTY OF THE ARCHITECT AND CAN BE REPRODUCED ONLY WITH THE PERMISSION OF THE ARCHITECT IN WHICH CASE THE REPRODUCTION MUST BEAR THE NAME OF THE ARCHITECT.  
THIS DRAWING SHALL NOT BE SCALED. FOLLOW GIVEN DIMENSIONS ONLY.  
THE CONTRACTOR SHALL SATISFY HIMSELF THAT ALL DIMENSIONS AND INFORMATION SHOWN ARE CORRECT.  
PRIOR TO COMMENCEMENT OF WORK REPORT ANY DISCREPANCIES TO THE ARCHITECT.  
VARIATIONS AND MODIFICATIONS TO WORK SHOWN WILL NOT BE ALLOWED WITHOUT WRITTEN PERMISSION OF THE ARCHITECT.

CONSULTANT



**CALNITSKY ASSOCIATES ARCHITECTS INC.**  
ARCHITECTURE | INTERIOR DESIGN  
124 Nassau Street North Winnipeg, Manitoba R3L 2H1  
Tel: (204) 453-6441 Fax: (204) 453-3392  
E-mail: caa@escape.ca

PROJECT TITLE  
**ADDITION & RENOVATION  
OF WINAKWA COMMUNITY  
CENTRE**  
980 WINAKWA RD, WINNIPEG  
SHEET TITLE

PLAN DETAILS

DRAWN BY	SCALE	SHEET NUMBER
CS, SM	AS SHOWN	A7.1
CHECKED BY	DATE	
CS, BM	2010.05.13	
PROJECT NO.	REV. DATE	REV. NO.
09-012		0

