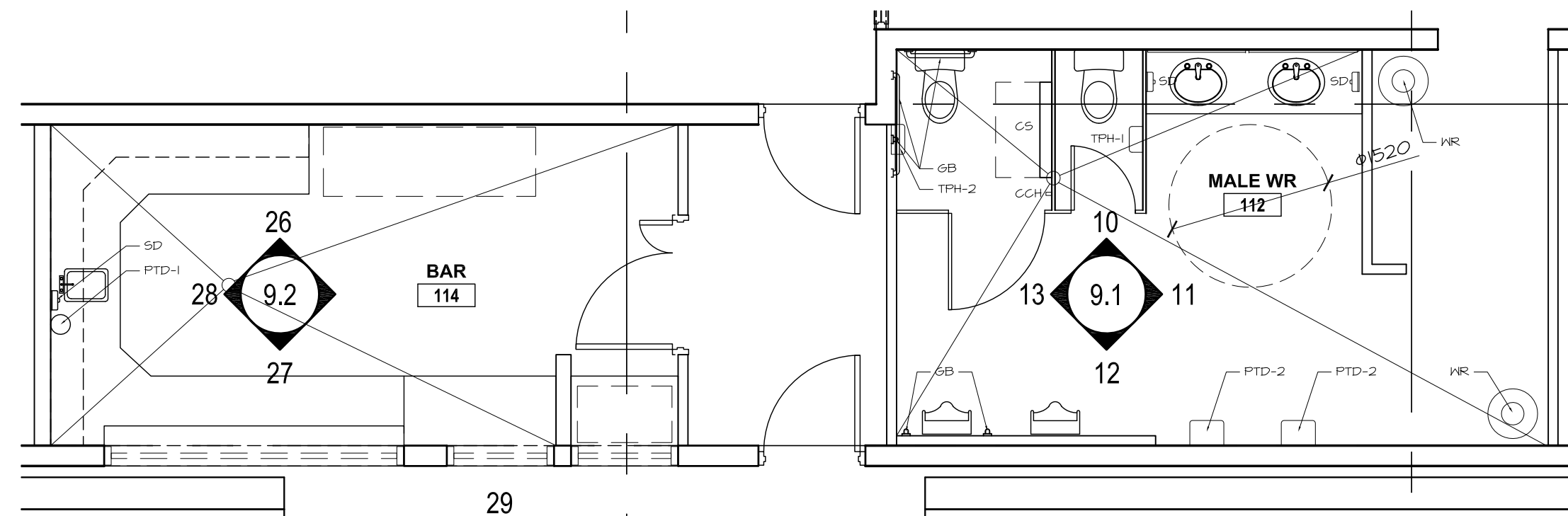
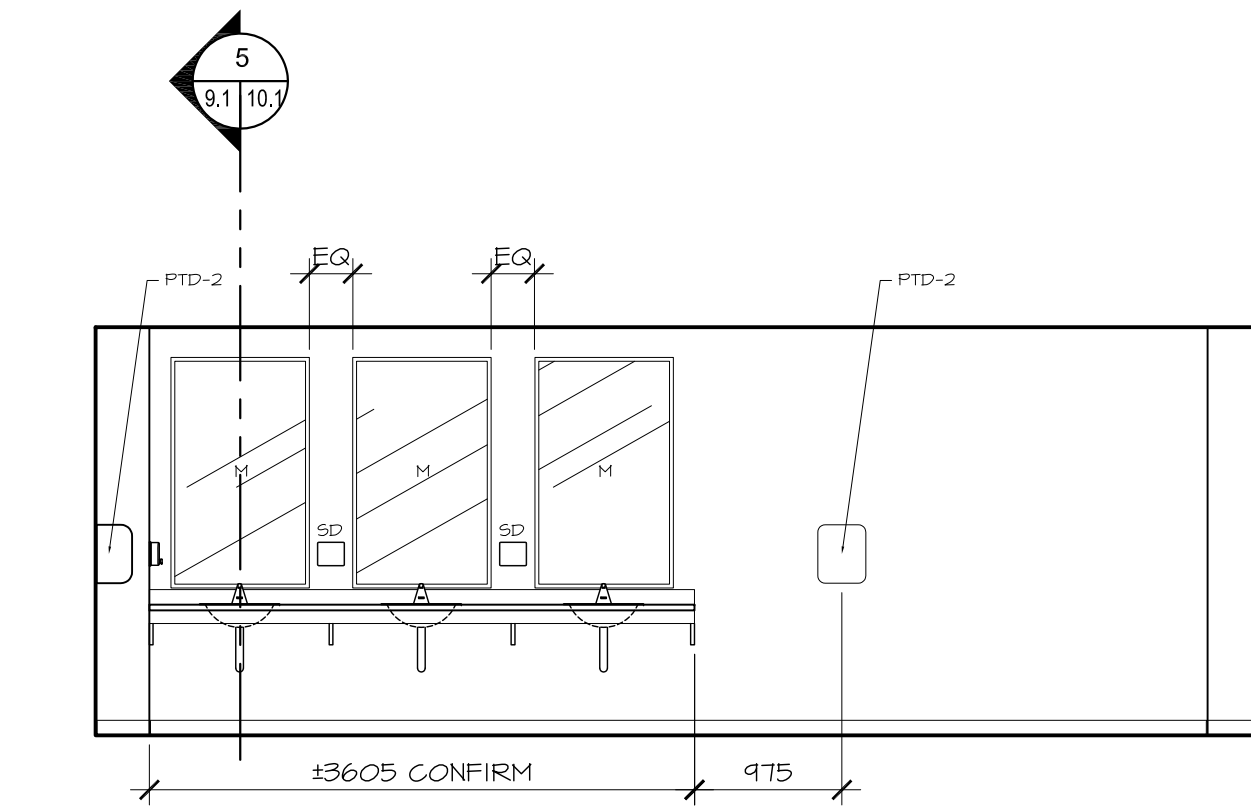


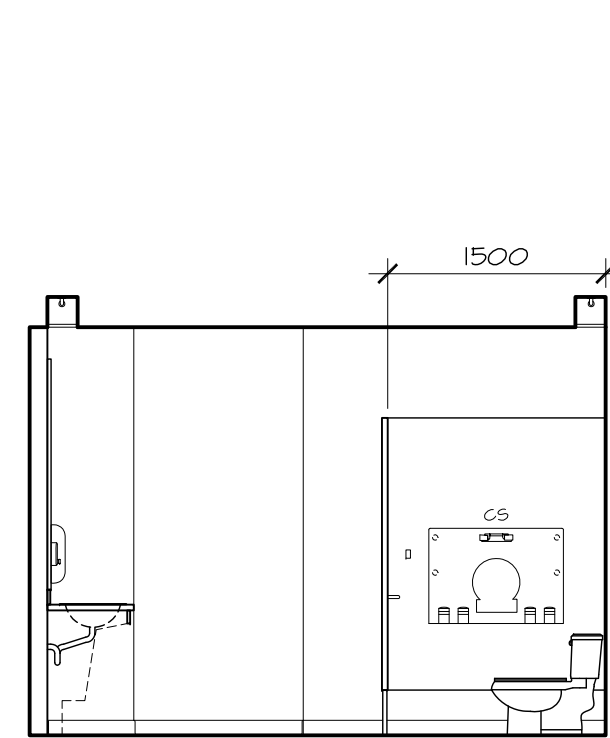
1 PARTIAL PLAN 1
2.19.1 1:50



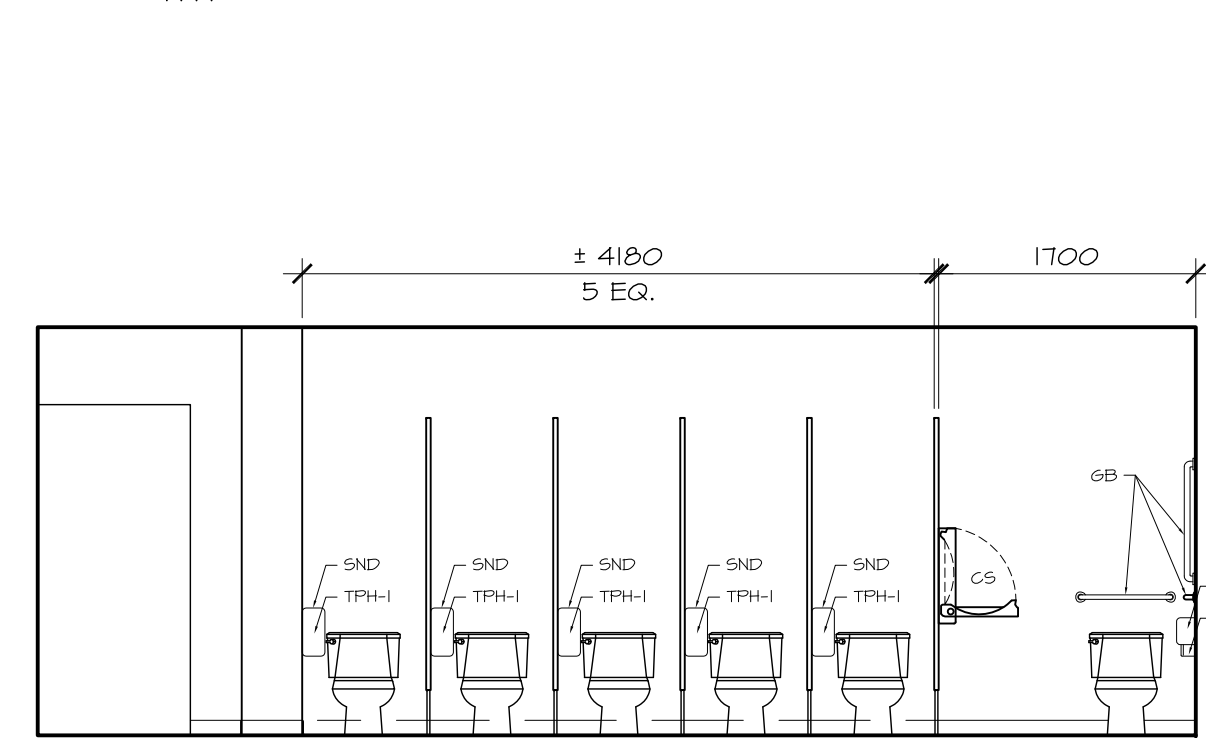
2 PARTIAL PLAN 2
2.19.1 1:50



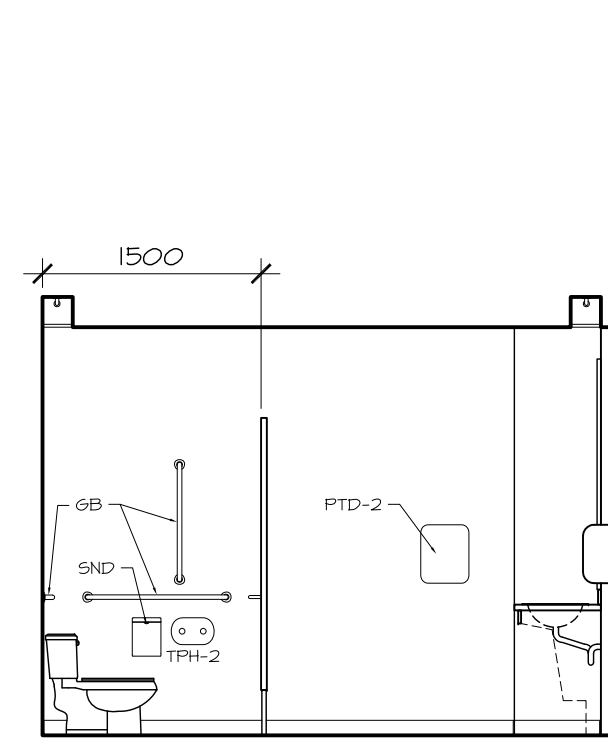
3 FEMALE W/C 117
9.19.1 1:50



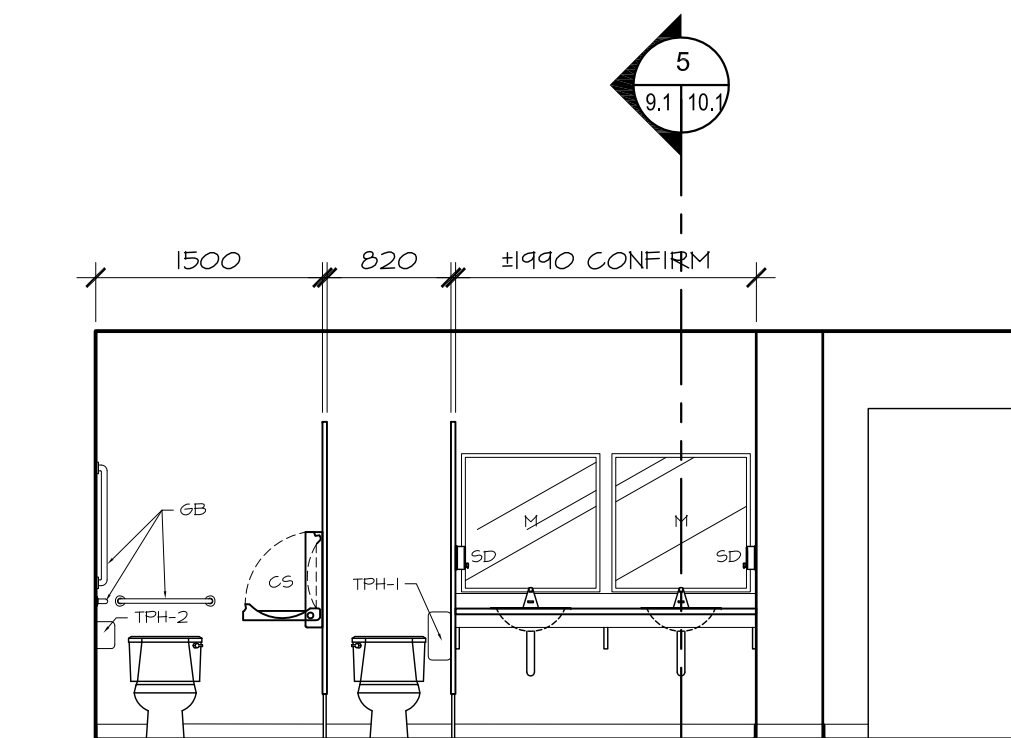
4 FEMALE W/C 117
9.19.1 1:50



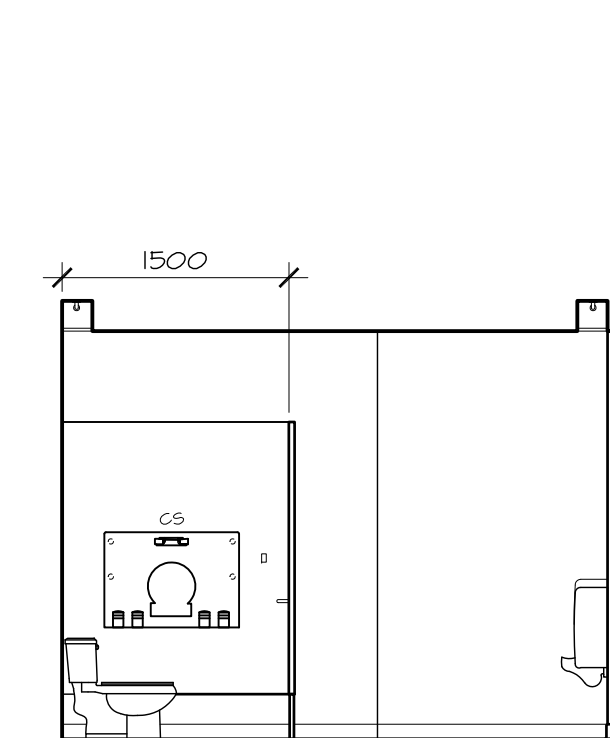
5 FEMALE W/C 117
9.19.1 1:50



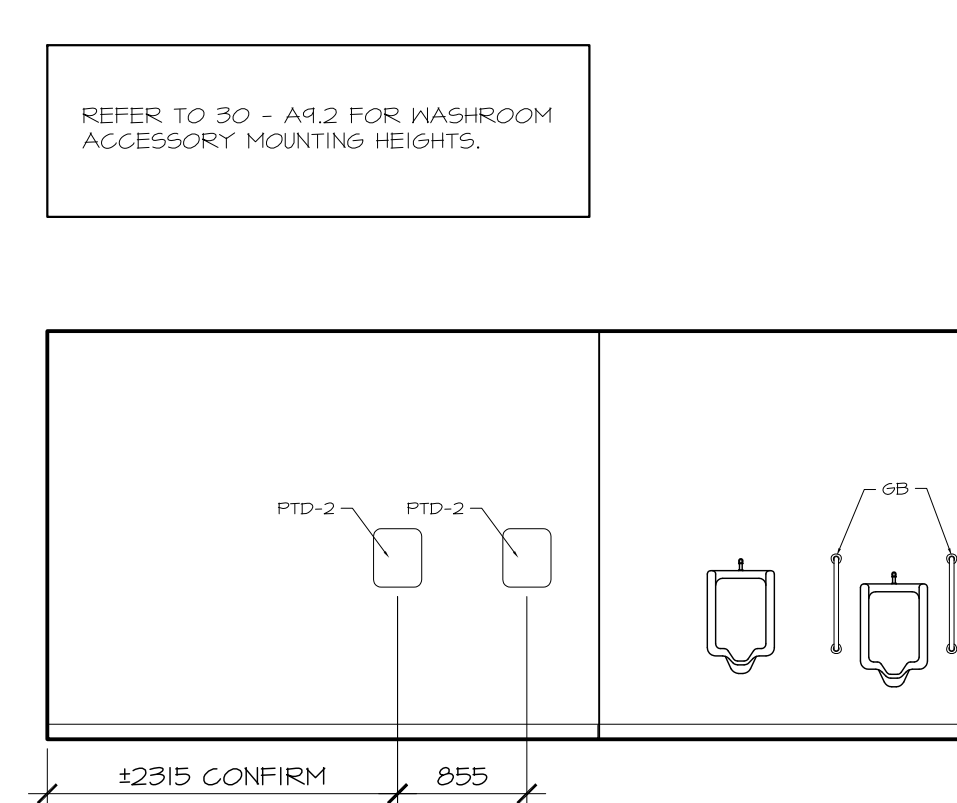
6 FEMALE W/C 117
9.19.1 1:50



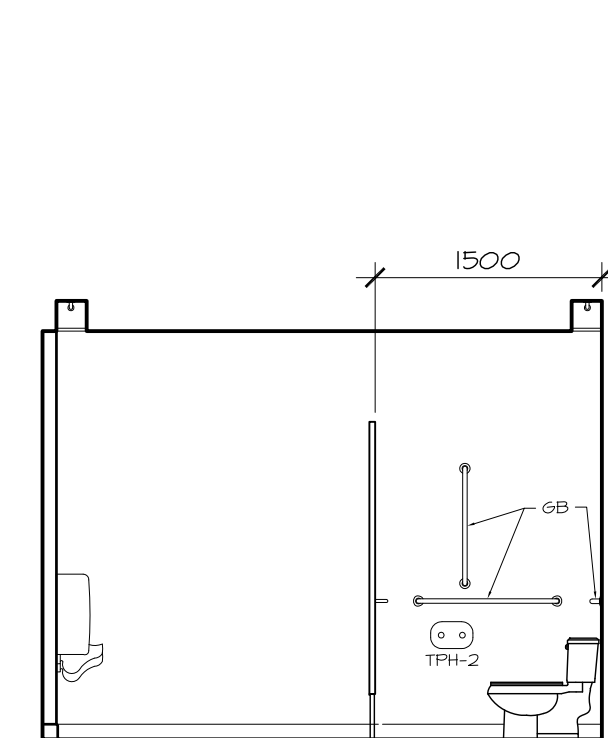
7 MALE W/C 112
9.19.1 1:50



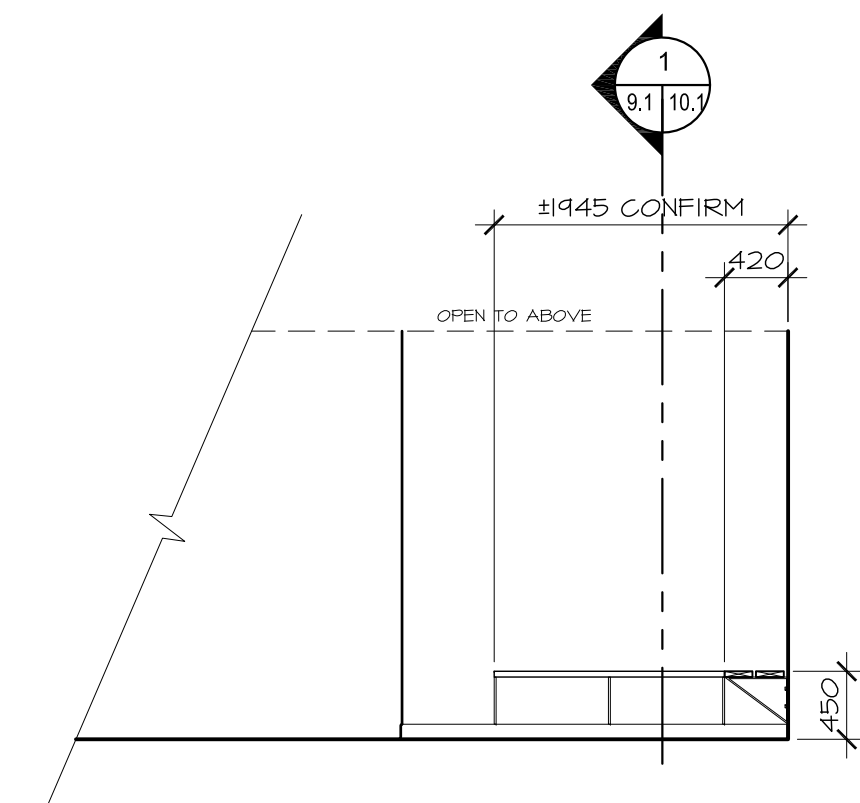
8 MALE W/C 112
9.19.1 1:50



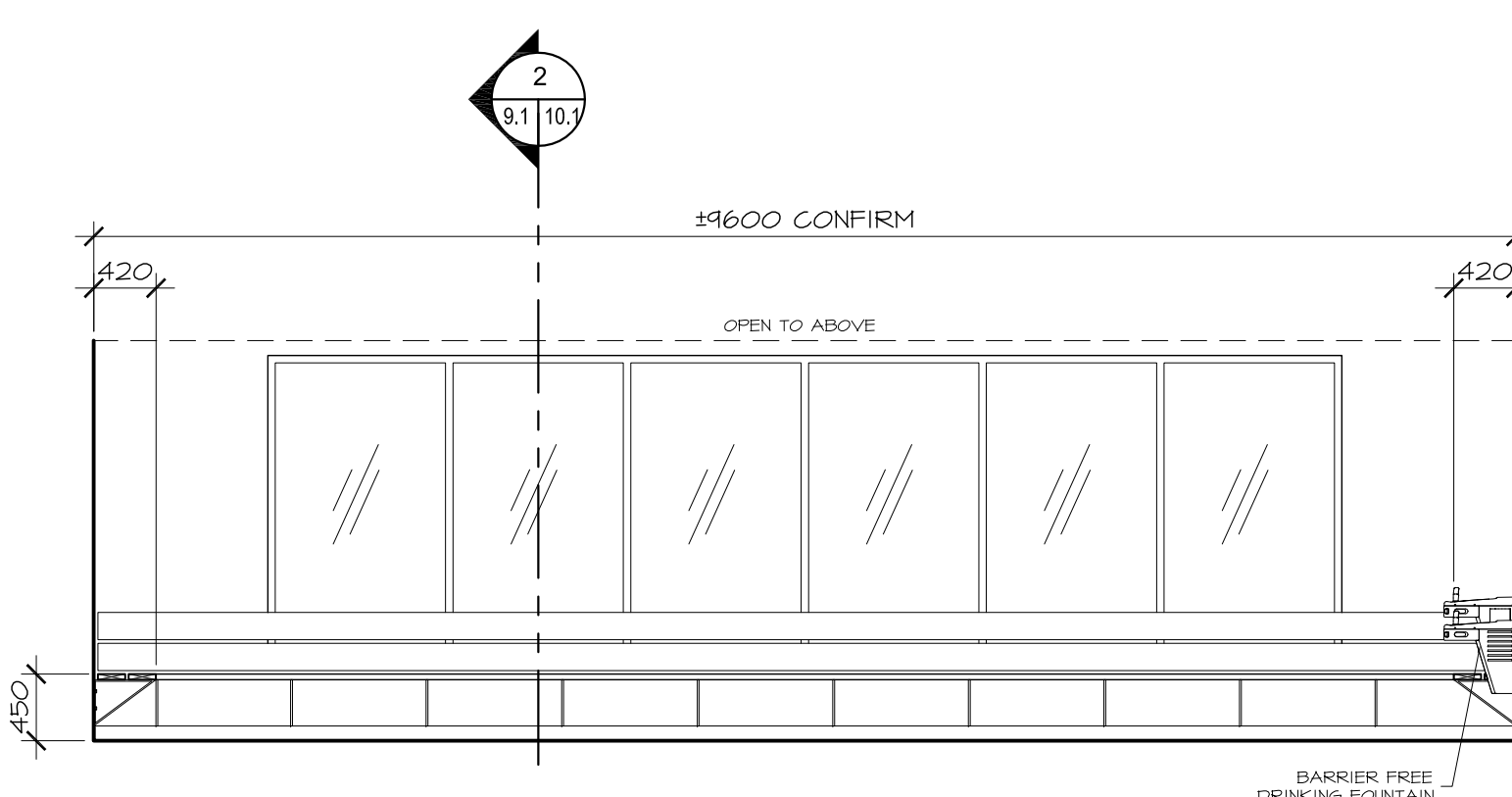
9 MALE W/C 112
9.19.1 1:50



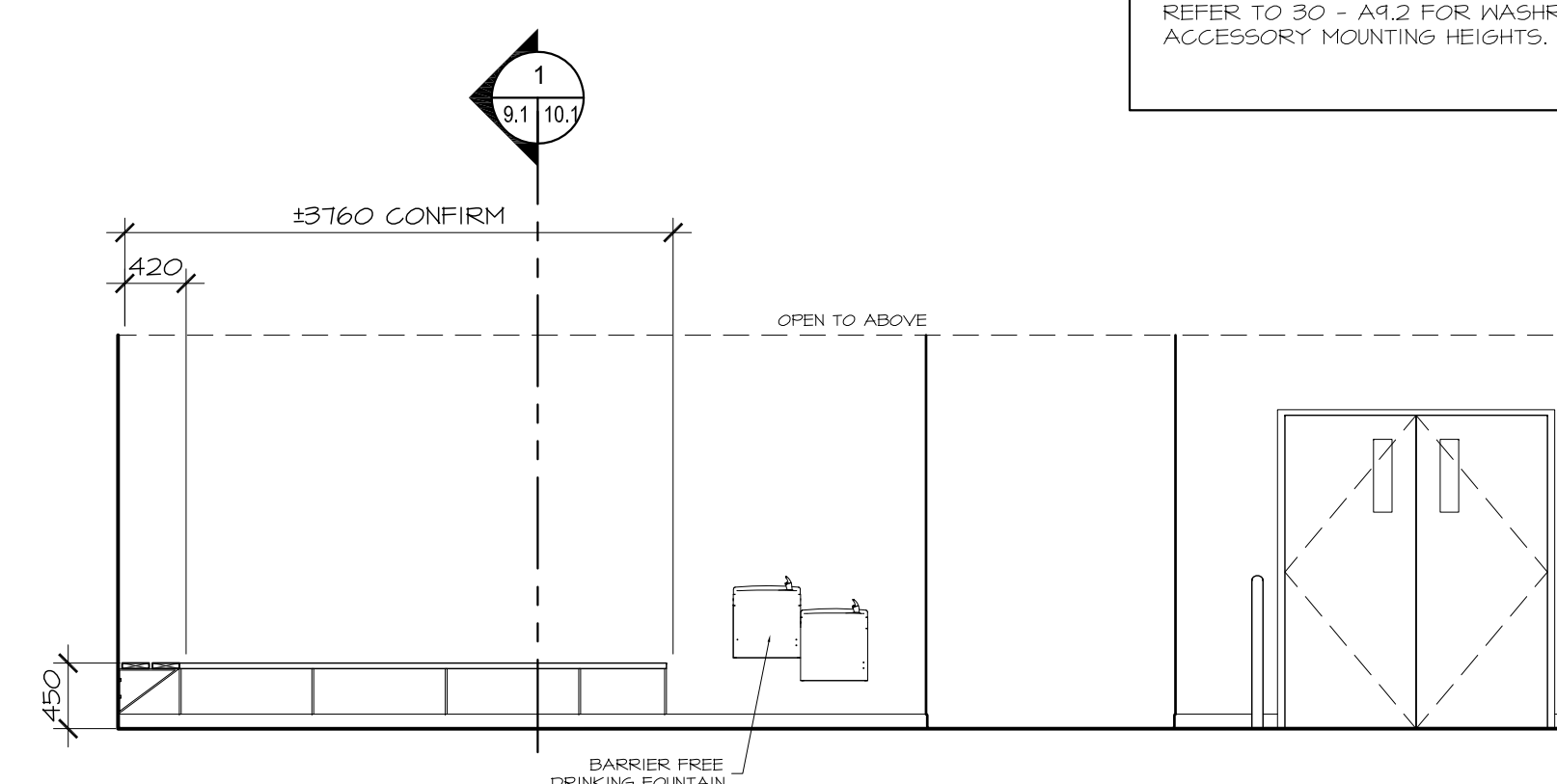
10 MALE W/C 112
9.19.1 1:50



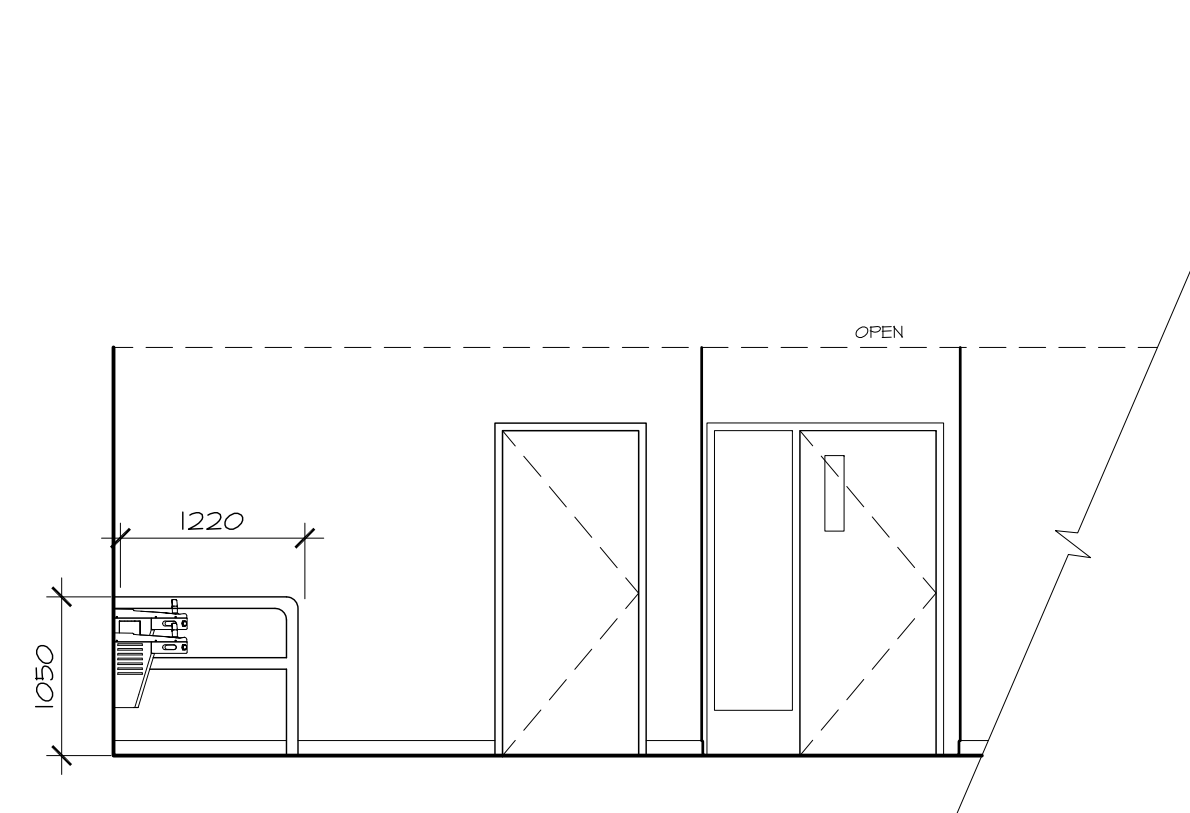
11 GRAND HALL 101
2.19.1 1:50



12 GRAND HALL 101
2.19.1 1:50



13 GRAND HALL 101
2.19.1 1:50



14 GRAND HALL 101
2.19.2 1:50

REFER TO 30 - A4.2 FOR WASHROOM ACCESSORY MOUNTING HEIGHTS.

REFER TO 30 - A4.2 FOR WASHROOM ACCESSORY MOUNTING HEIGHTS.

MILLWORK CONTRACTOR SHALL CONFIRM FIXTURE / AFFLANGE DIMENSIONS WITH OWNER & COORDINATE OPENING SIZES FOR FIXTURES WITHIN MILLWORK

ABBREVIATIONS:

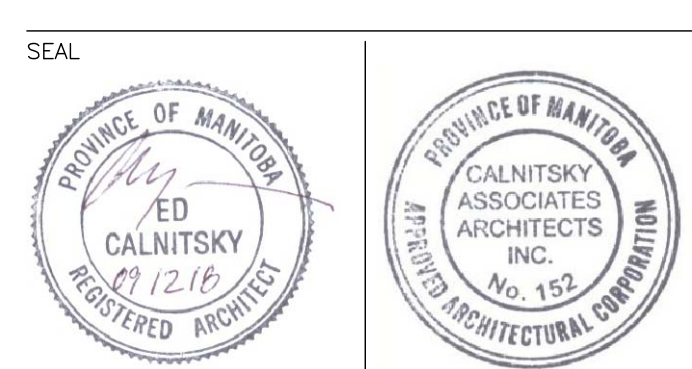
CCH	COLLAPSIBLE COAT HOOK
CS	CHANGE STATION
GB	GRAB BAR
M	MIRROR
NIC	NOT IN CONTRACT
PTD-1	MERFIM PAPER TOWEL DISPENSER NO. 1003 (SEE NOTE 2)
PTD-2	MERFIM PAPER TOWEL DISPENSER NO. 1004 (SEE NOTE 2)
SD	SOAP DISPENSER (SEE NOTE 2)
TDP-1	SANITARY NAPKIN DISPOSAL MERFIM TOILET PAPER DISPENSER NO. 2200 (SEE NOTE 2)
TPD-2	MERFIM TOILET PAPER DISPENSER NO. 2500 (SEE NOTE 2)
WR	WASTE RECEPTACLE

NOTES:
1. PROVIDE BACKING AS REQUIRED FOR ALL WASHROOM ACCESSORIES
2. PAPER TOWEL, TOILET PAPER & SOAP DISPENSERS: OWNER SUPPLIED, CONTRACTOR INSTALLED.

0	ISSUED FOR TENDER	2010.05.13	CAA
NO. REVISION	DATE	BY	

THIS DRAWING IS THE EXCLUSIVE PROPERTY OF THE ARCHITECT AND CAN BE REPRODUCED ONLY WITH THE PERMISSION OF THE ARCHITECT IN WHOM CASE THE REPRODUCTION MUST BEAR THE NAME OF THE ARCHITECT.
THIS DRAWING SHALL NOT BE SCALED. FOLLOW GIVEN DIMENSIONS ONLY.
THE CONTRACTOR SHALL SATISFY HIMSELF THAT ALL DIMENSIONS AND INFORMATION SHOWN ARE CORRECT.
PRIOR TO COMMENCEMENT OF WORK REPORT ANY DISCREPANCIES TO THE ARCHITECT.
VARIATIONS AND MODIFICATIONS TO WORK SHOWN WILL NOT BE ALLOWED WITHOUT WRITTEN PERMISSION OF THE ARCHITECT.

CONSULTANT



CALNITSKY ASSOCIATES ARCHITECTS

CALNITSKY ASSOCIATES ARCHITECTS INC.

ARCHITECTURE | INTERIOR DESIGN
124 Nassau Street North | Winnipeg, Manitoba R3L 2H1
Tel: (204) 453-6441 | Fax: (204) 453-3392
E-mail: caa@escape.ca

PROJECT TITLE
ADDITION & RENOVATION OF WINAKWA COMMUNITY CENTRE

980 WINAKWA RD, WINNIPEG

SHEET TITLE

INTERIOR ELEVATIONS

DRAWN BY	SCALE	SHEET NUMBER
AM	AS SHOWN	A9.1
CHECKED BY	DATE	
BM	2010.05.13	
PROJECT NO.	REV. DATE	REV. NO.
09-012		0