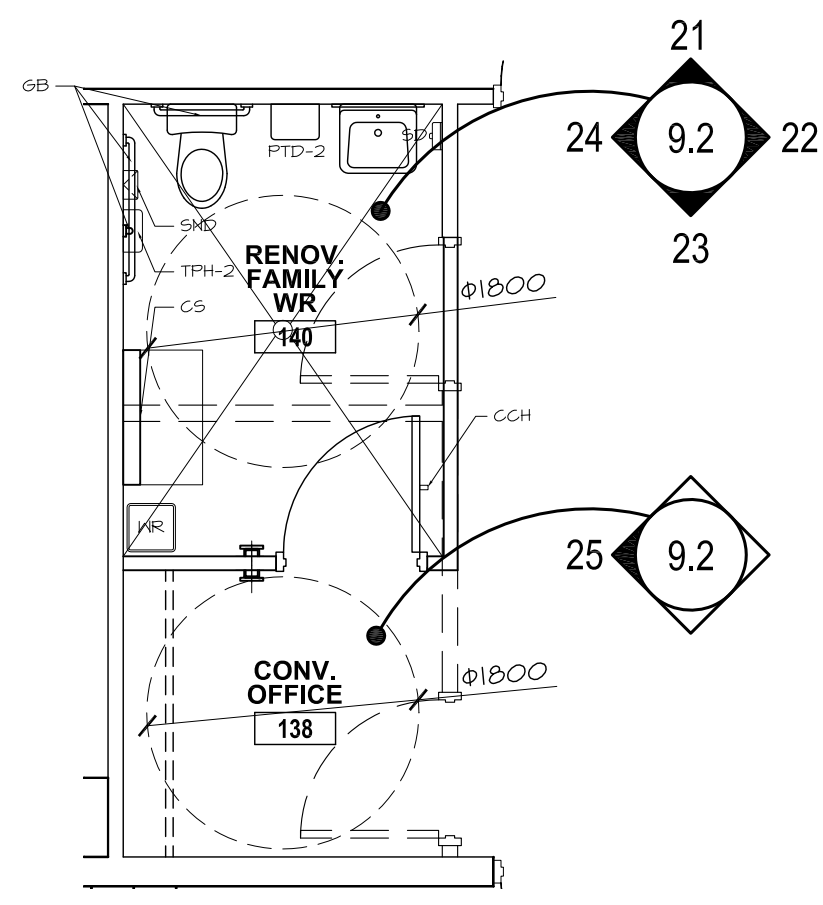
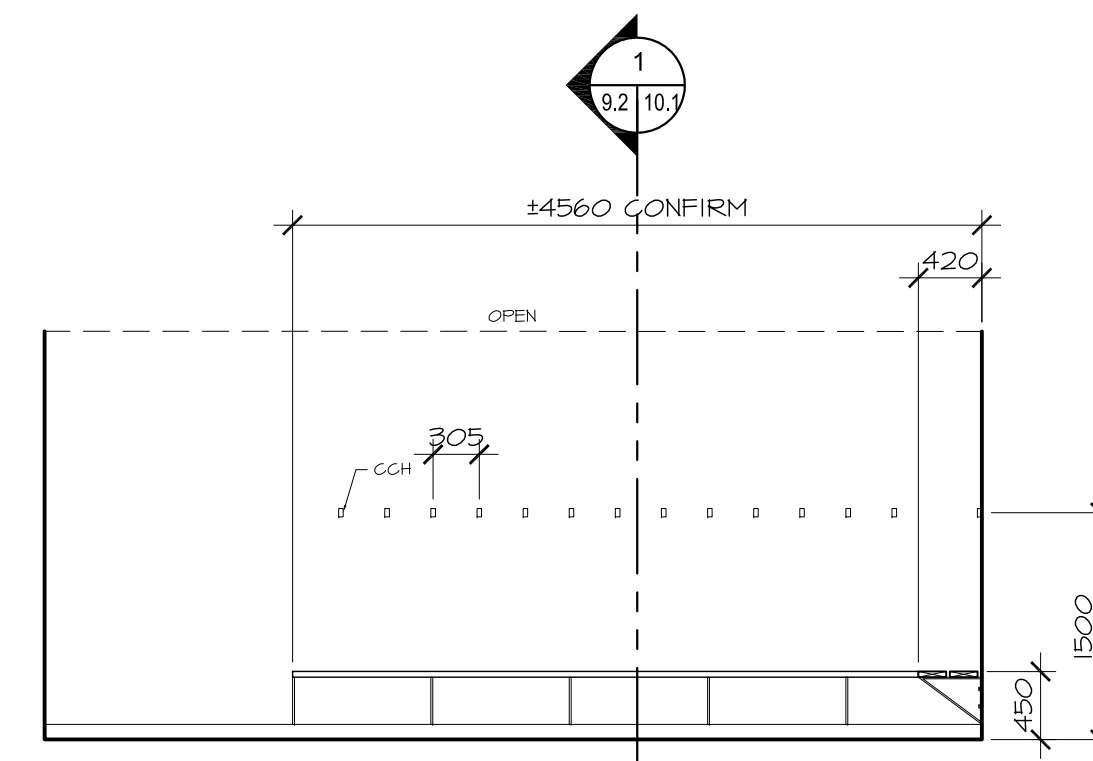


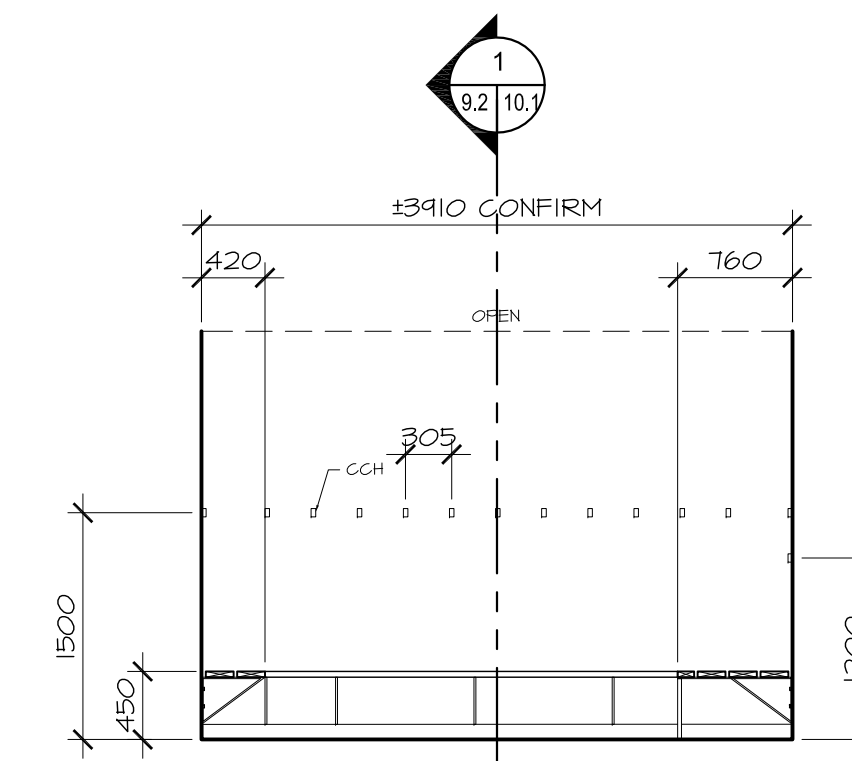
15 PARTIAL PLAN 4 (TYP.)
2.19.2 1:50



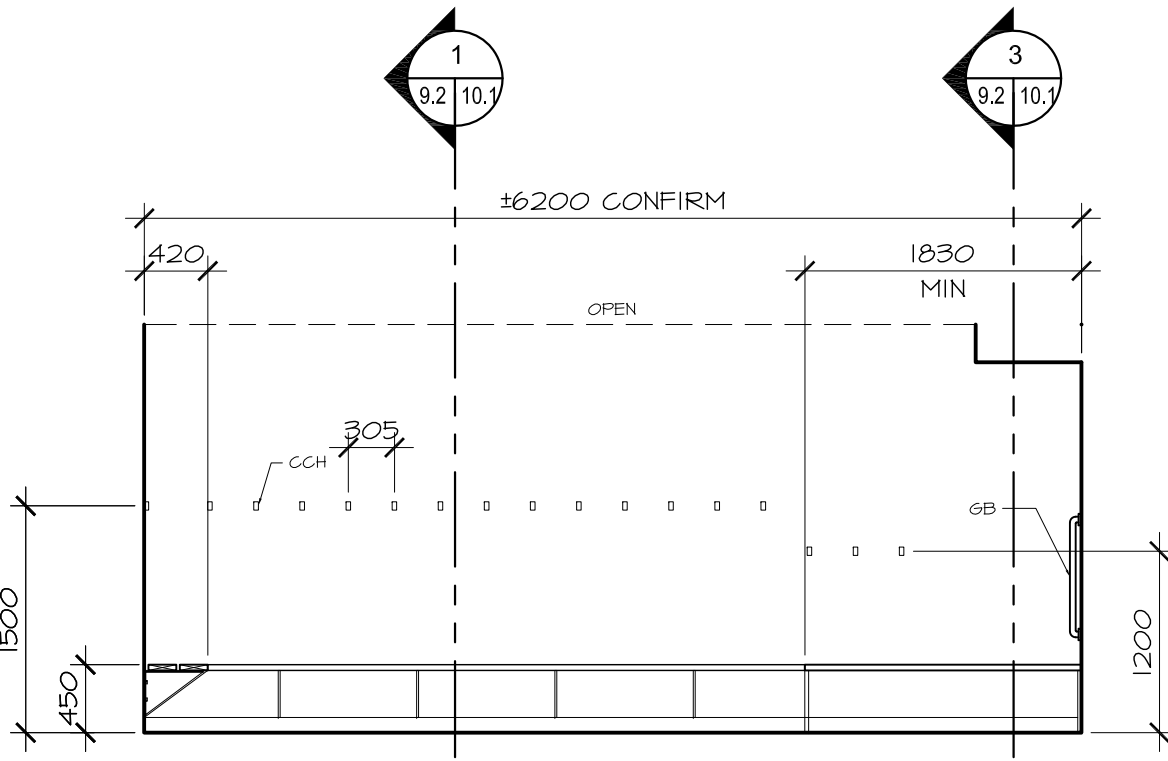
16 PARTIAL PLAN 3
2.19.2 1:50



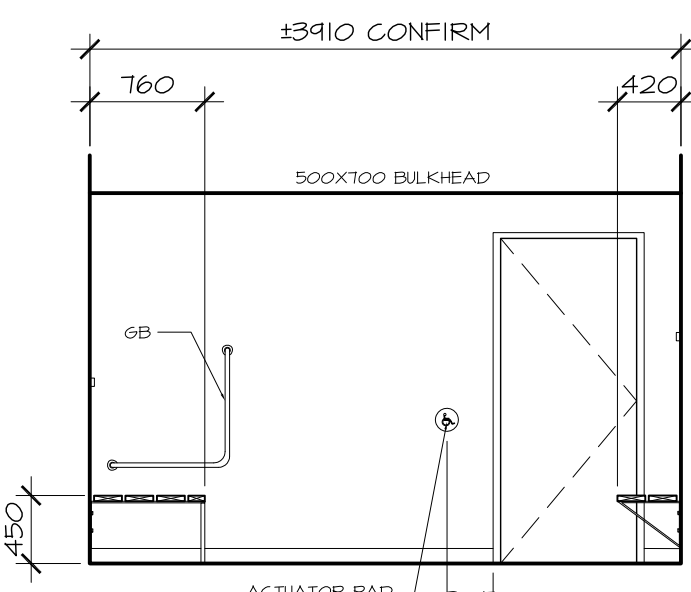
17 CHANGE ROOM 105 (TYP.)
9.29.2 1:50



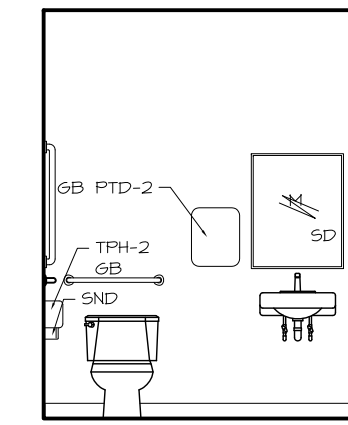
18 CHANGE ROOM 105 (TYP.)
9.29.2 1:50



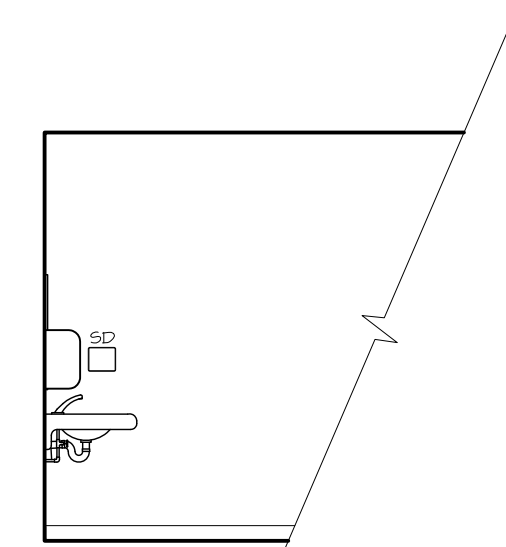
19 CHANGE ROOM 105 (TYP.)
9.29.2 1:50



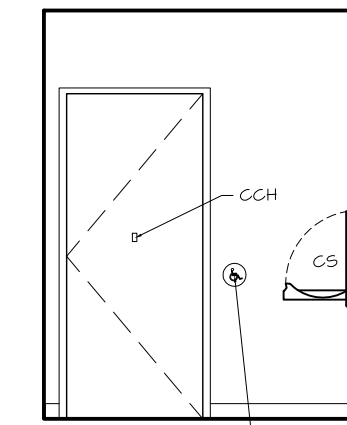
20 CHANGE ROOM 105 (TYP.)
9.29.2 1:50



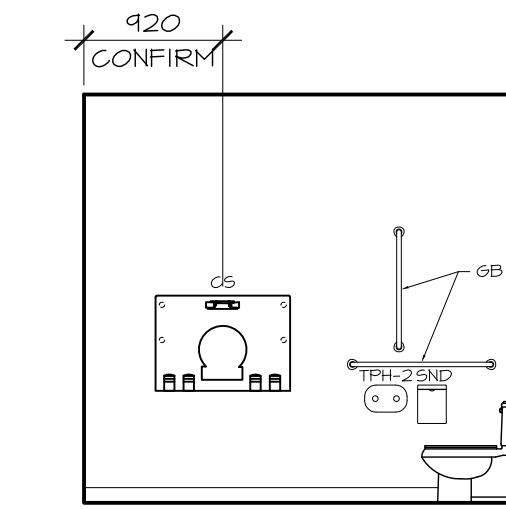
21 RENOV. FAMILY WASHROOM 140
9.29.2 1:50



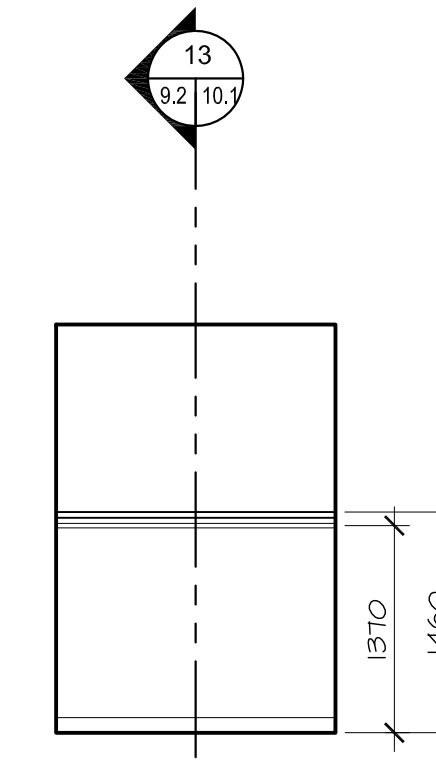
22 RENOV. FAMILY WASHROOM 140
9.29.2 1:50



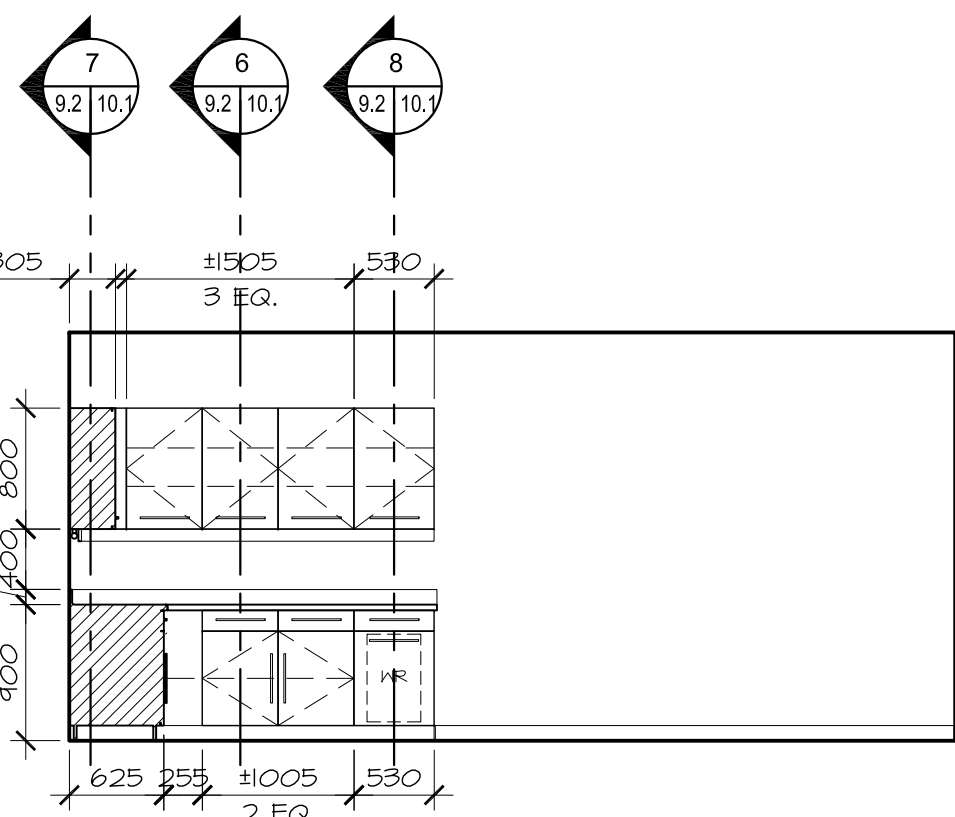
23 RENOV. FAMILY WASHROOM 140
9.29.2 1:50



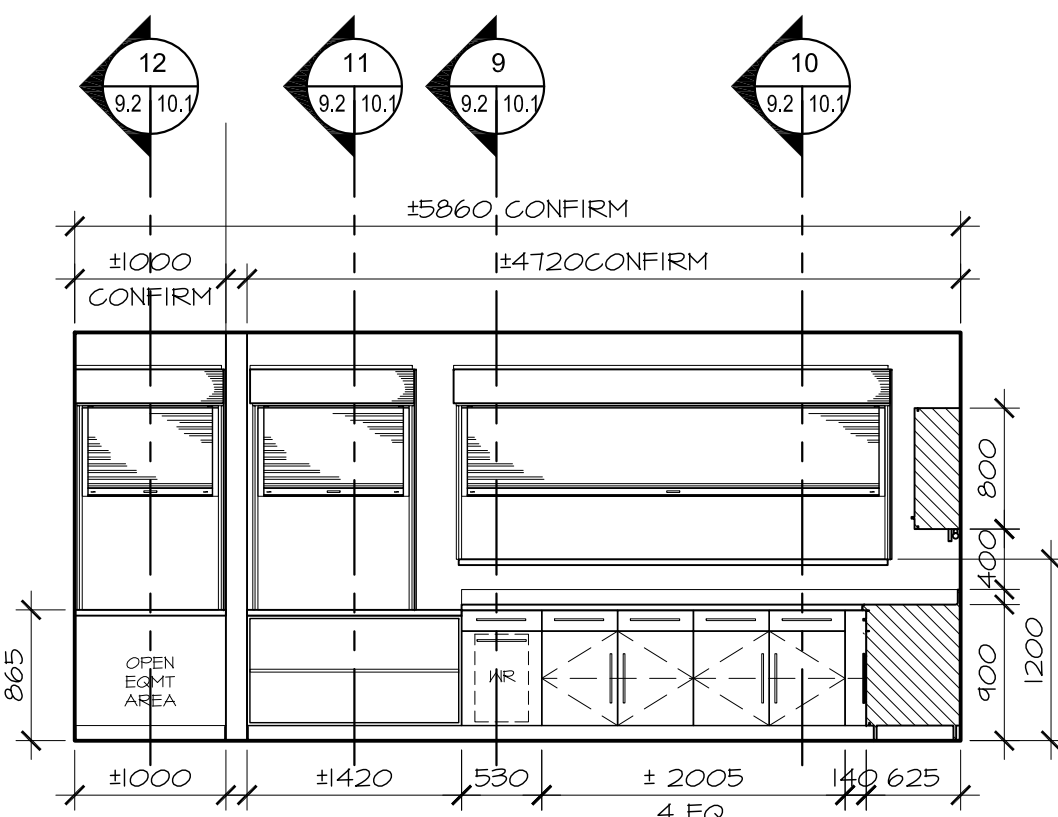
24 RENOV. FAMILY WASHROOM 140
9.29.2 1:50



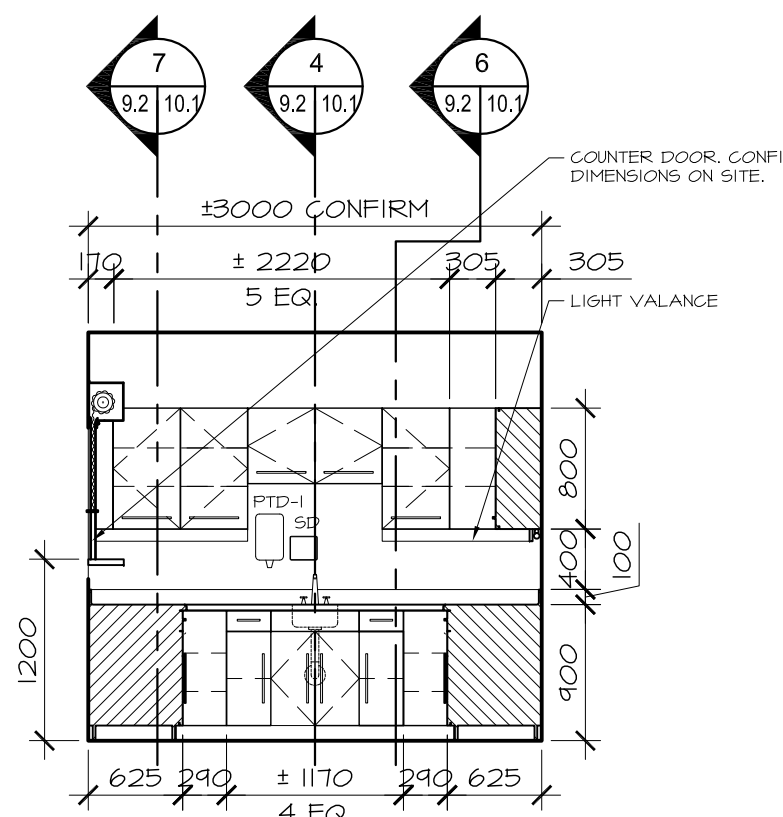
25 CONV. OFFICE 138
9.29.2 1:50



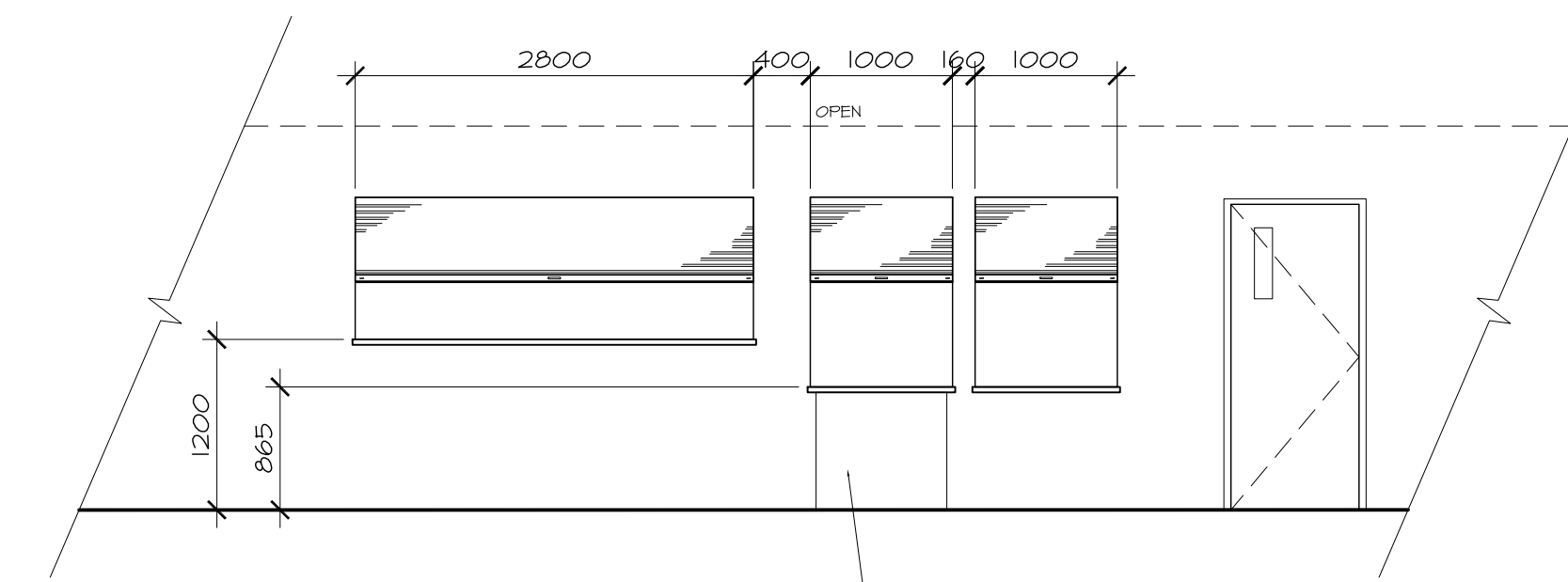
26 STORAGE/BAR 114
9.19.2 1:50



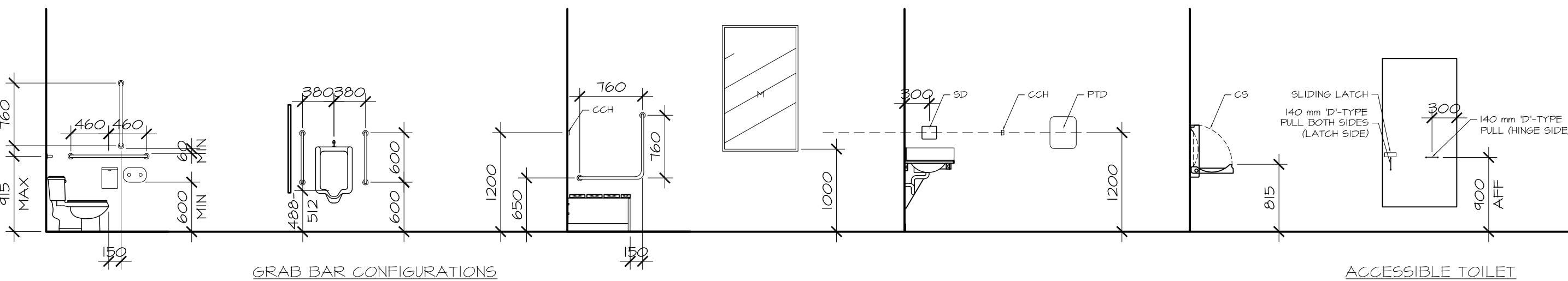
27 STORAGE/BAR 114
9.19.2 1:50



28 STORAGE/BAR 114
9.19.2 1:50



29 GYMNASIUM 102
9.19.2 1:50



30 WASHROOM ACCESSORY MOUNTING HEIGHTS
9.29.2 1:50

REFER TO 30 - A9.2 FOR WASHROOM ACCESSORY MOUNTING HEIGHTS.

MILLWORK CONTRACTOR SHALL CONFIRM FIXTURE / AFFLANGE DIMENSIONS WITH OWNER & COORDINATE OPENING SIZES FOR FIXTURES WITHIN MILLWORK.

- WASHROOM ACCESSORY NOTES**
- VERIFY ALL MOUNTING HEIGHTS WITH THE 2006 CITY OF WINNIPEG ACCESSIBILITY DESIGN STANDARDS.
 - PROVIDE WOOD P.T. BLOCKING FOR ALL TOILET ACCESSORIES MOUNTED IN GYP. BD PARTITIONS. MAINTAIN INTEGRITY OF FIRE RATING WHERE ACCESSORIES ARE IN RATED WALLS.
 - PROVIDE BLOCKING FOR ACCESSIBLE HANDRAILS, SEATS, SINKS, ETC. TO RESIST 250LBS. FULL FORCE ANY DIRECTION.
 - CENTER ACCESSORIES ABOVE TOILET WHERE OCCURS.
 - MOUNT MIRROR CENTERED ON SINK WHERE OCCURS.
 - CENTER VANITY FIXTURES OVER MIRROR WHERE OCCURS.

ABBREVIATIONS:

CCH	COLLAPSIBLE COAT HOOK
CS	CHANGE STATION
GB	GRAB BAR
M	MIRROR
NIC	NOT IN CONTRACT
PTD-1	MERFIN PAPER TOWEL DISPENSER NO. 1003 (SEE NOTE 2)
PTD-2	MERFIN PAPER TOWEL DISPENSER NO. 1080A (SEE NOTE 2)
SD	SOAP DISPENSER (SEE NOTE 2)
SND	SANITARY NAPKIN DISPOSAL
TPD-1	MERFIN TOILET PAPER DISPENSER NO. 2200 (SEE NOTE 2)
TPD-2	MERFIN TOILET PAPER DISPENSER NO. 2500 (SEE NOTE 2)
WR	WASTE RECEPTACLE

NOTES:

- PROVIDE BACKING AS REQUIRED FOR ALL WASHROOM ACCESSORIES
- PAPER TOWEL, TOILET PAPER & SOAP DISPENSERS: OWNER SUPPLIED, CONTRACTOR INSTALLED.

NO.	REVISION	DATE	BY
0	ISSUED FOR TENDER	2010.05.13	CAA

THIS DRAWING IS THE EXCLUSIVE PROPERTY OF THE ARCHITECT AND CAN BE REPRODUCED ONLY WITH THE PERMISSION OF THE ARCHITECT IN WHICH CASE THE REPRODUCTION MUST BEAR THE NAME OF THE ARCHITECT.
THIS DRAWING SHALL NOT BE SCALED. FOLLOW GIVEN DIMENSIONS ONLY.
THE CONTRACTOR SHALL SATISFY HIMSELF THAT ALL DIMENSIONS AND INFORMATION SHOWN ARE CORRECT.
PRIOR TO COMMENCEMENT OF WORK REPORT ANY DISCREPANCIES TO THE ARCHITECT.
VARIATIONS AND MODIFICATIONS TO WORK SHOWN WILL NOT BE ALLOWED WITHOUT WRITTEN PERMISSION OF THE ARCHITECT.

CONSULTANT



CALNITSKY ASSOCIATES ARCHITECTS

ARCHITECTURE | INTERIOR DESIGN
124 Nassau Street North | Winnipeg, Manitoba R3L 2H1
Tel: (204) 453-6441 | Fax: (204) 453-3392
E-mail: caa@escape.ca

PROJECT TITLE
ADDITION & RENOVATION OF WINAKWA COMMUNITY CENTRE

980 WINAKWA RD, WINNIPEG

SHEET TITLE
INTERIOR ELEVATIONS

DRAWN BY	SCALE	SHEET NUMBER
AM	AS SHOWN	A9.2
CHECKED BY	DATE	
BM	2010.05.13	
PROJECT NO.	REV. DATE	REV. NO.
09-012		0