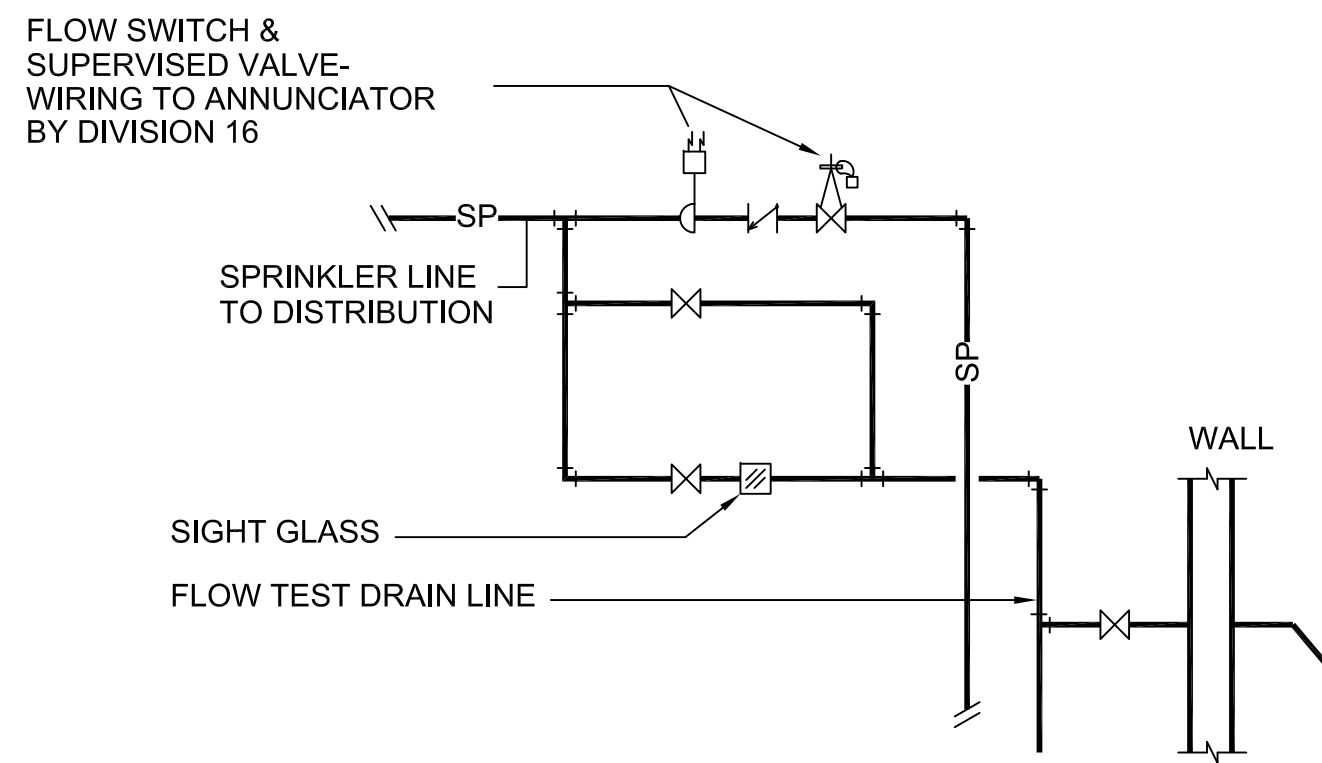
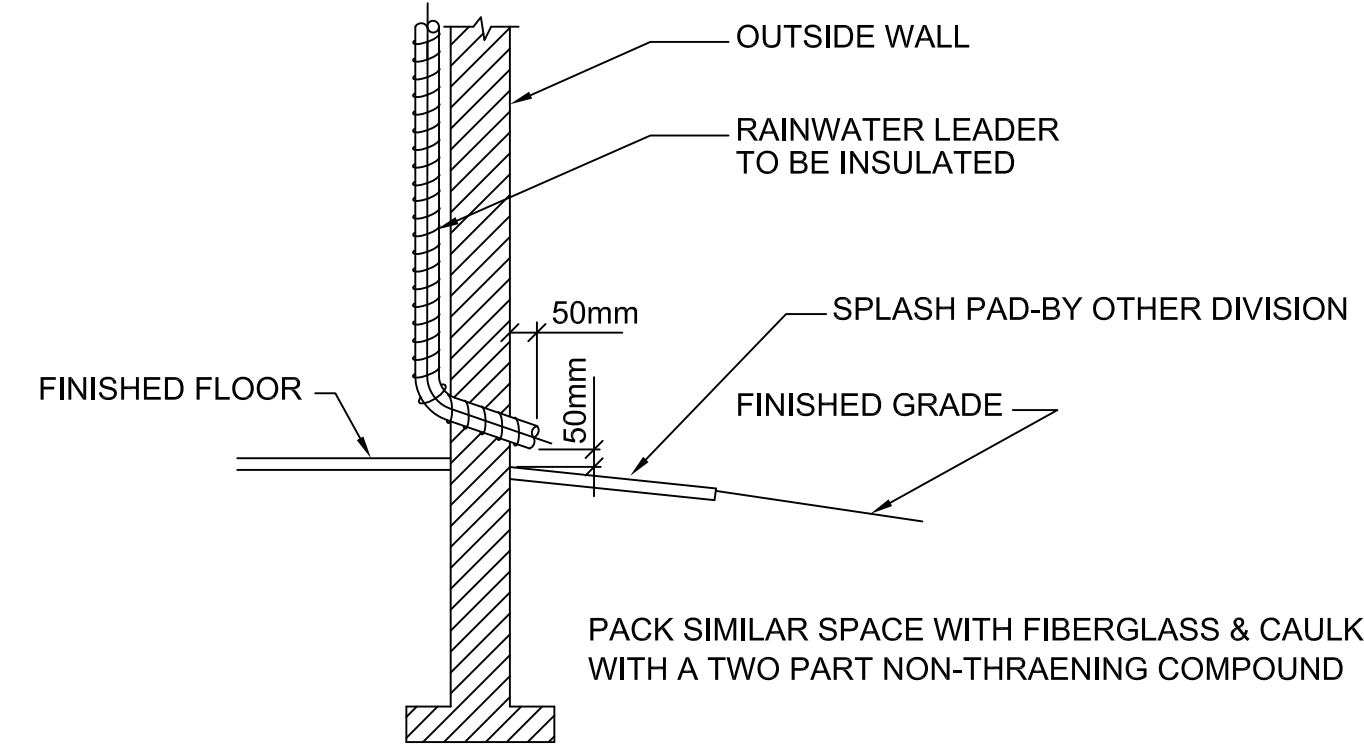


- 1 SHIM WOOD BLOCKING AS REQUIRED TO COMPENSATE FOR ROOF SLOPE.
- 2 100mmx100mmx250mm (4"x4"x10") LONG PRESSURE TREATED WOOD NAILED TOGETHER WITH 75mm (3") GALVANIZED NAILS
- 3 50mmx250mmx450mm (2"x10"x18") LONG PRESSURE TREATED WOOD
- 4 GAS LINE STEEL PIPE.
- 5 WROUGHT IRON STRAPS GRINNELL FIG.2L2 (OR EQUAL) OVERSIZE (2 SIZES) TO ALLOW FOR PIPE MOVEMENT. PAINT PIPING WITH COLOUR TO GAS AUTHORITY REQUIREMENTS.
- 6 STAINLESS STEEL NO.12 50mm (2") LONG WOOD SCREWS.

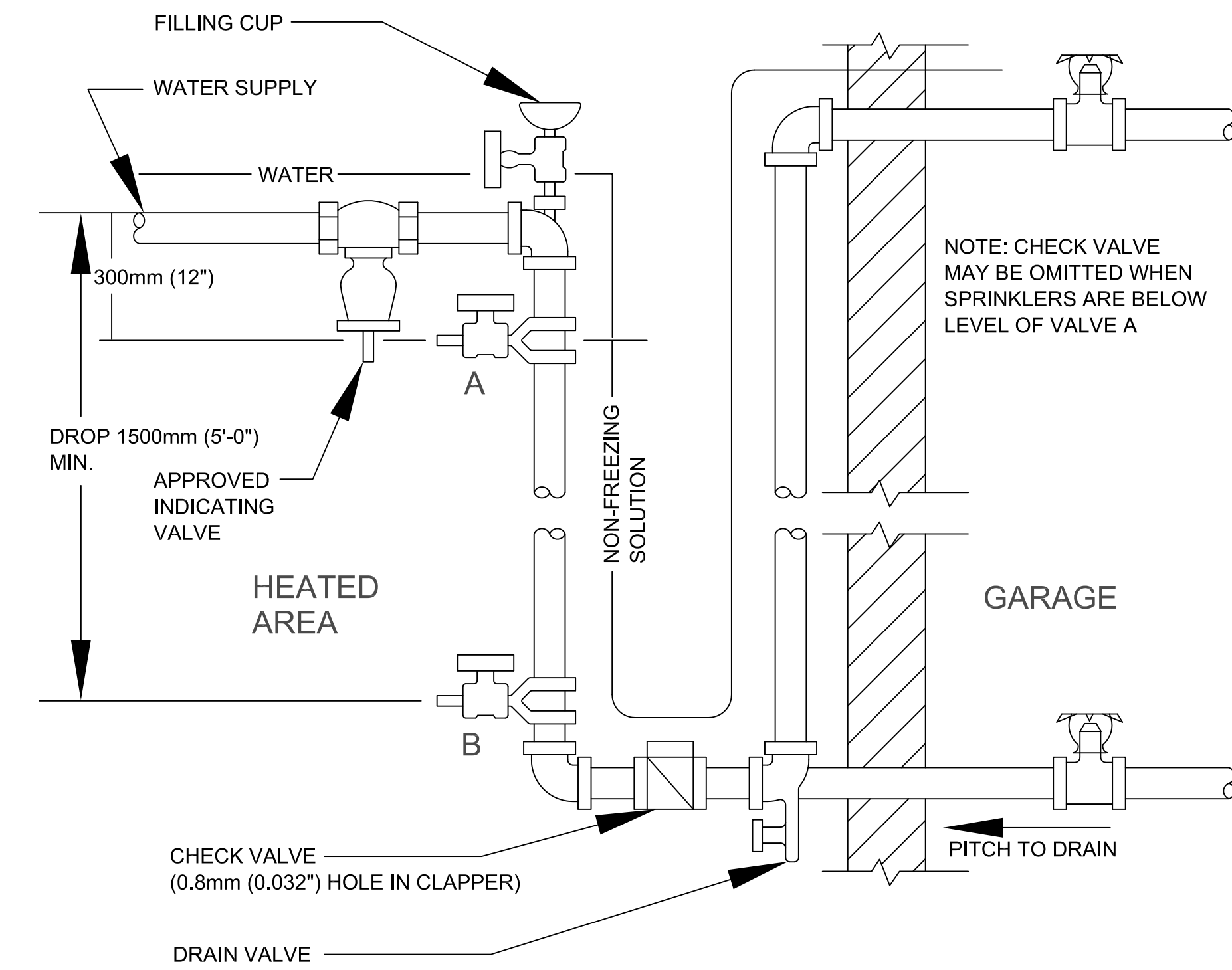
GAS PIPE ROOF SUPPORT DETAIL
N.T.S.



INSPECTOR'S TEST & DRAIN STATION DETAIL
N.T.S.

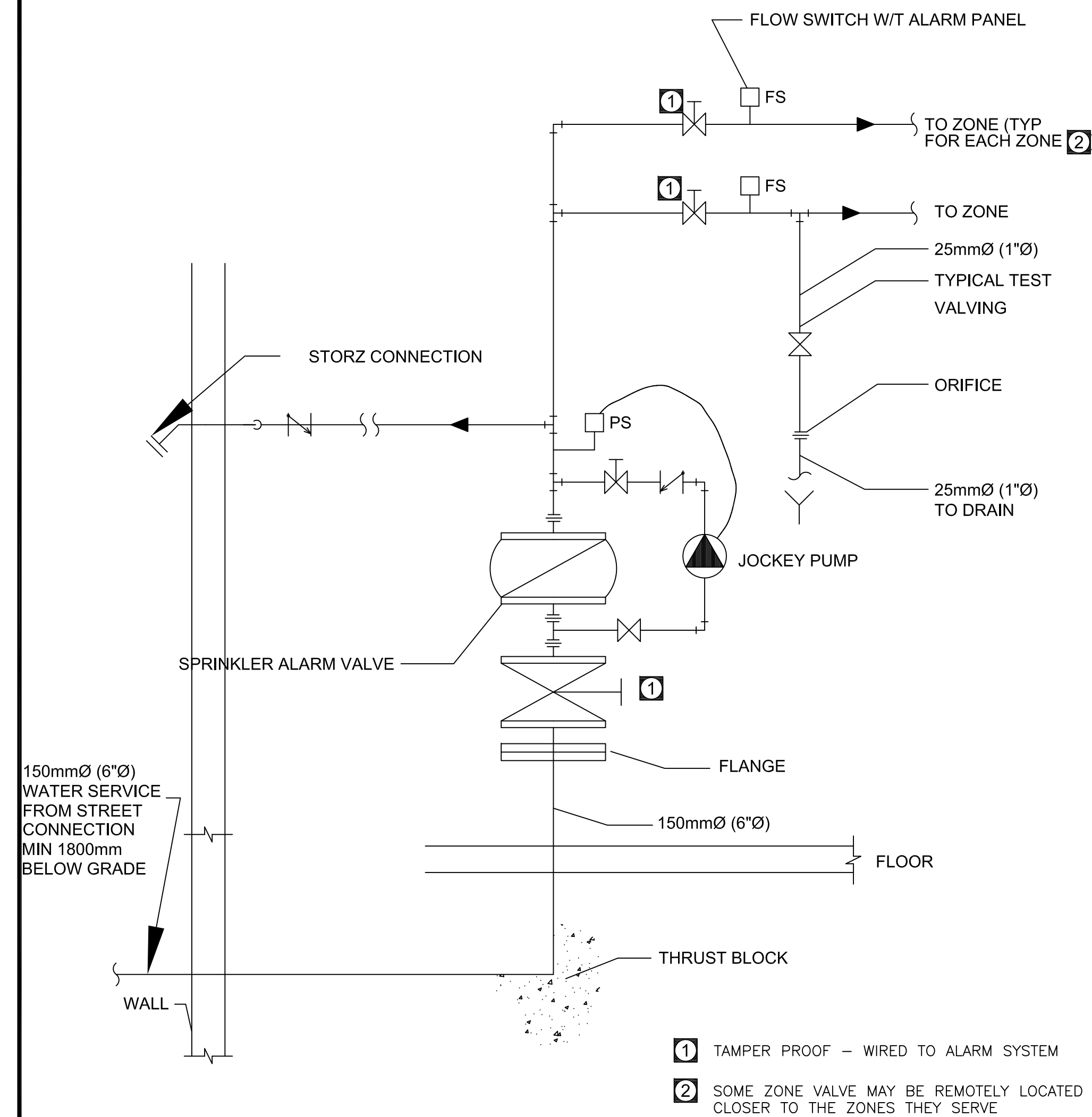


RAINWATER LEADER OUTFLOW DETAIL
N.T.S.



NOTE: THE 0.8mm (0.032") HOLE IN THE CHECK VALVE CLAPPER IS NEEDED TO ALLOW FOR EXPANSION OF THE SOLUTION DURING A TEMPERATURE RISE AND THUS PREVENT DAMAGE TO SPRINKLER HEADS.

GLYCOL SPRINKLER PIPE DETAIL FOR GARAGE
N.T.S.



SPRINKLER TREE ALARM SCHEMATIC
N.T.S.



CALNITSKY ASSOCIATES ARCHITECTS INC.

ARCHITECTURE | INTERIOR DESIGN
124 Nassau Street North Winnipeg, Manitoba R3L 2H1
Tel: (204) 453-6441 Fax: (204) 453-3392
E-mail: caa@escape.ca

This drawing is not intended to be an as-built or record drawing. The contractor is responsible for verifying the accuracy of the information on-site. If there is any information that is in error, the contractor shall record the discrepancy and contact the Engineer immediately with his findings.

DATE	NO.	DESCRIPTION	DRAWN BY
2010MAY13	0	ISSUE FOR TENDER	JC

REVISIONS			
DATE	NO.	DESCRIPTION	DRAWN BY



PharmEng Technology
A Division of PE Pharma Inc.

JOB TITLE:
ADDITION & RENOVATION OF WINAKWA COMMUNITY CENTRE
980 WINAKWA ROAD
WINNIPEG, MB

DRAWING TITLE:
PLUMBING DETAILS

SCALE:	DATE:	DRAWING NO.:
1:100	2010 MAY 13	
DRAWN BY:	DESIGN BY:	CHECKED BY:
JC	JC	BH
FILE NO.:	PROJECT NO.:	
N/A	339-2010	

M-3.8