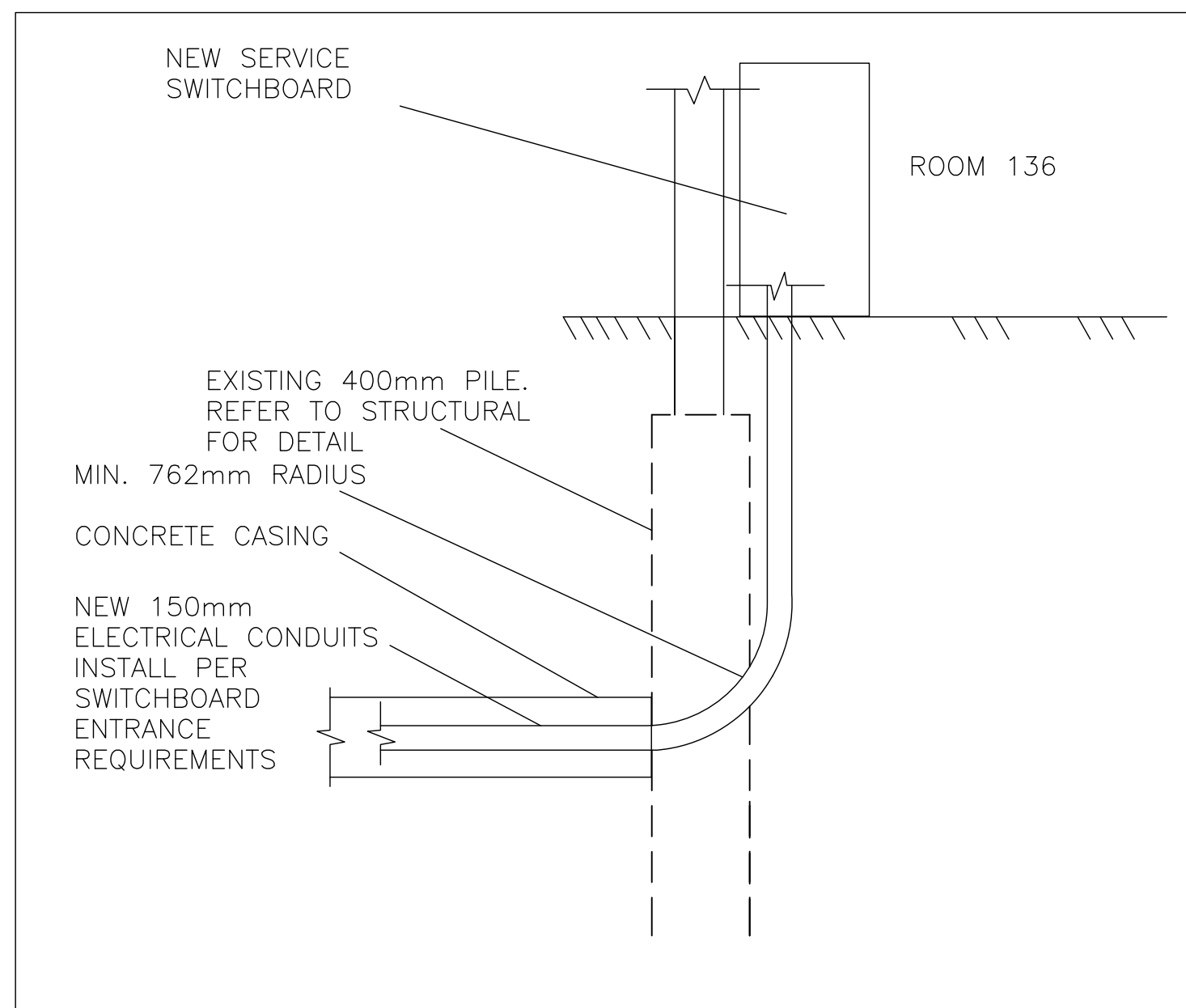
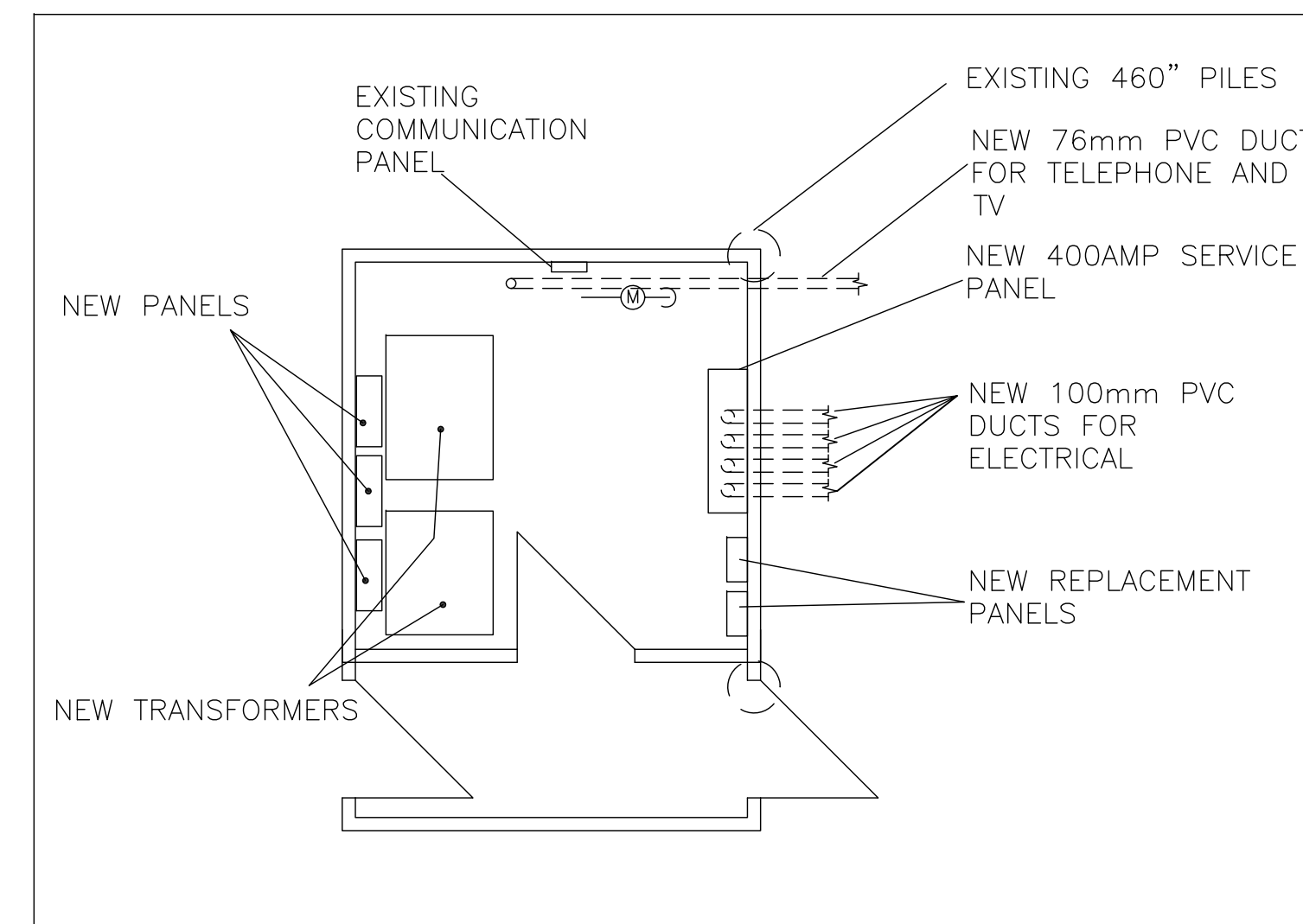


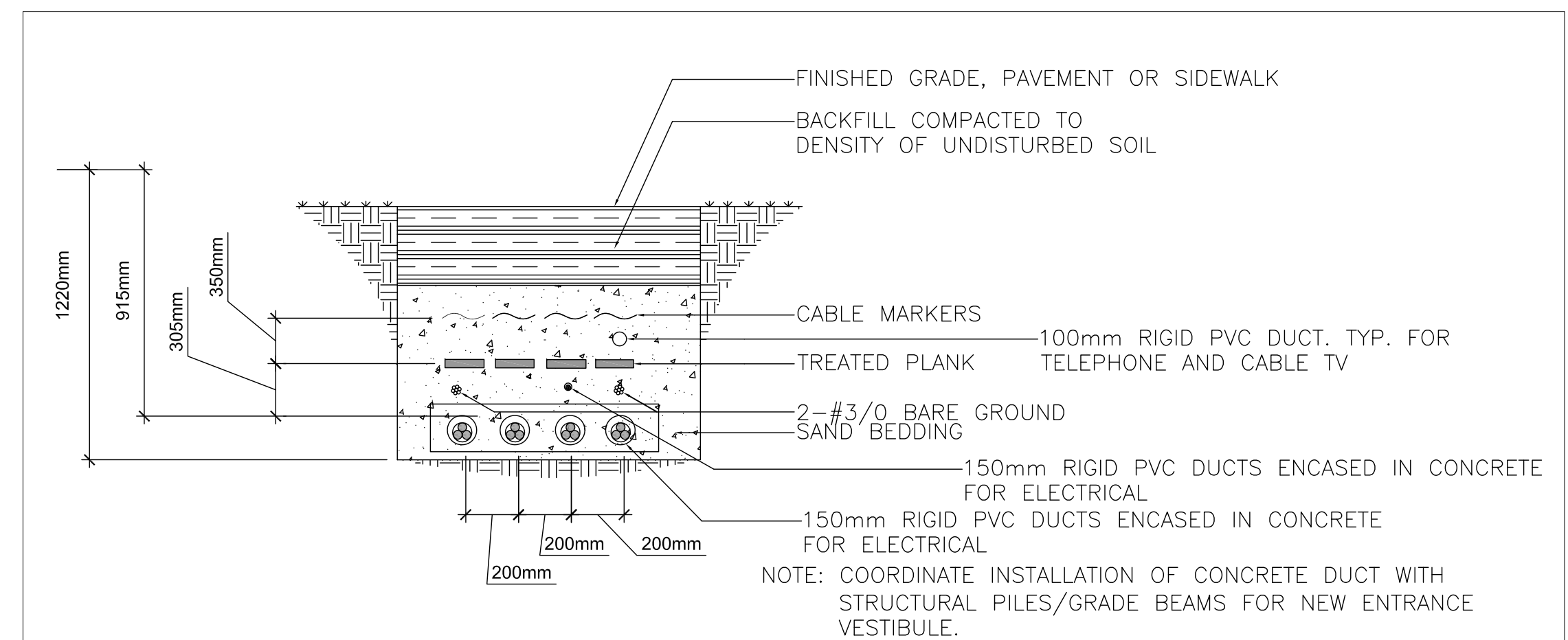
1 EXISTING MECHANICAL ROOM DETAILS
M/E-1 SCALE: N.T.S.



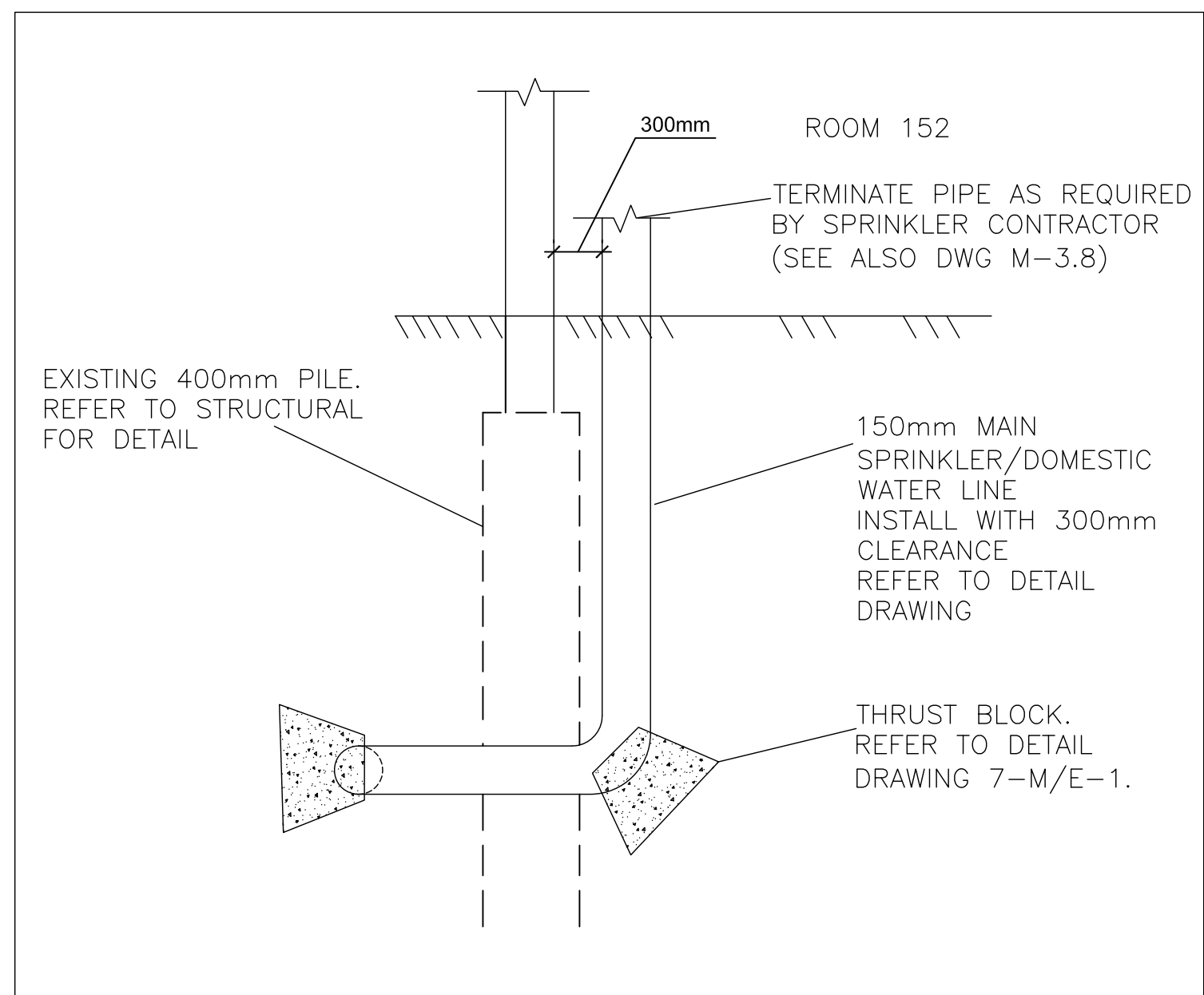
4 ELECTRICAL SERVICE ENTRANCE DETAIL
M/E-1 SCALE: N.T.S.



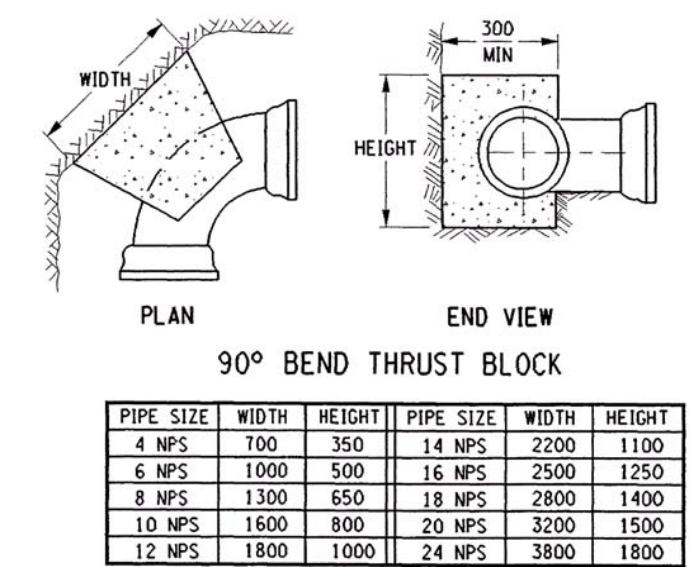
2 PROPOSED MECHANICAL ROOM LAYOUT
M/E-1 SCALE: N.T.S.



5 TRENCH DETAIL
M/E-1 SCALE: N.T.S.

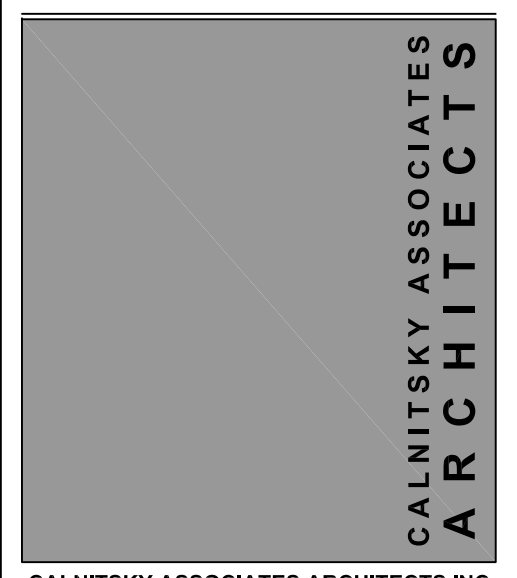


3 WATER SERVICE ENTRANCE DETAIL
M/E-1 SCALE: N.T.S.



6 THRUST BLOCK DETAIL
M/E-1 SCALE: N.T.S.

PIPE SIZE	WIDTH	HEIGHT	PIPE SIZE	WIDTH	HEIGHT
4 NPS	700	350	14 NPS	2200	1100
6 NPS	1000	500	16 NPS	2500	1250
8 NPS	1300	650	18 NPS	2800	1400
10 NPS	1600	800	20 NPS	3200	1500
12 NPS	1800	1000	24 NPS	3800	1800

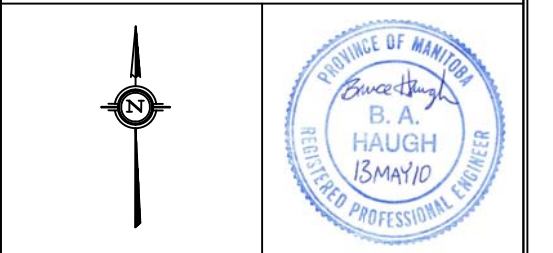


ARCHITECTURE | INTERIOR DESIGN
124 Nassau Street North Winnipeg, Manitoba R3S, 2H1
Tel: (204) 453-9441 Fax: (204) 453-3392
E-mail: caa@escape.ca

This drawing is not intended to be an as-built or record drawing. The contractor is responsible for verifying the accuracy of the information on-site. If there is any information that is in error, the contractor shall record the discrepancy and contact the Engineer immediately with his findings.

DATE	NO.	DESCRIPTION	DRAWN BY
2010MAY13	0	ISSUE FOR TENDER	JC

REVISIONS



JOB TITLE:
ADDITION & RENOVATION OF WINAKWA COMMUNITY CENTRE
980 WINAKWA ROAD WINNIPEG, MB

DRAWING TITLE:
NEW & RENOVATION DETAILS

SCALE:	DATE:	DRAWING NO.:
AS SHOWN	2010 MAY 13	M/E-1.1
DRAWN B.H.	DESIGN B.H.	CHECKED B.H.
FILE NO.:	PROJECT NO.:	