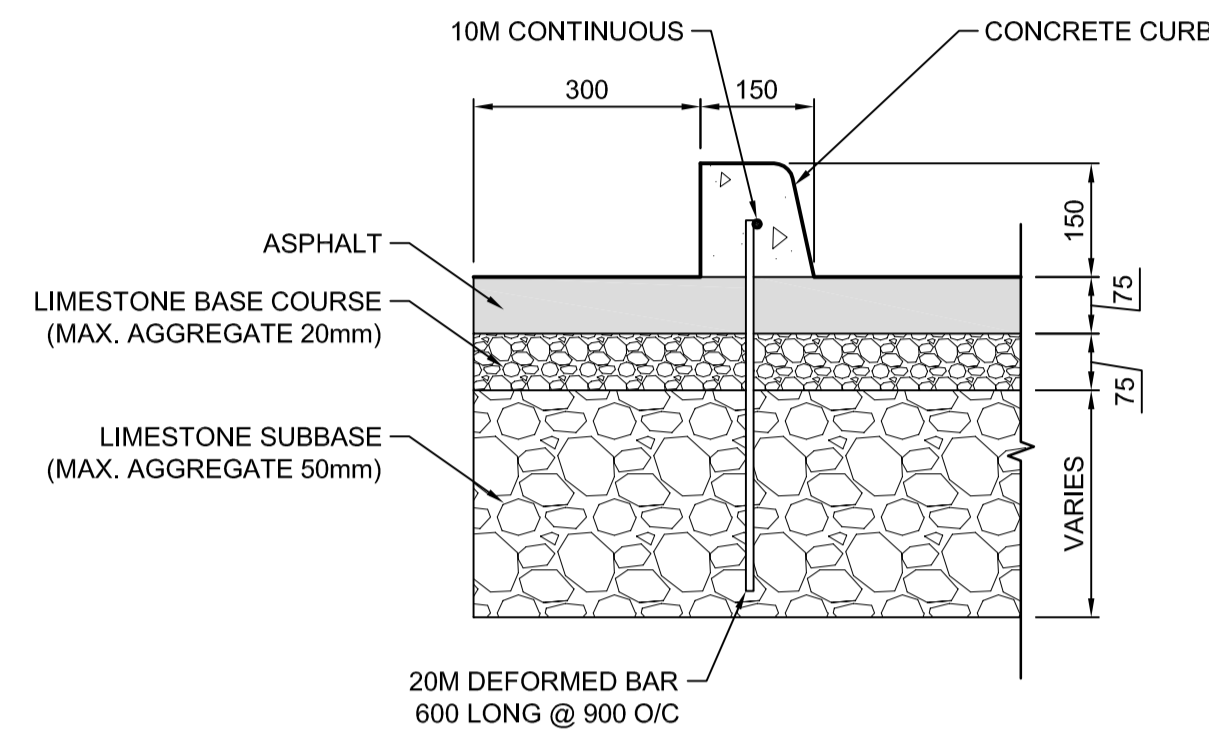
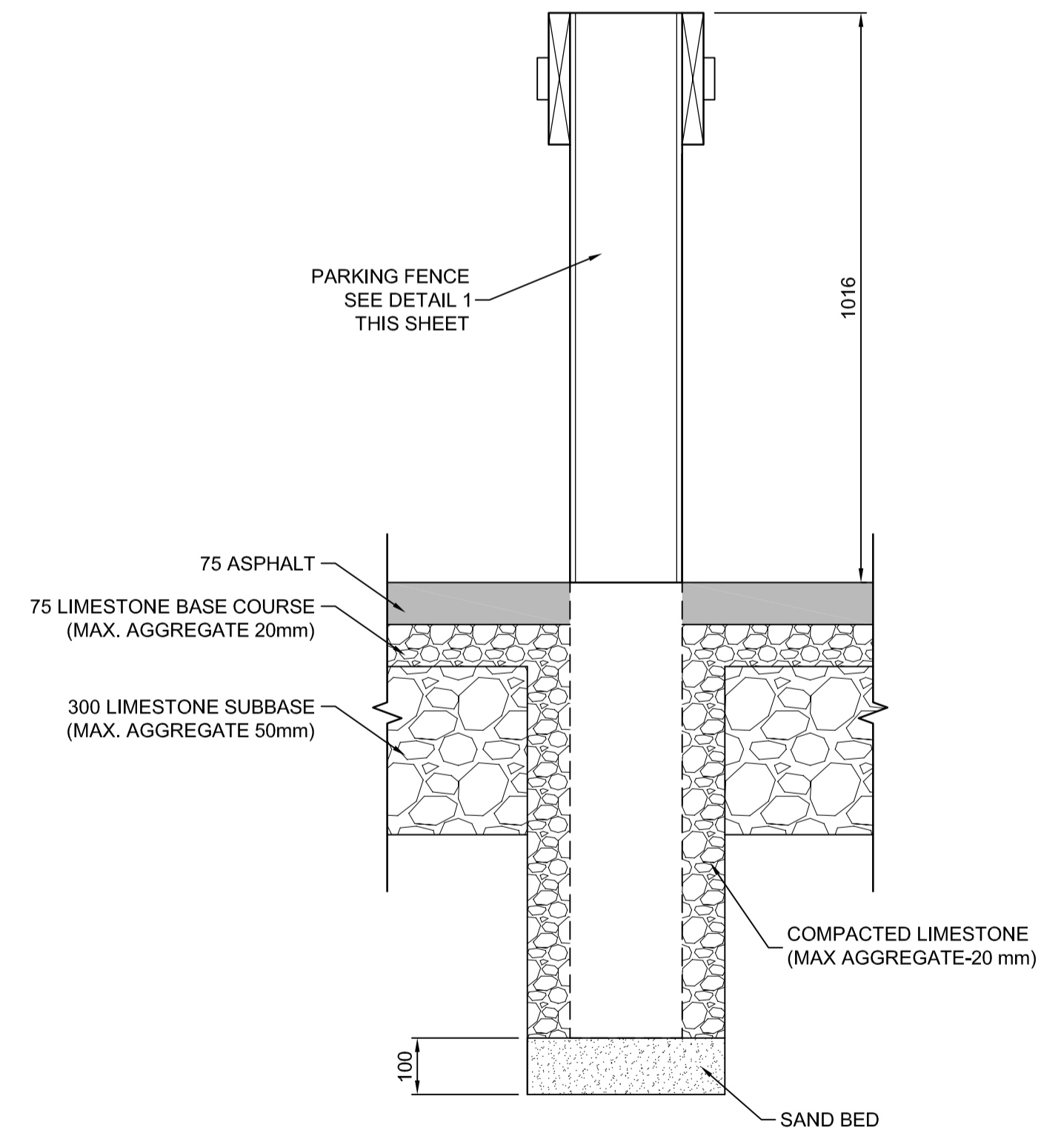


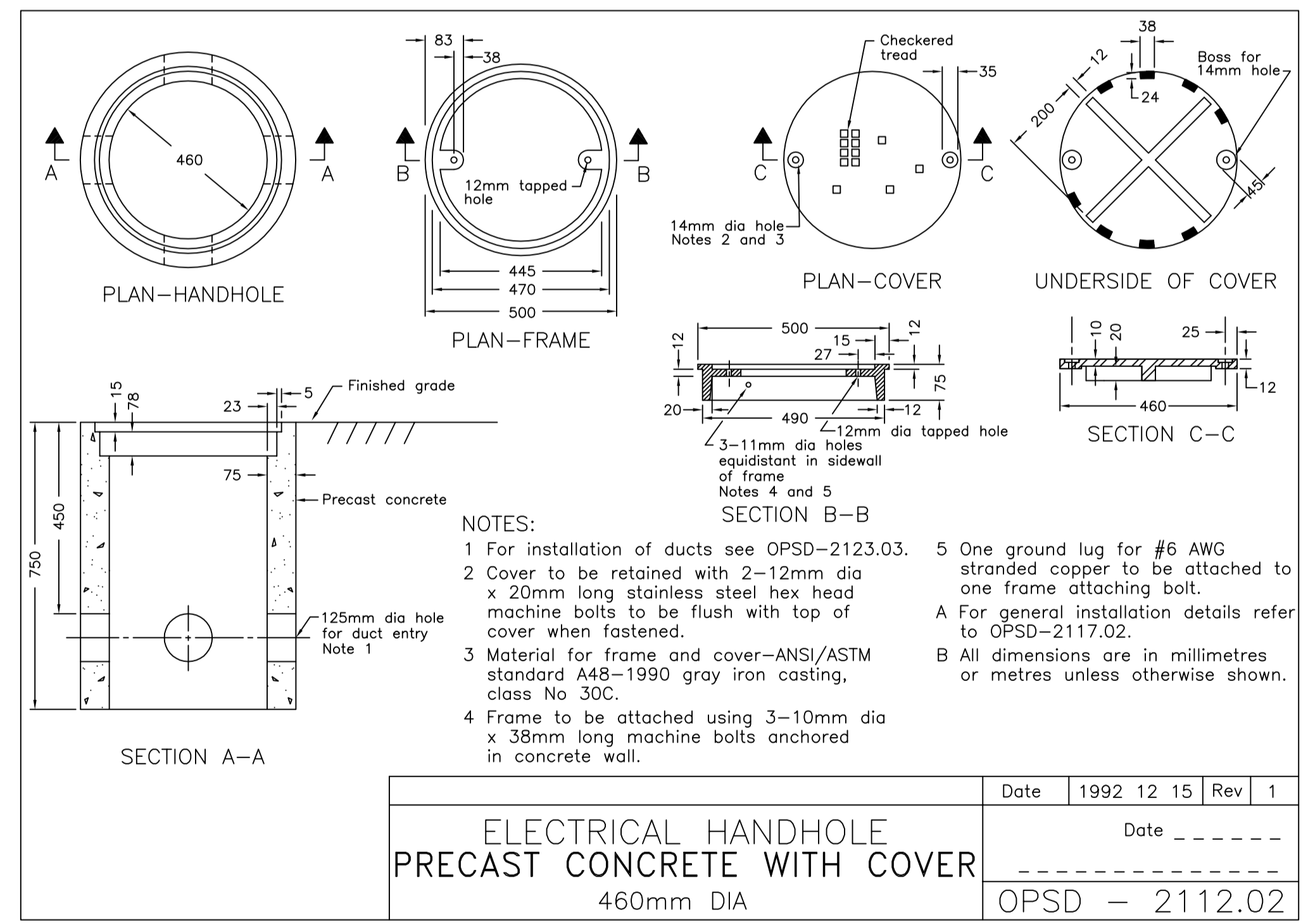
1 TRANSIT/VIA PARKING LOT FENCE DETAIL
 30,43 55 SCALE 1:20



2 PINNED CURB DETAIL
 43 55 SCALE 1:10



A SECTION
 55 55 SCALE 1:10



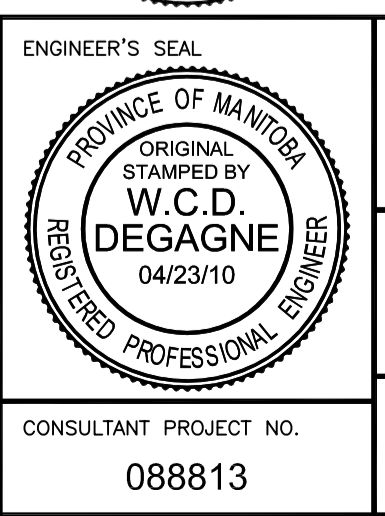
ELECTRICAL HANDHOLE PRECAST CONCRETE WITH COVER 460mm DIA		Date	1992 12 15	Rev	1
		Date	-----		
		Date	-----		

OPSD - 2112.02



NO.	REVISIONS	DATE	BY	DATE
3	ISSUED FOR ADDENDUM #2	04/23/10	TJP	
2	ISSUED FOR TENDER	03/26/10	TJP	
1	ISSUED FOR 75% REVIEW	03/03/10	TJP	

DESIGNED BY	RTP/AA
DRAWN BY	TJH/PS
CHECKED BY	ORIGINAL SIGNED BY TJP & BD
APPROVED BY	ORIGINAL SIGNED BY DPK & WCCD
HOR. SCALE	
VERTICAL	
DATE	04/23/10



THE CITY OF WINNIPEG
 TRANSIT DEPARTMENT

Winnipeg

SOUTHWEST RAPID TRANSIT CORRIDOR - STAGE 1
 TRANSITWAY CONSTRUCTION, LANDSCAPING &
 ASSOCIATED WORKS

CITY DRAWING NUMBER
P-3317-55

SHEET
55 OF **84**

CONSULTANT DRAWING NUMBER
C6-C3045-T

PARKING LOT DETAILS

METRIC
 WHOLE NUMBERS INDICATE MILLIMETRES
 DECIMALIZED NUMBERS INDICATE METRES.

C:\CAD\088813\Contract\Current\Roadway\C6-310-Paving-Corridor-Burway.dwg