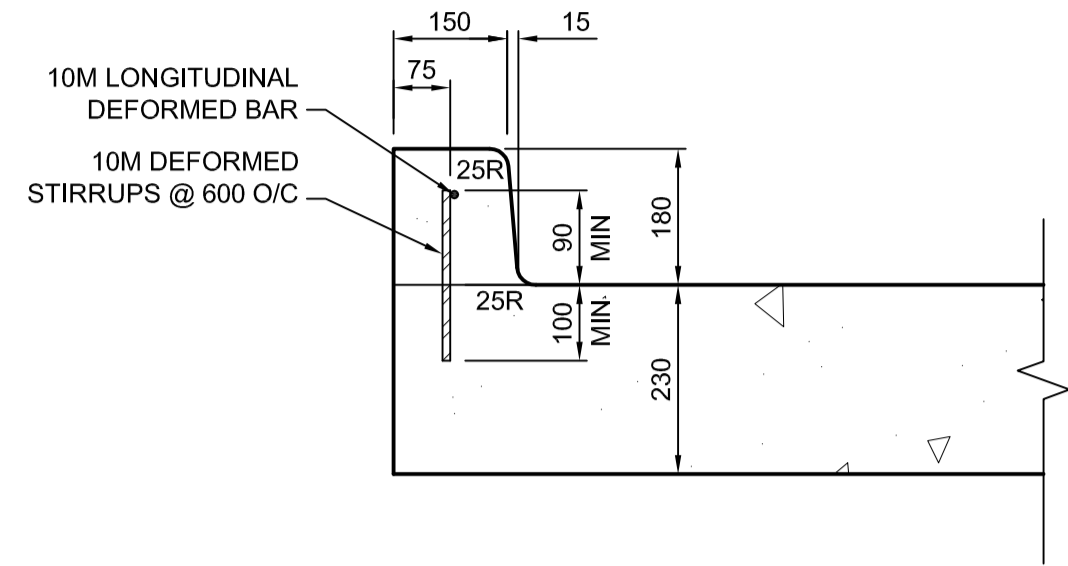
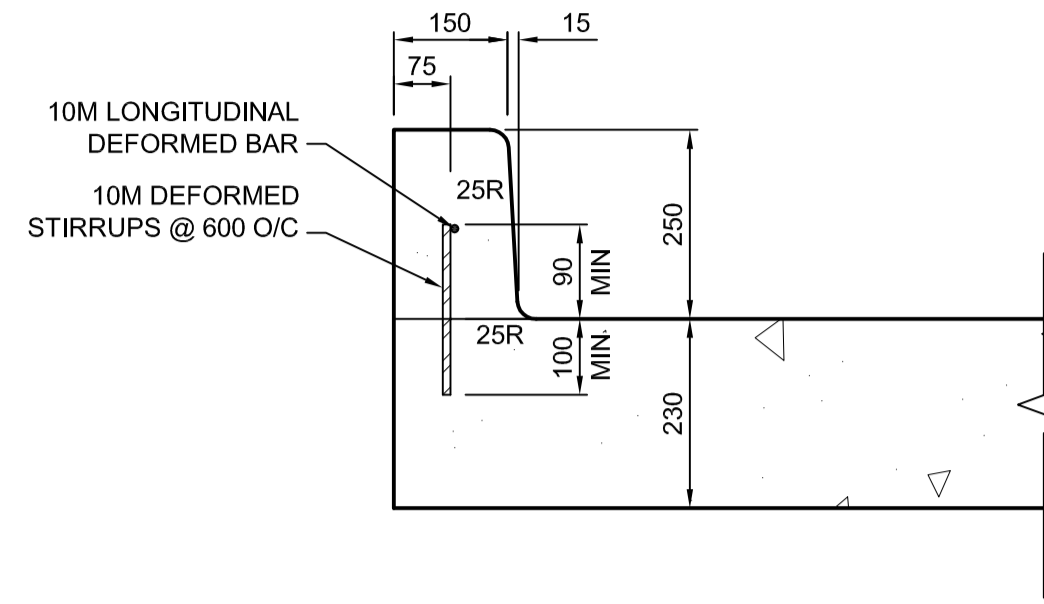


SAWCUT NOTE:  
MINIMUM 2 CUTS IN BETWEEN  
PAVEMENT JOINTS

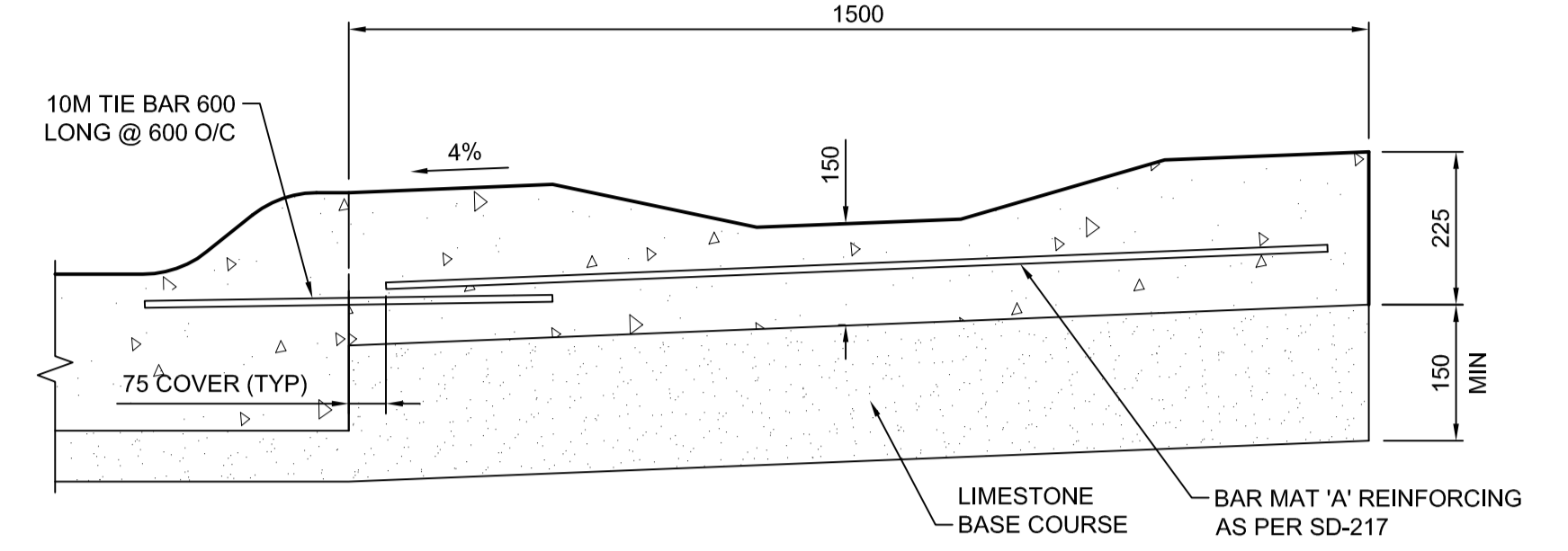


**1** 180 BARRIER CURB (SD-203A)  
26, 38-41 | 57 SCALE 1:10

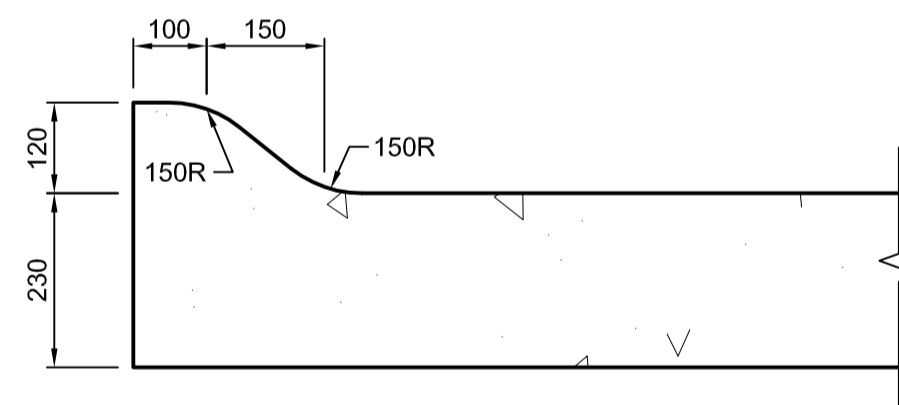


NOTE:  
250 BARRIER CURB TO EXTEND  
FROM WEST CURB RAMP TO EAST  
CURB RAMP, EASTBOUND AND  
WESTBOUND DIRECTIONS, AT  
FORT ROUGE STATION.

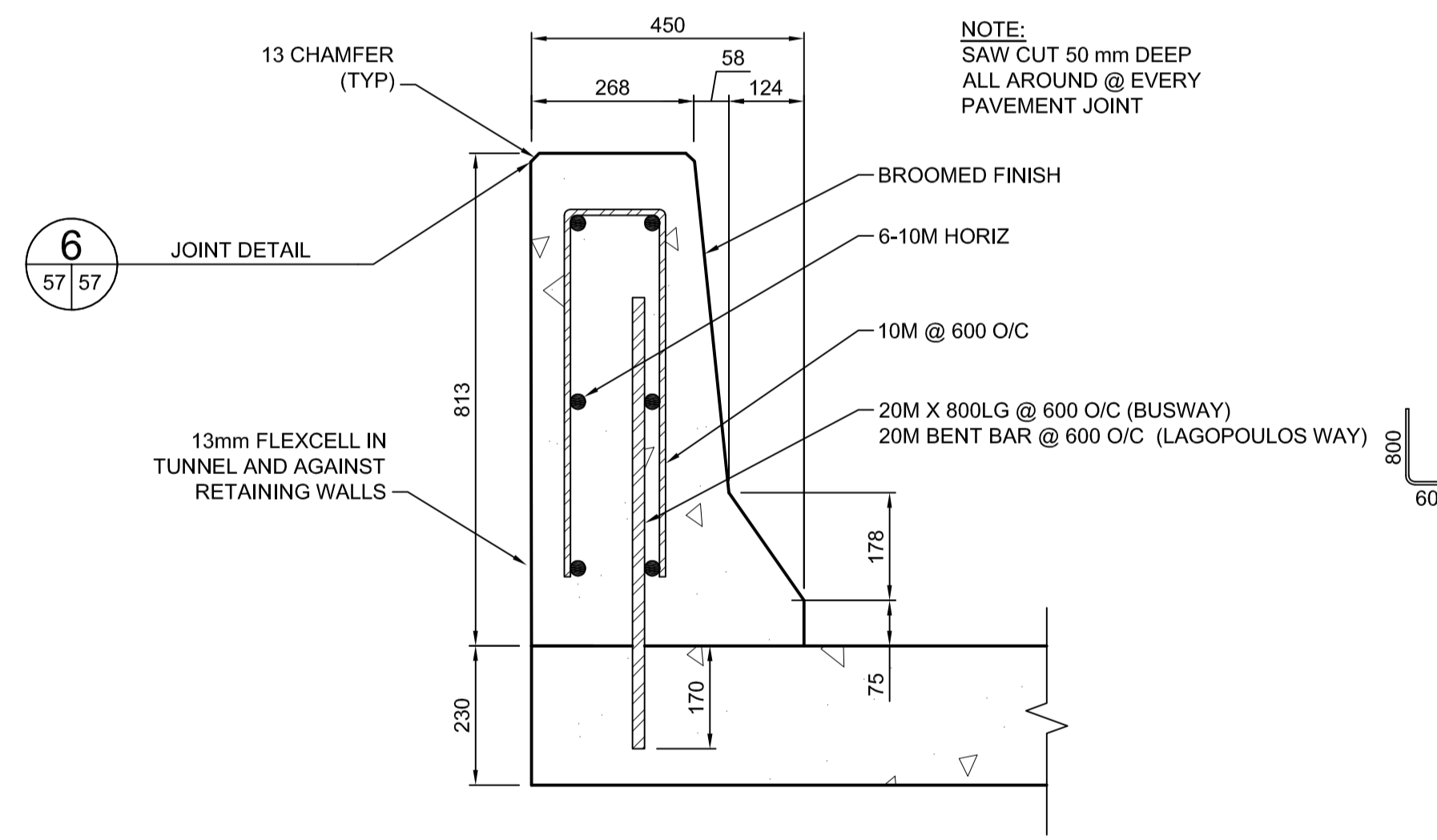
**2** 250 BARRIER CURB (SD-203A)  
26 | 57 SCALE 1:10



**3** CONCRETE DRAINAGE CHANNEL  
31 | 57 SCALE 1:10

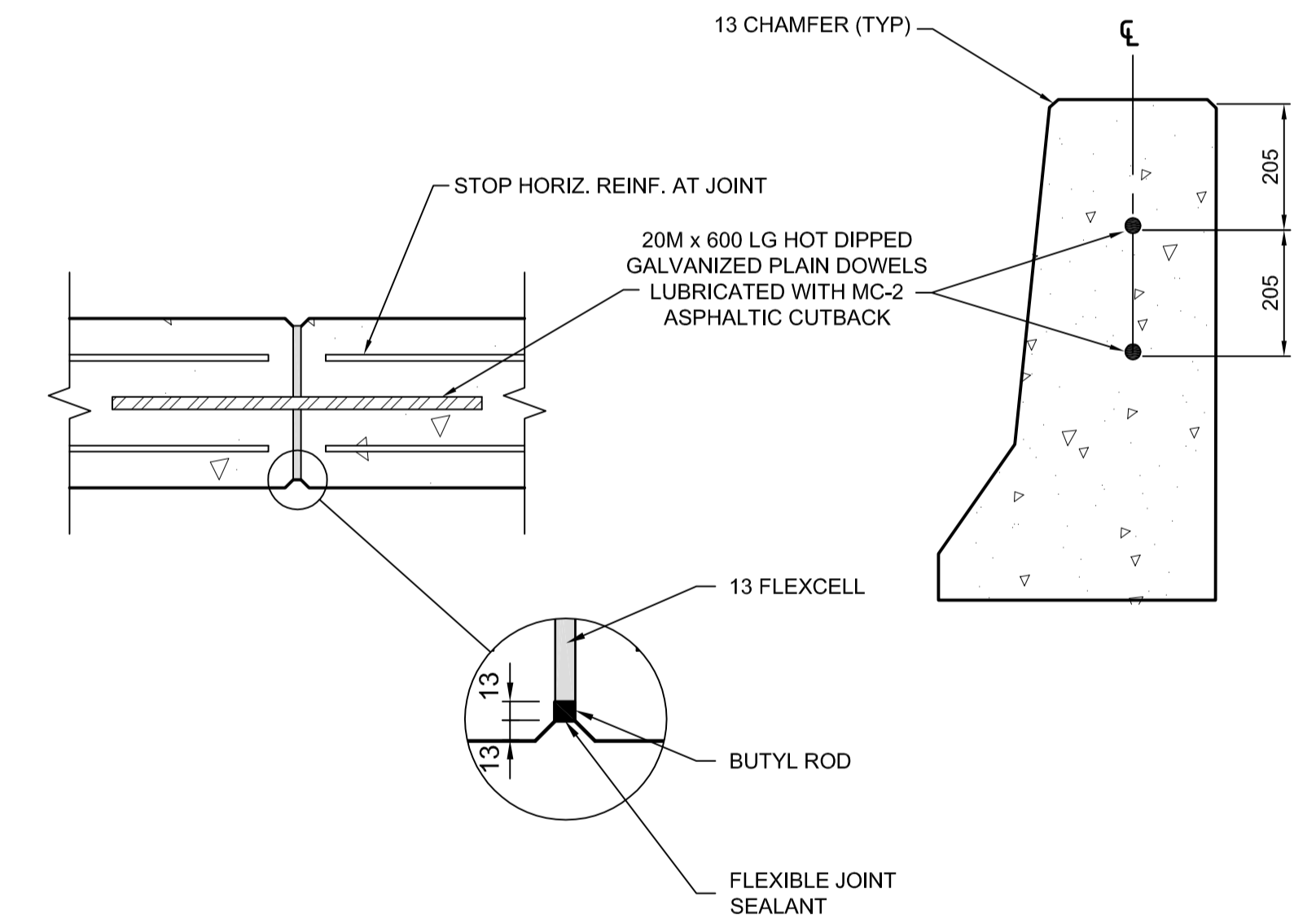


**4** MOUNTABLE CURB (SD-201)  
20-31 | 57 SCALE 1:10



NOTE:  
SAWCUT 50 mm DEEP  
ALL AROUND @ EVERY  
PAVEMENT JOINT

**5** CAST IN PLACE CONC BARRIER (TYPE 2)  
31, 33, 35, 41 | 57 SCALE 1:10



**6** TYPICAL TYPE 2 BARRIER JOINT DETAIL  
57 | 57 SCALE 1:10

C:\CAD\088813\Contract\Contract\_6-Busway\Current\Roadway\06-350-Details-from-C3.dwg



LOCATION UNDERGROUND STRUCTURES SUPV. U/G STRUCTURES COMMITTEE DATE NOTE: LOCATION OF UNDERGROUND STRUCTURES AS SHOWN ARE BASED ON THE BEST INFORMATION AVAILABLE, BUT NO GUARANTEE IS GIVEN THAT ALL EXISTING UTILITIES ARE SHOWN OR THAT THE GIVEN LOCATIONS ARE EXACT. CONFIRMATION OF EXISTENCE AND EXACT LOCATION OF ALL SERVICES MUST BE OBTAINED FROM THE INDIVIDUAL UTILITIES BEFORE PROCEEDING WITH CONSTRUCTION.	APPROVED STRUCTURES DATE B.M. ELEV.	DESIGNED BY RTP DRAWN BY TJH/RTP CHECKED BY ORIGINAL SIGNED BY TARAN J. PETERS APPROVED BY ORIGINAL SIGNED BY DAVE P. KRAHN HOR. SCALE AS NOTED VERTICAL AS NOTED		ENGINEER'S SEAL 		SOUTHWEST RAPID TRANSIT CORRIDOR - STAGE 1 TRANSITWAY CONSTRUCTION, LANDSCAPING & ASSOCIATED WORKS	CITY DRAWING NUMBER P-3317-57 SHEET 57 OF 72 CONSULTANT DRAWING NUMBER C6-C3047-T
NO. REVISIONS DATE BY DATE 03/26/10 DATE 03/24/10	2 ISSUED FOR TENDER 03/26/10 TJP 1 ISSUED FOR 75% REVIEW 03/03/10 TJP	RELEASED FOR CONSTRUCTION ORIGINAL SIGNED BY RANDY FINGAS DATE 03/24/10	CONSULTANT PROJECT NO. 088813	THE CITY OF WINNIPEG TRANSIT DEPARTMENT	CURB AND BARRIER DETAILS		