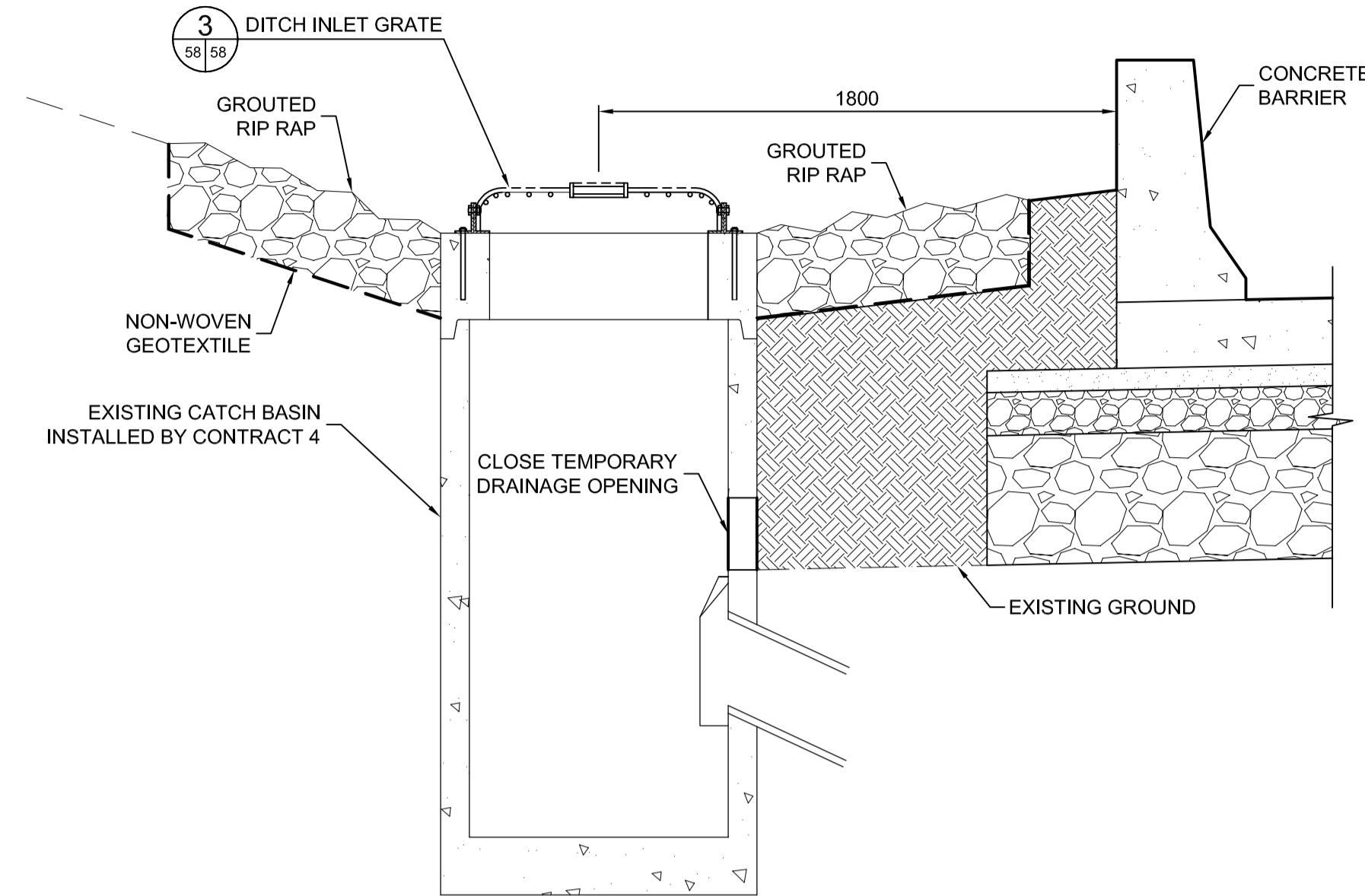
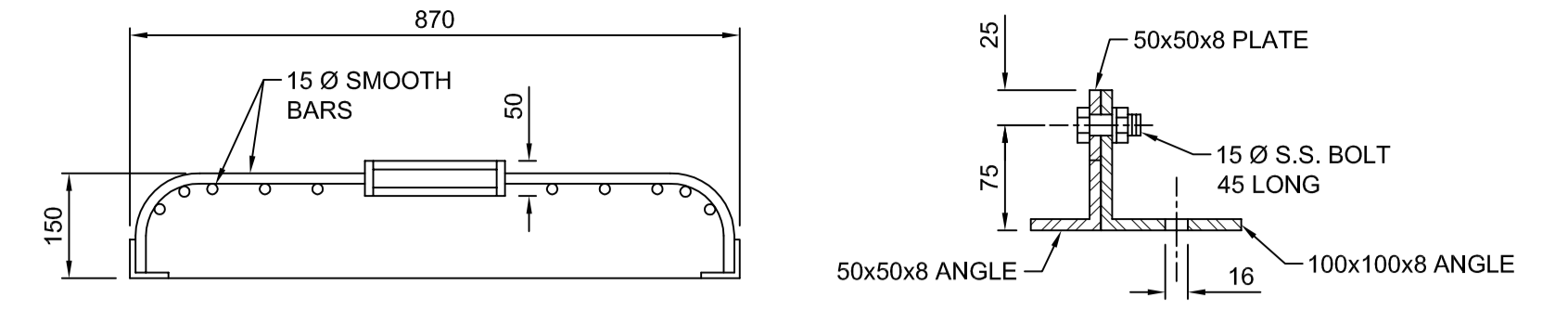


1 CATCH BASIN DETAIL
17,20,23,24,26-28,35 | 58 SCALE 1:20

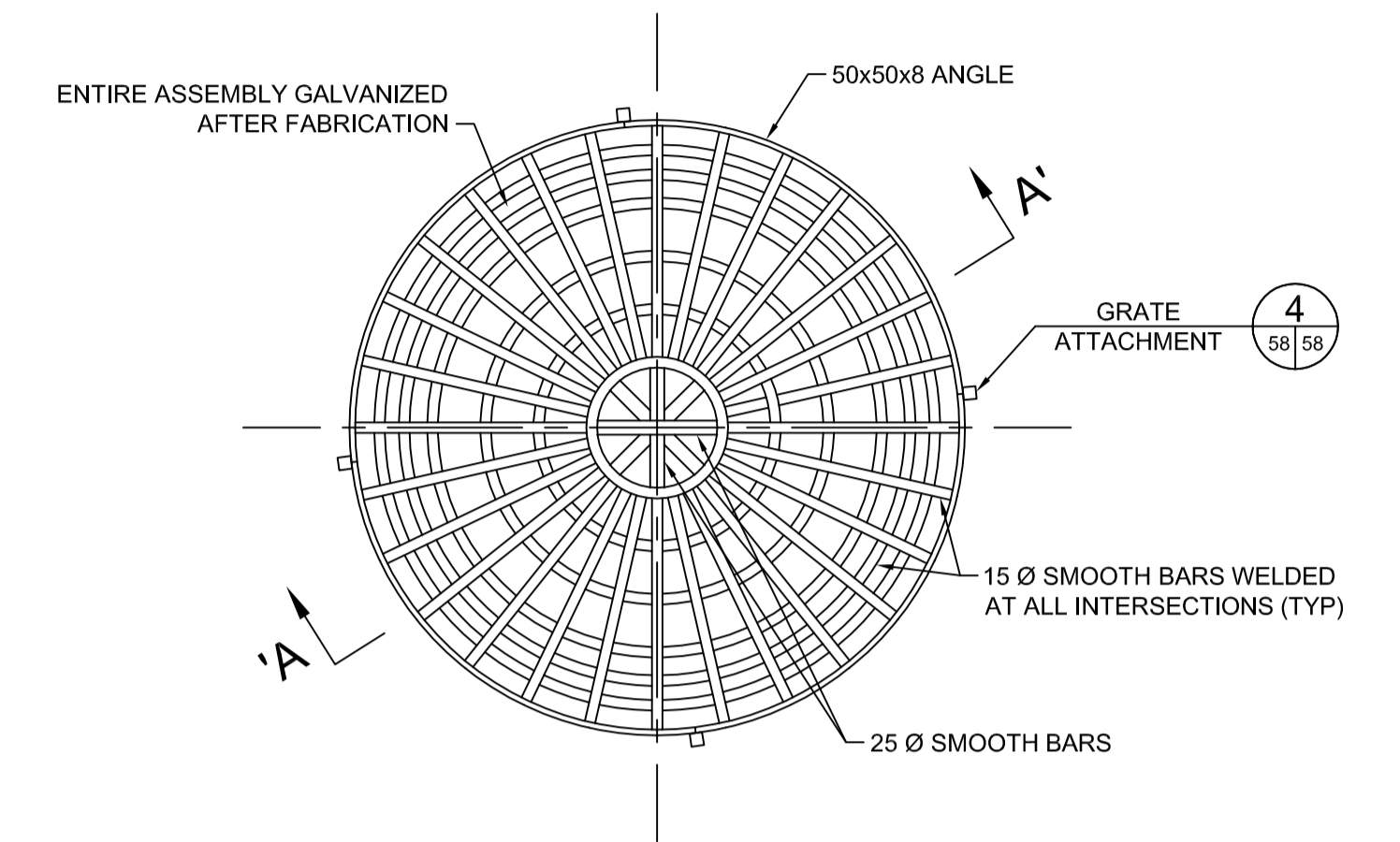


2 CATCH BASIN DETAIL
31,35 | 58 SCALE 1:20



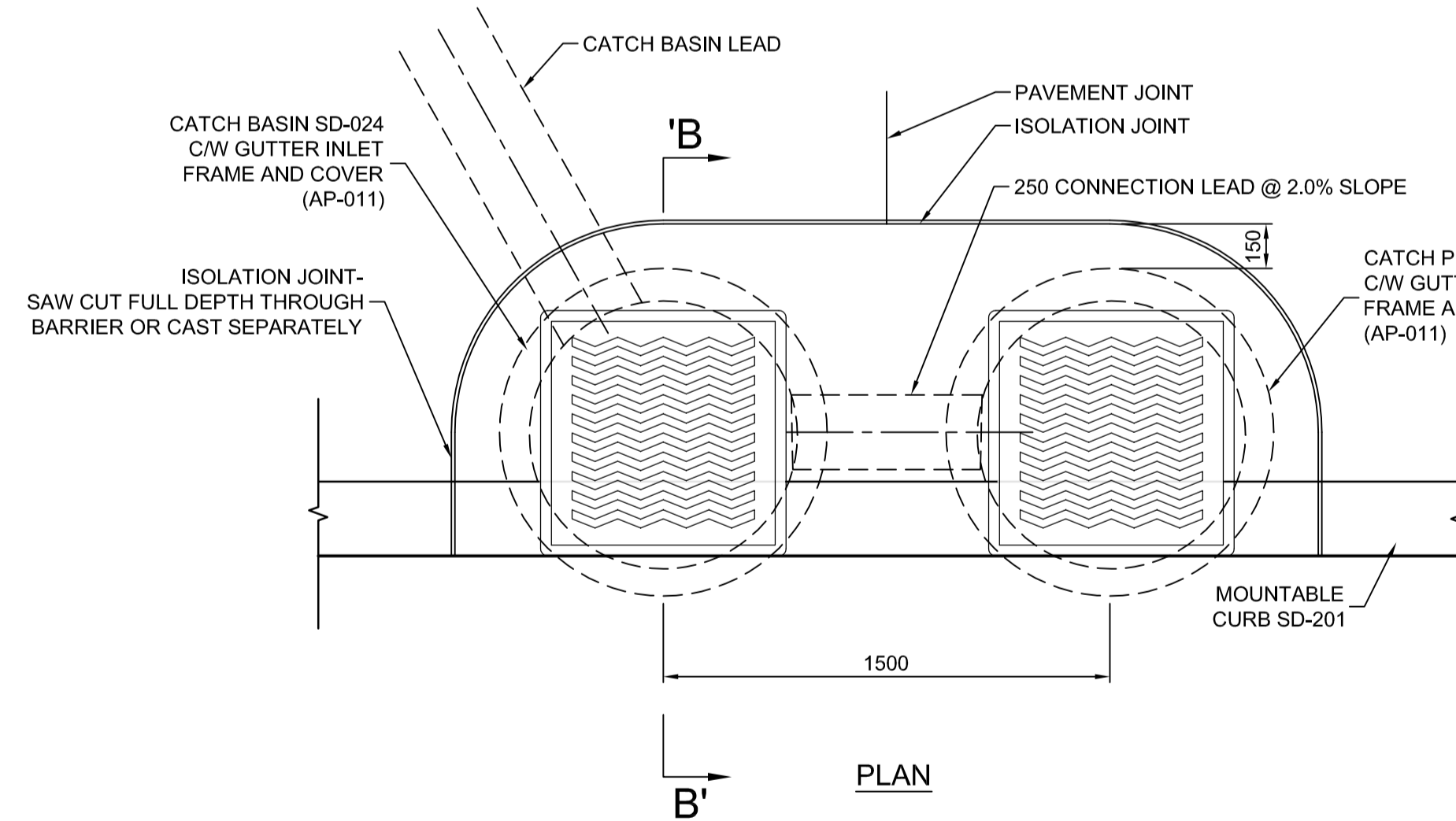
SECTION 'A-A'
SCALE 1:10

4 GRATE ATTACHMENT
58 | 58 SCALE 1:5

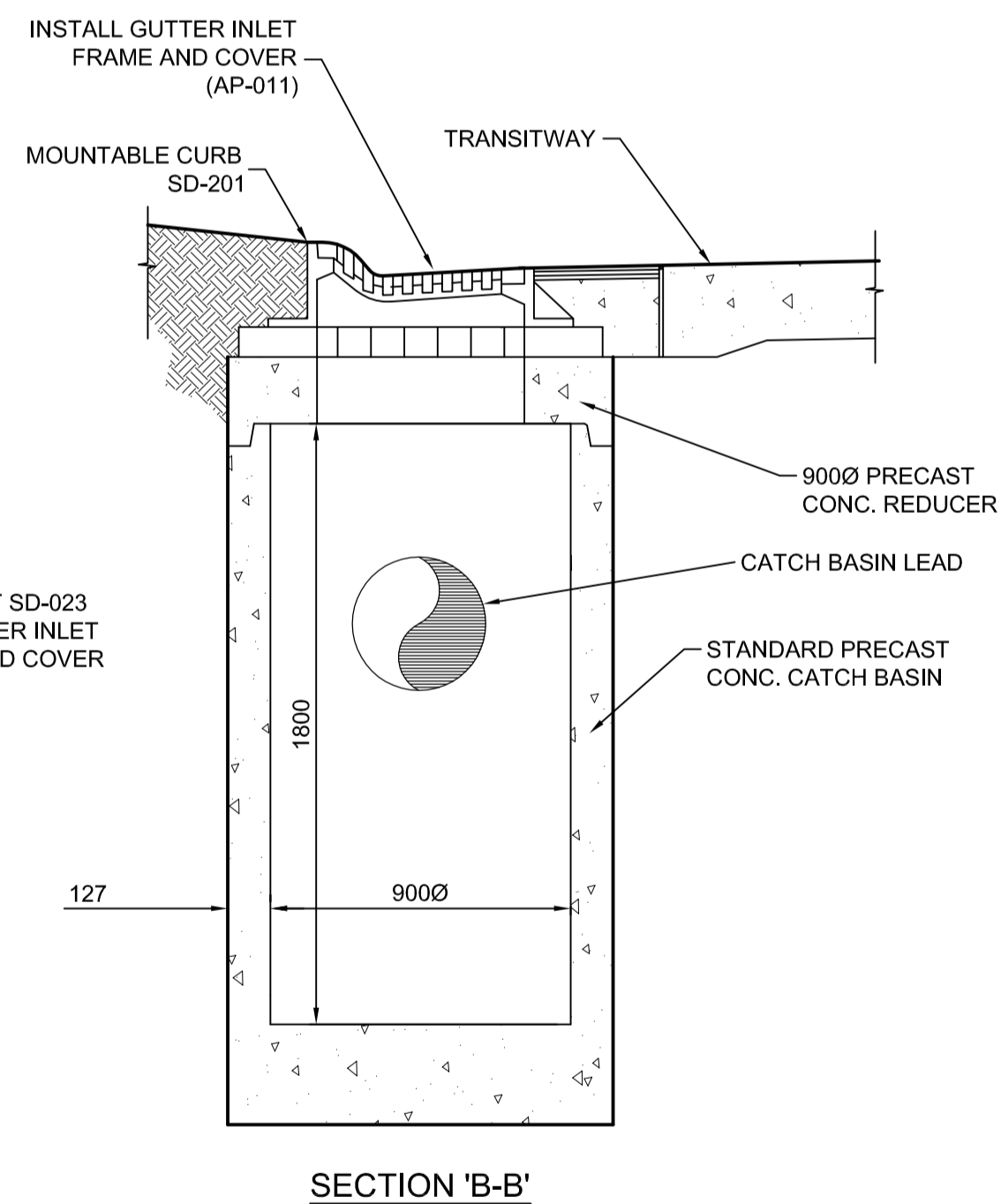


3 DITCH INLET GRATE
58 | 58 SCALE 1:10

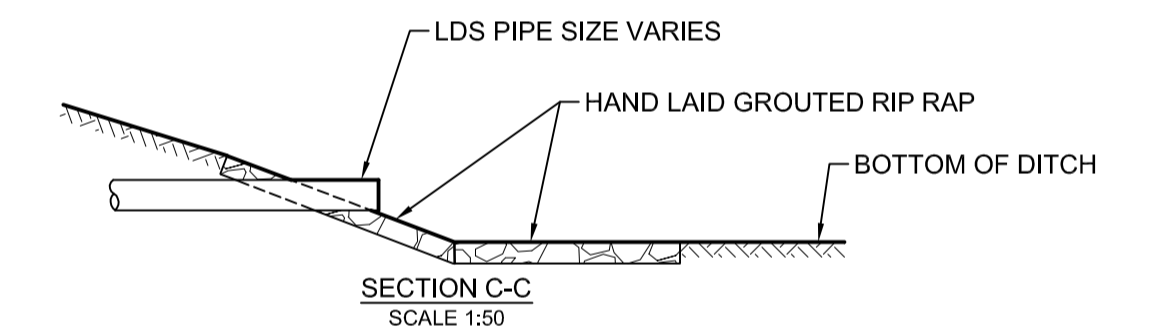
NOTE:
CATCH BASIN AND CATCH PIT
AT STATION 11+650 ONLY REQUIRE
FRAMES AND COVERS



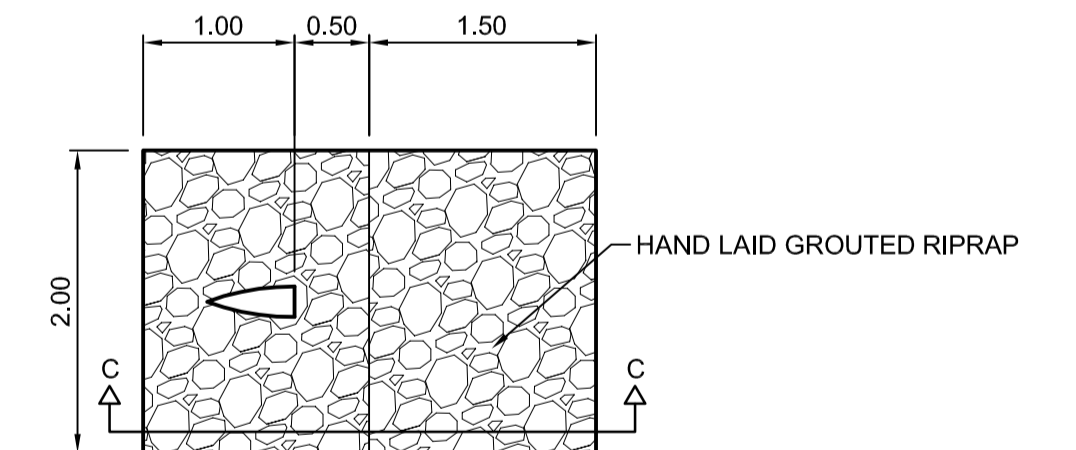
5 DUEL INLET WITH LEADS DETAIL
17,20,23,24,26,28,30,31 | 58 SCALE 1:20



SECTION 'B-B'



SECTION C-C
SCALE 1:50



PLAN
SCALE 1:50

6 GROUDED RIP RAP EROSION PAD FOR CULVERT OUTLET
17 | 58 SCALE 1:50

C:\CAD\088813\Contract\Contract 6-Busway\Current\Roadway\CG-355-Details-From-C4.dwg



LOCATION UNDERGROUND	APPROVED STRUCTURES	B.M. ELEV.	DESIGNED BY	DATE
SUPY. U/G STRUCTURES COMMITTEE			RTP	
			TJH/RTP	
			ORIGINAL SIGNED BY TARAN J. PETERS	
			ORIGINAL SIGNED BY DAVE P. KRAHN	
			AS NOTED	
			AS NOTED	
			DATE	03/26/10
			DATE	03/24/10

NO.	REVISIONS	DATE	BY
2	ISSUED FOR TENDER	03/26/10	TJP
1	ISSUED FOR 75% REVIEW	03/03/10	TJP

DESIGNED BY	RTP
DRAWN BY	TJH/RTP
CHECKED BY	ORIGINAL SIGNED BY TARAN J. PETERS
APPROVED BY	ORIGINAL SIGNED BY DAVE P. KRAHN
HOR. SCALE	AS NOTED
VERTICAL	AS NOTED
DATE	03/26/10

DILLON CONSULTING

RELEASED FOR CONSTRUCTION
ORIGINAL SIGNED BY RANDY FINGAS
DATE 03/24/10

ENGINEER'S SEAL
PROVINCE OF MANITOBA
REGISTERED PROFESSIONAL ENGINEER
ORIGINAL SIGNED BY
T.J. PETERS
03/26/10
Member 22309

CONSULTANT PROJECT NO.
088813

THE CITY OF WINNIPEG
TRANSIT DEPARTMENT

Winnipeg

SOUTHWEST RAPID TRANSIT CORRIDOR - STAGE 1
TRANSITWAY CONSTRUCTION, LANDSCAPING & ASSOCIATED WORKS

CITY DRAWING NUMBER
P-3317-58

SHEET **58** OF **72**

CONSULTANT DRAWING NUMBER
C6-C3048-T

CATCH BASIN DETAILS (1 OF 2)