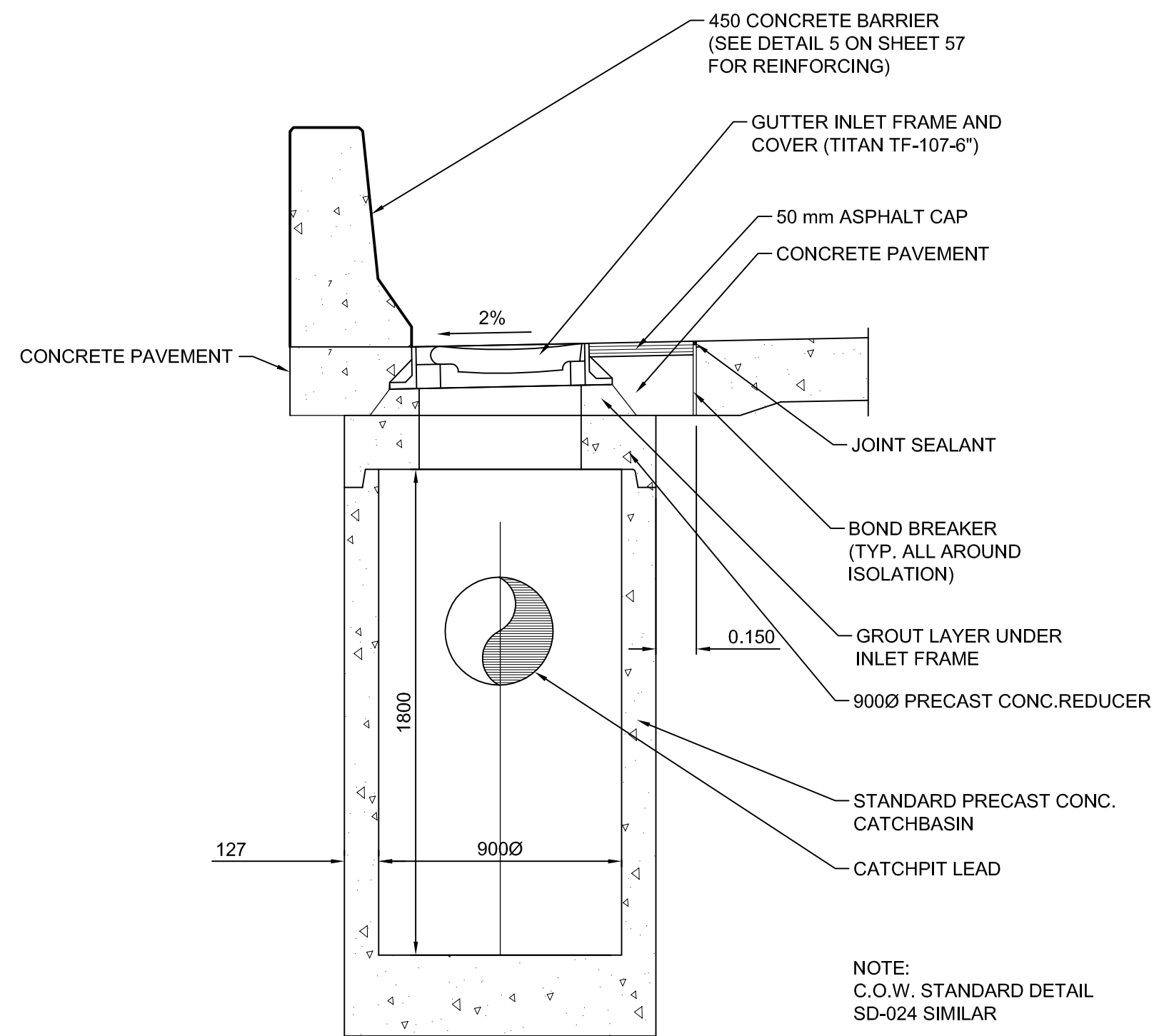
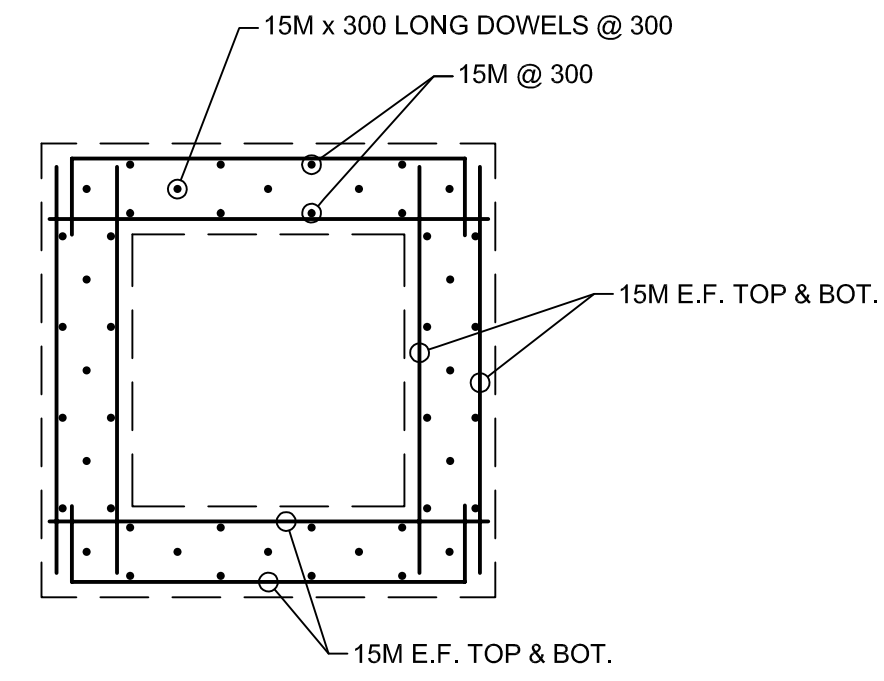


1 CATCH BASIN AT CONCRETE BARRIER
SCALE 1:20

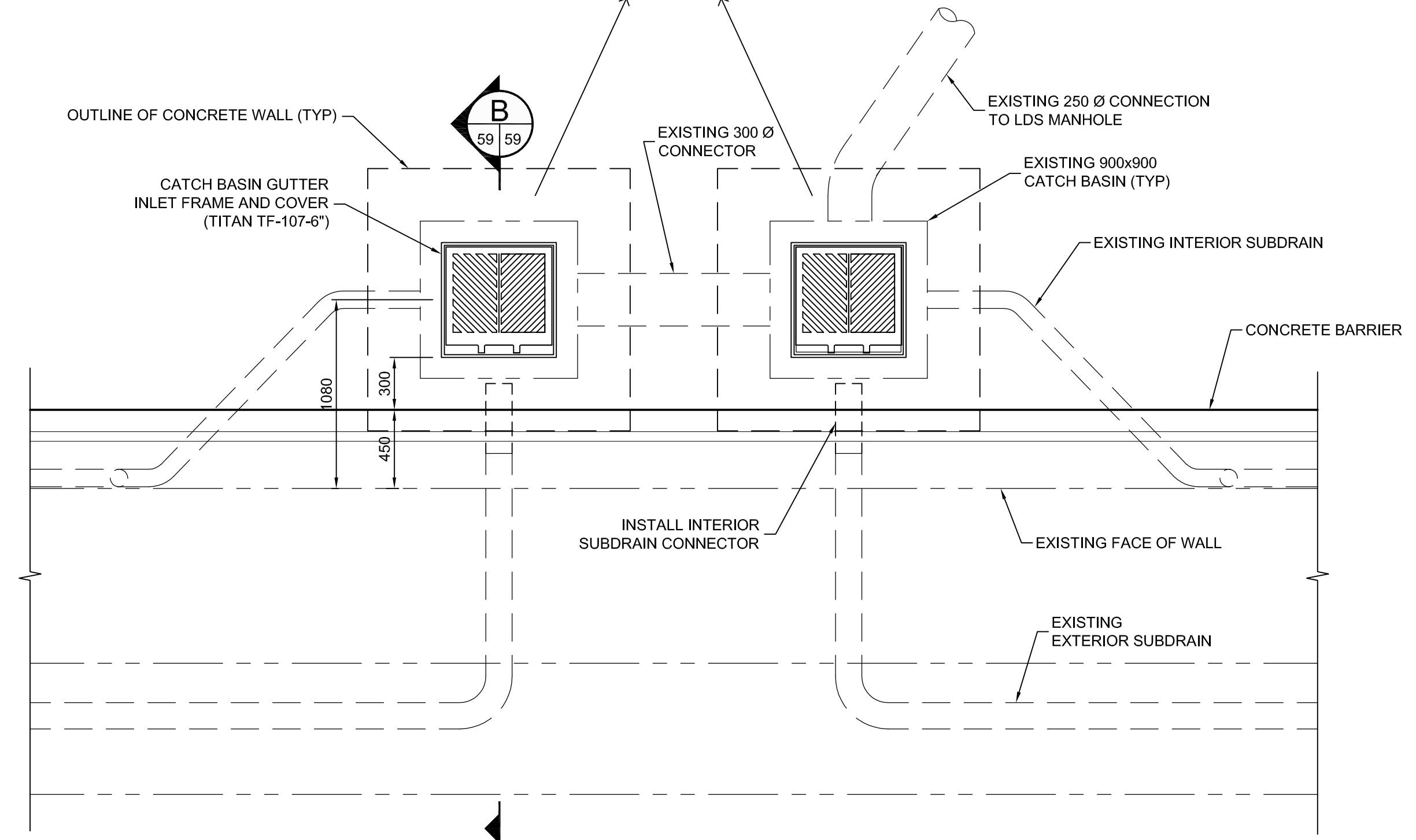


A SECTION
SCALE 1:20

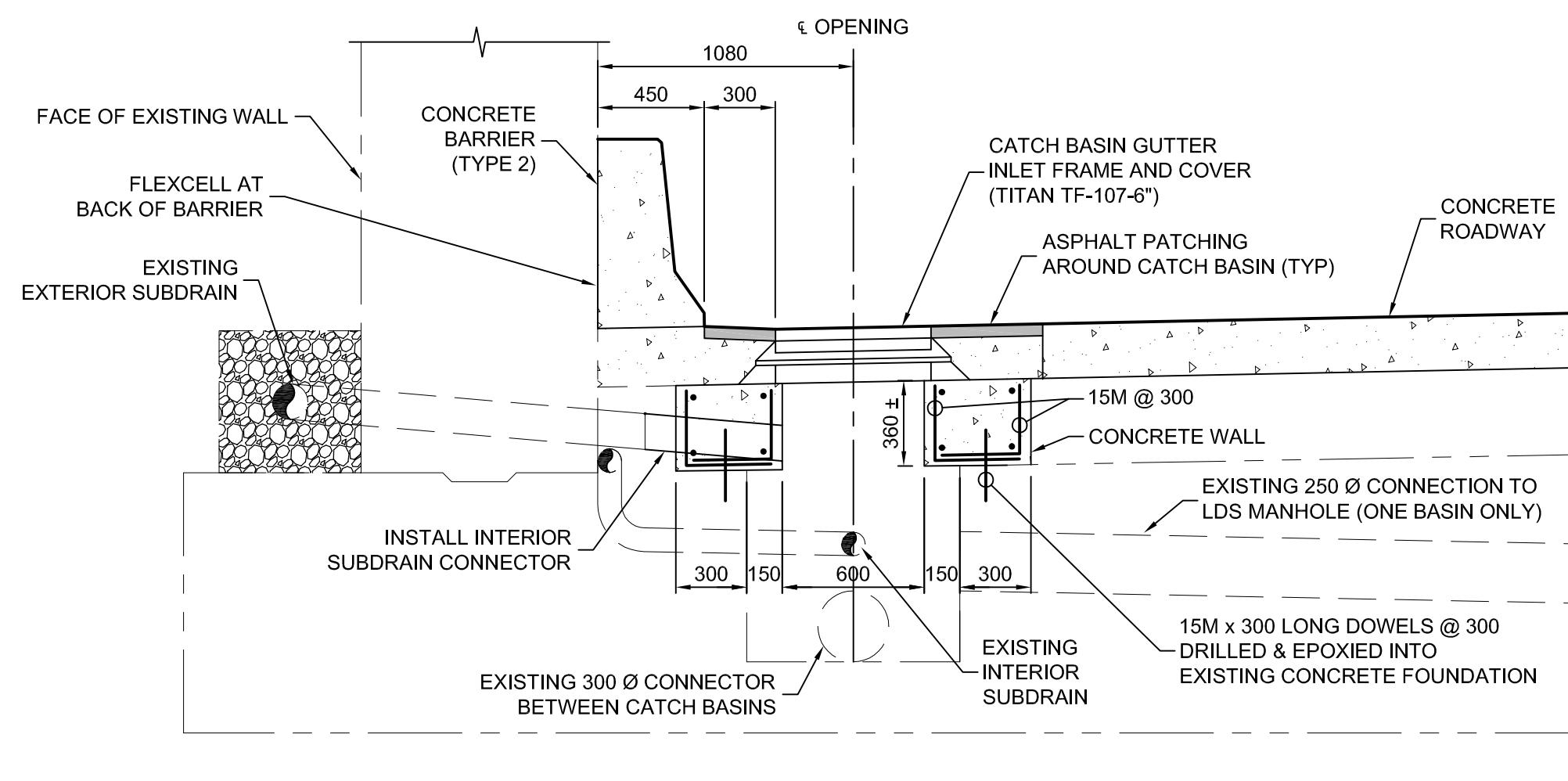
NOTE:
CUT HORIZ. REINFORCING TO
FIT @ SUBDRAIN PIPE LOCATIONS



REINFORCING ARRANGEMENT



2 TUNNEL CATCH BASINS
SCALE 1:25



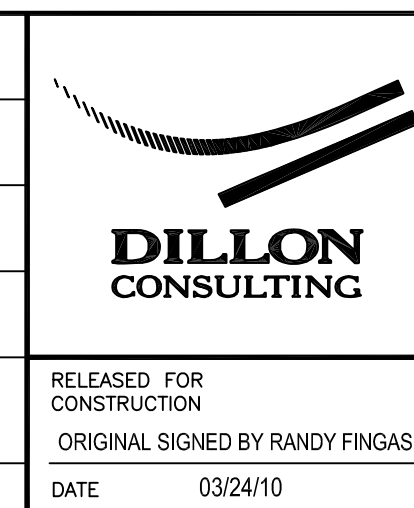
B SECTION
SCALE 1:25

C:\CAD\088813\Contract\Contract_6-Busway\Current\Roadway\CG-355-Details-From-C4.dwg



LOCATION UNDERGROUND	APPROVED STRUCTURES	B.M. ELEV.	DESIGNED BY	ENGINEER'S SEAL
SUPV. U/G STRUCTURES COMMITTEE	DATE		RTP	
NOTE: LOCATION OF UNDERGROUND STRUCTURES AS SHOWN ARE BASED ON THE BEST INFORMATION AVAILABLE, BUT NO GUARANTEE IS GIVEN THAT ALL EXISTING UTILITIES ARE SHOWN OR THAT THE GIVEN LOCATIONS ARE EXACT. CONFIRMATION OF EXISTENCE AND EXACT LOCATION OF ALL SERVICES MUST BE OBTAINED FROM THE INDIVIDUAL UTILITIES BEFORE PROCEEDING WITH CONSTRUCTION.				
2	ISSUED FOR TENDER	03/26/10	TJP	
1	ISSUED FOR 75% REVIEW	03/03/10	TJP	
NO.	REVISIONS	DATE	BY	

DESIGNED BY	DRAWN BY	CHECKED BY	APPROVED BY	HOR. SCALE	VERTICAL	RELEASED FOR CONSTRUCTION
RTP	TJH/RTP	ORIGINAL SIGNED BY TARAN J. PETERS	ORIGINAL SIGNED BY DAVE P. KRAHN	AS NOTED	AS NOTED	ORIGINAL SIGNED BY RANDY FINGAS
DATE	03/26/10	DATE	03/26/10	DATE	03/24/10	



CONSULTANT PROJECT NO.	088813
------------------------	--------

THE CITY OF WINNIPEG
TRANSIT DEPARTMENT

Winnipeg

SOUTHWEST RAPID TRANSIT CORRIDOR - STAGE 1
TRANSITWAY CONSTRUCTION, LANDSCAPING & ASSOCIATED WORKS

CITY DRAWING NUMBER: P-3317-59
SHEET 59 OF 72
CONSULTANT DRAWING NUMBER: C6-C3049-T

CATCH BASIN DETAILS (2 OF 2)