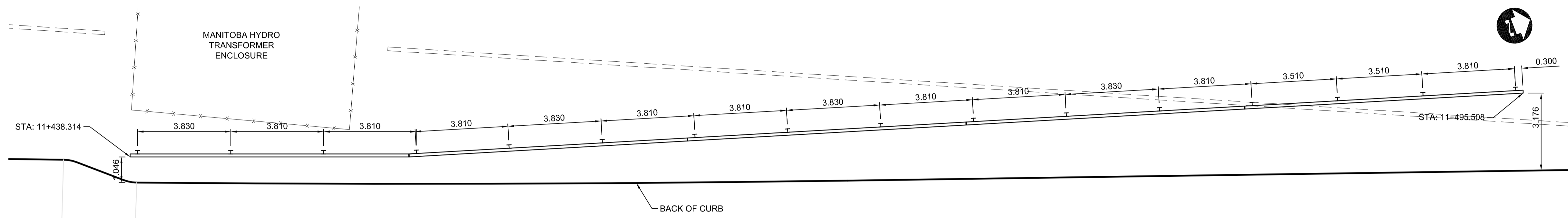
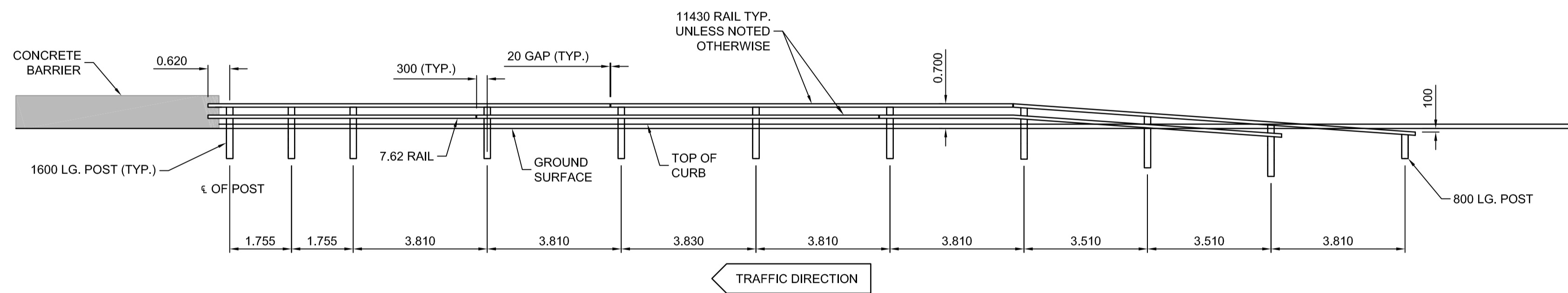


ELEVATION

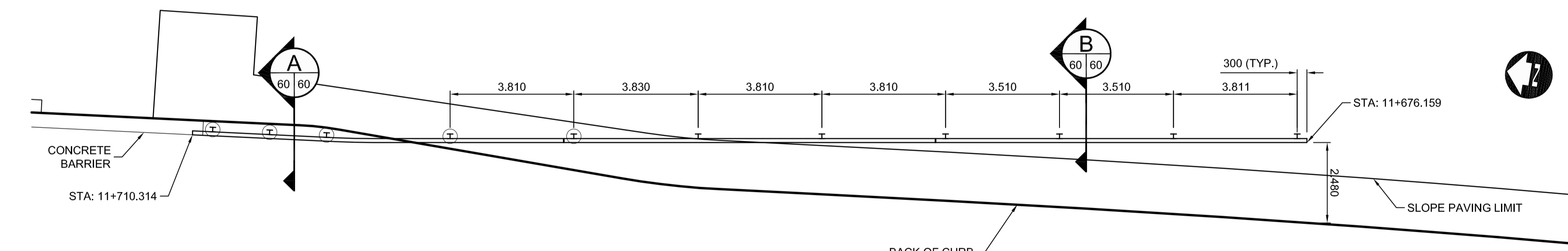


PLAN

1 GUARDRAIL - 1
SCALE 1:100

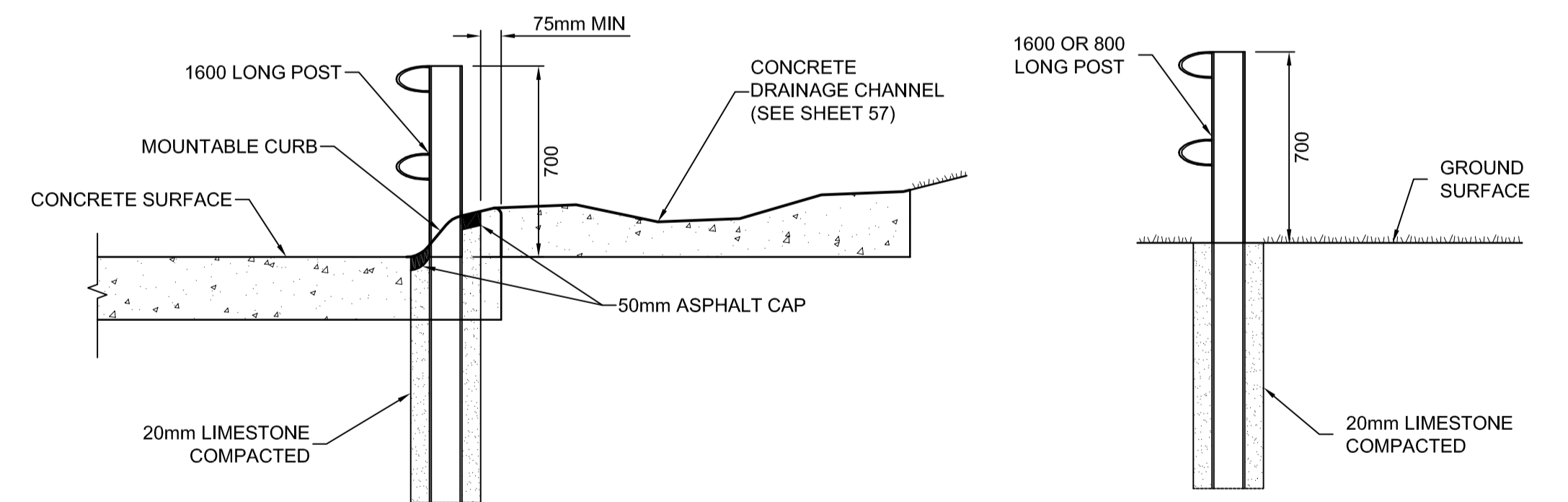
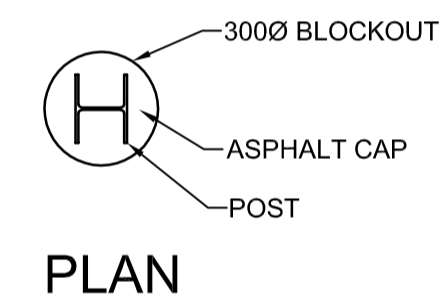


ELEVATION



PLAN

2 GUARDRAIL - 2
SCALE 1:100



A INSTALLATION IN CONCRETE
SCALE 1:20

B INSTALLATION IN GRASS
SCALE 1:20

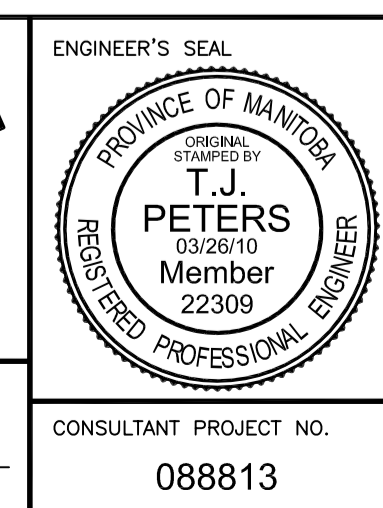
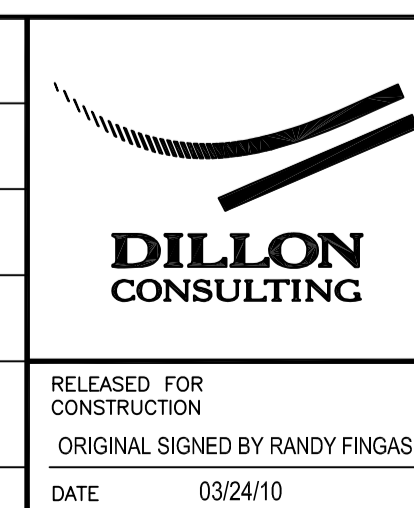
C:\CAD\088813\Contract\Current\Roadway\Current\Roadway\C6-Guard-Rails.dwg



LOCATION UNDERGROUND	APPROVED STRUCTURES	B.M. ELEV.	DESIGNED BY RTP
SUPY. U/G STRUCTURES COMMITTEE	DATE		DRAWN BY PMW
NOTE:			CHECKED BY ORIGINAL SIGNED BY TARAN J. PETERS
LOCATION OF UNDERGROUND STRUCTURES AS SHOWN ARE BASED ON THE BEST INFORMATION AVAILABLE, BUT NO GUARANTEE IS GIVEN THAT ALL EXISTING UTILITIES ARE SHOWN OR THAT THE GIVEN LOCATIONS ARE EXACT. CONFIRMATION OF EXISTENCE AND EXACT LOCATION OF ALL SERVICES MUST BE OBTAINED FROM THE INDIVIDUAL UTILITIES BEFORE PROCEEDING WITH CONSTRUCTION.			APPROVED BY ORIGINAL SIGNED BY DAVE P. KRAHN
2	ISSUED FOR TENDER	03/26/10	TJP
1	ISSUED FOR 75% REVIEW	03/03/10	TJP
NO.	REVISIONS	DATE	BY
		DATE	03/26/10

RELEASSED FOR CONSTRUCTION	ORIGINAL SIGNED BY RANDY FINGAS	DATE	03/24/10
----------------------------	---------------------------------	------	----------

HOR. SCALE	AS NOTED
VERTICAL	AS NOTED



THE CITY OF WINNIPEG
TRANSIT DEPARTMENT

Winnipeg

SOUTHWEST RAPID TRANSIT CORRIDOR - STAGE 1
TRANSITWAY CONSTRUCTION, LANDSCAPING & ASSOCIATED WORKS

CONSULTANT PROJECT NO. 088813

CITY DRAWING NUMBER P-3317-60
SHEET 60 OF 72
CONSULTANT DRAWING NUMBER C6-C3050-T

GUARDRAILS