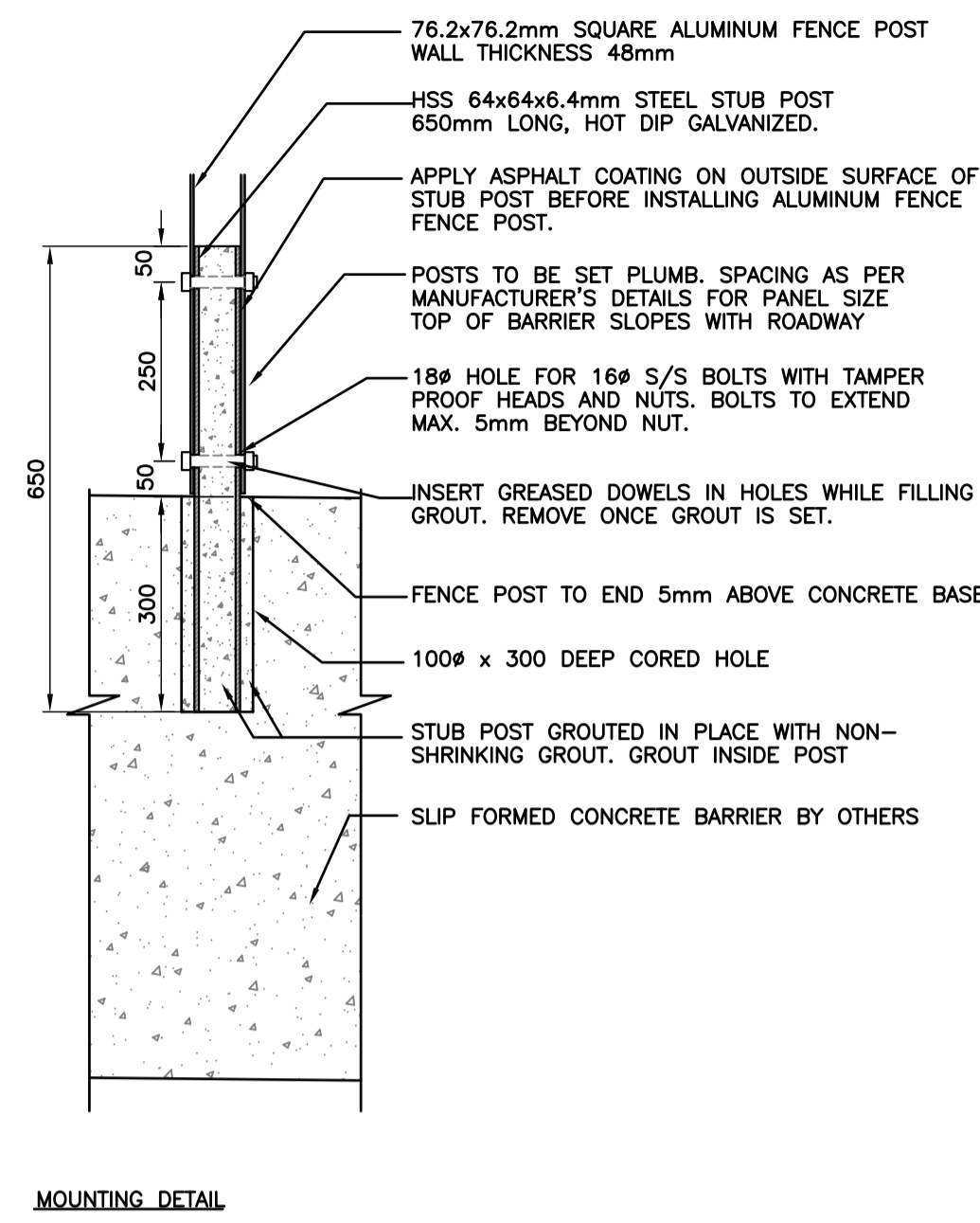
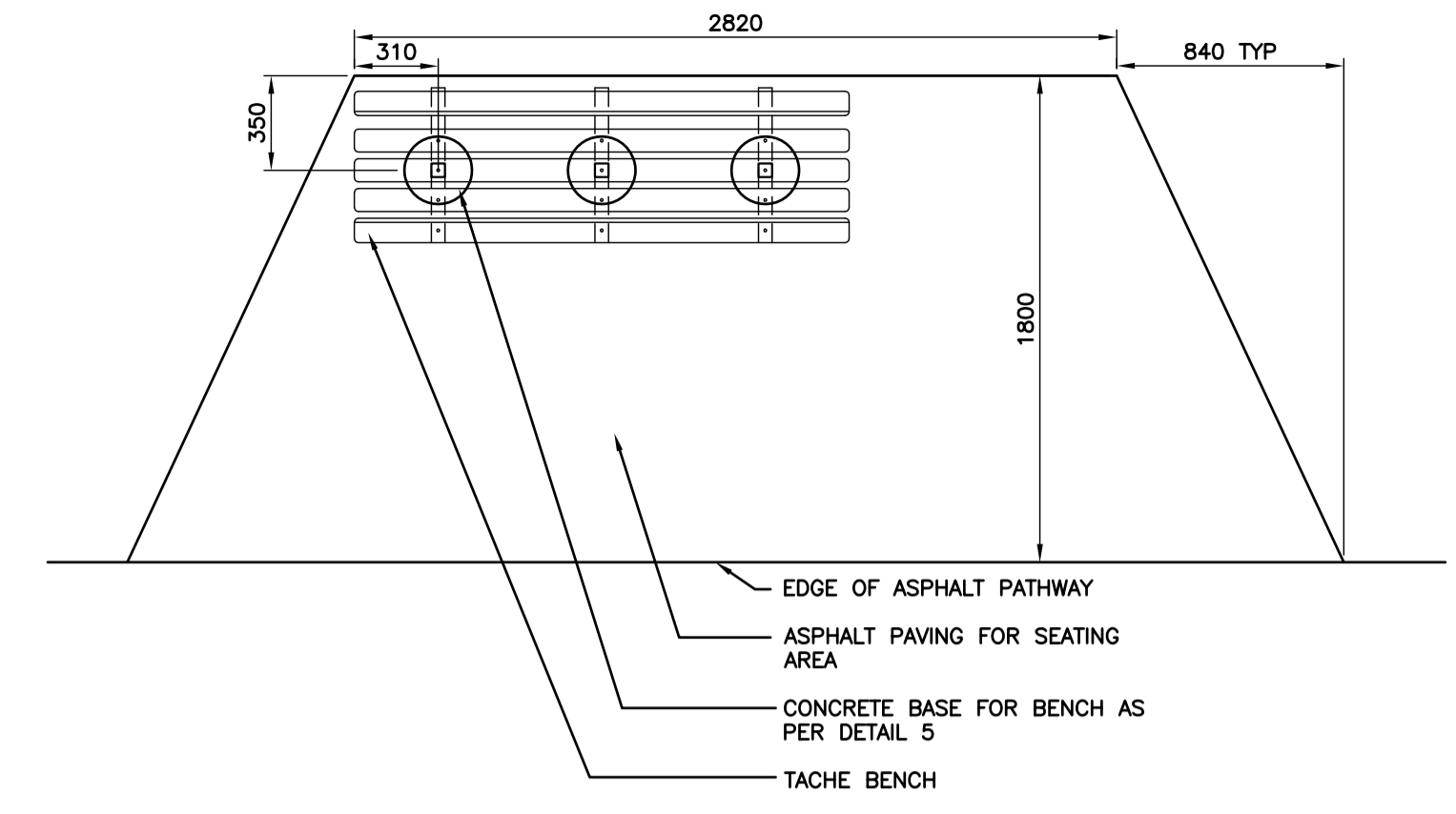


TYPICAL FENCE MOUNTED ON EXISTING BARRIER
N.T.S.

1
72 | 70

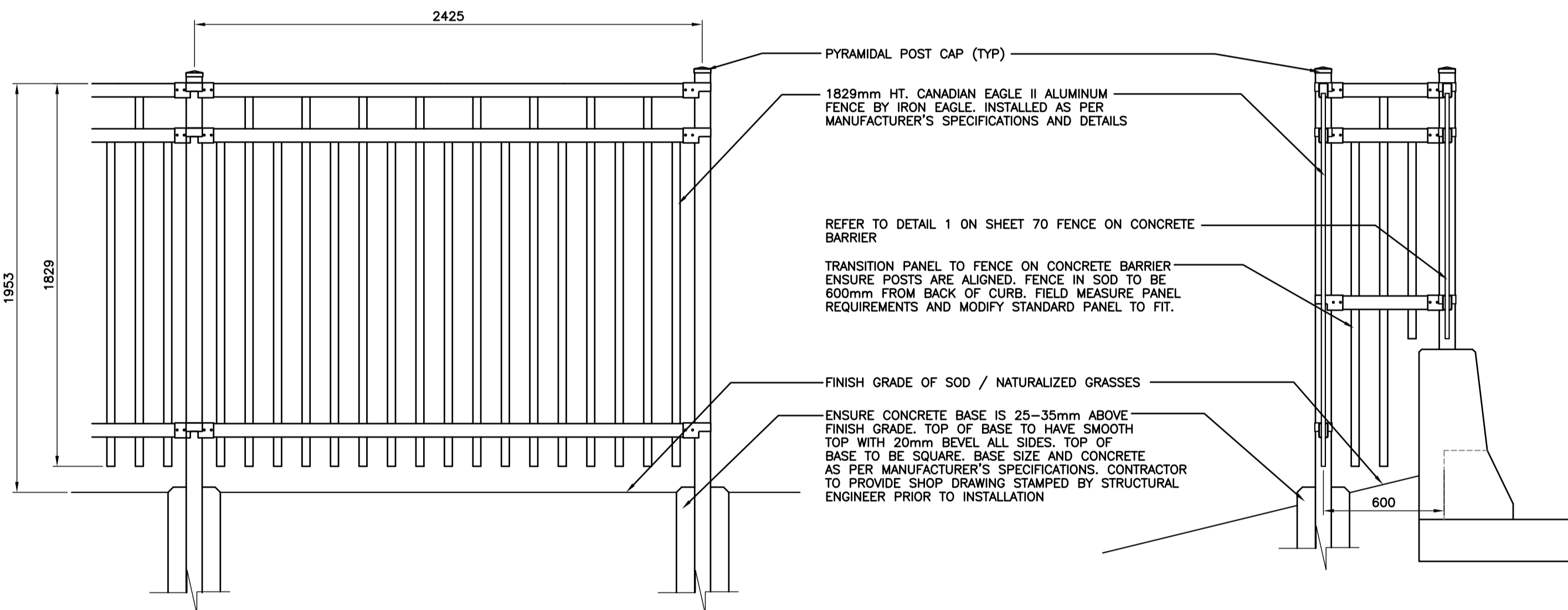


MOUNTING DETAIL



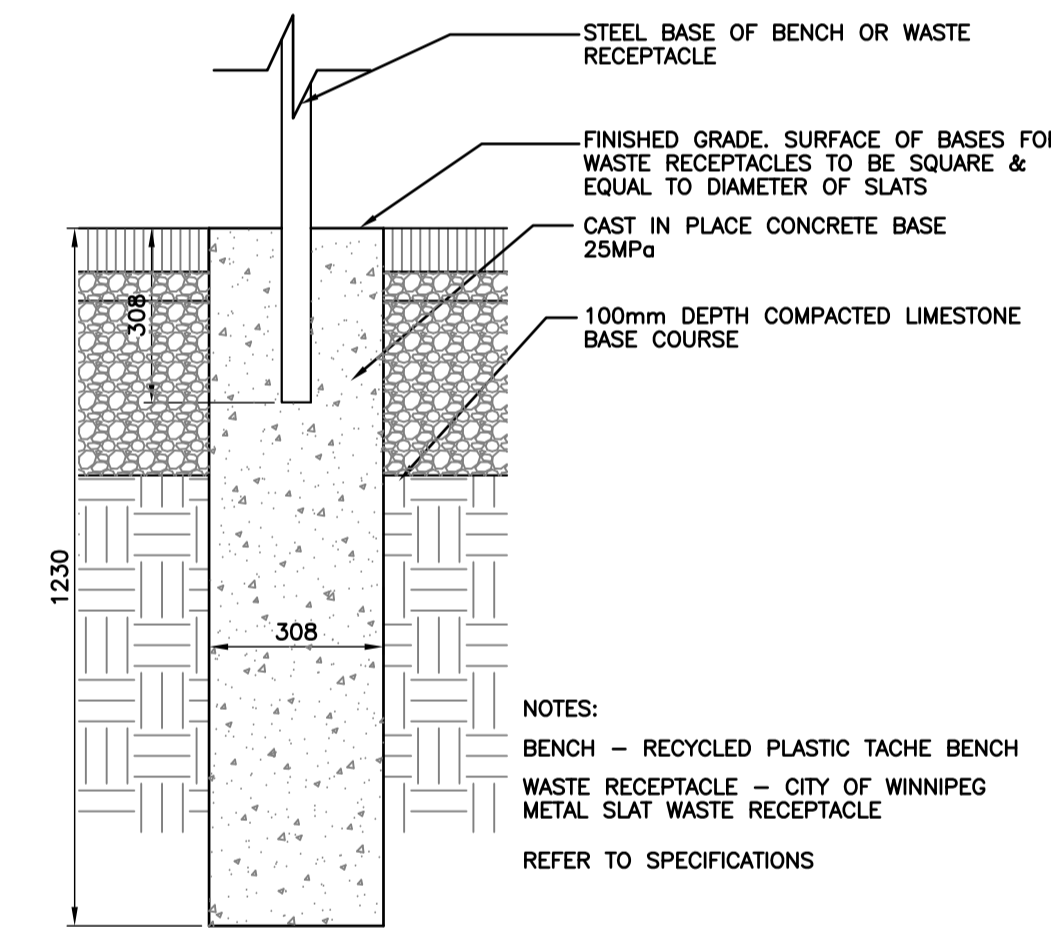
TYPICAL SEATING AREA LAYOUT
N.T.S.

4
70



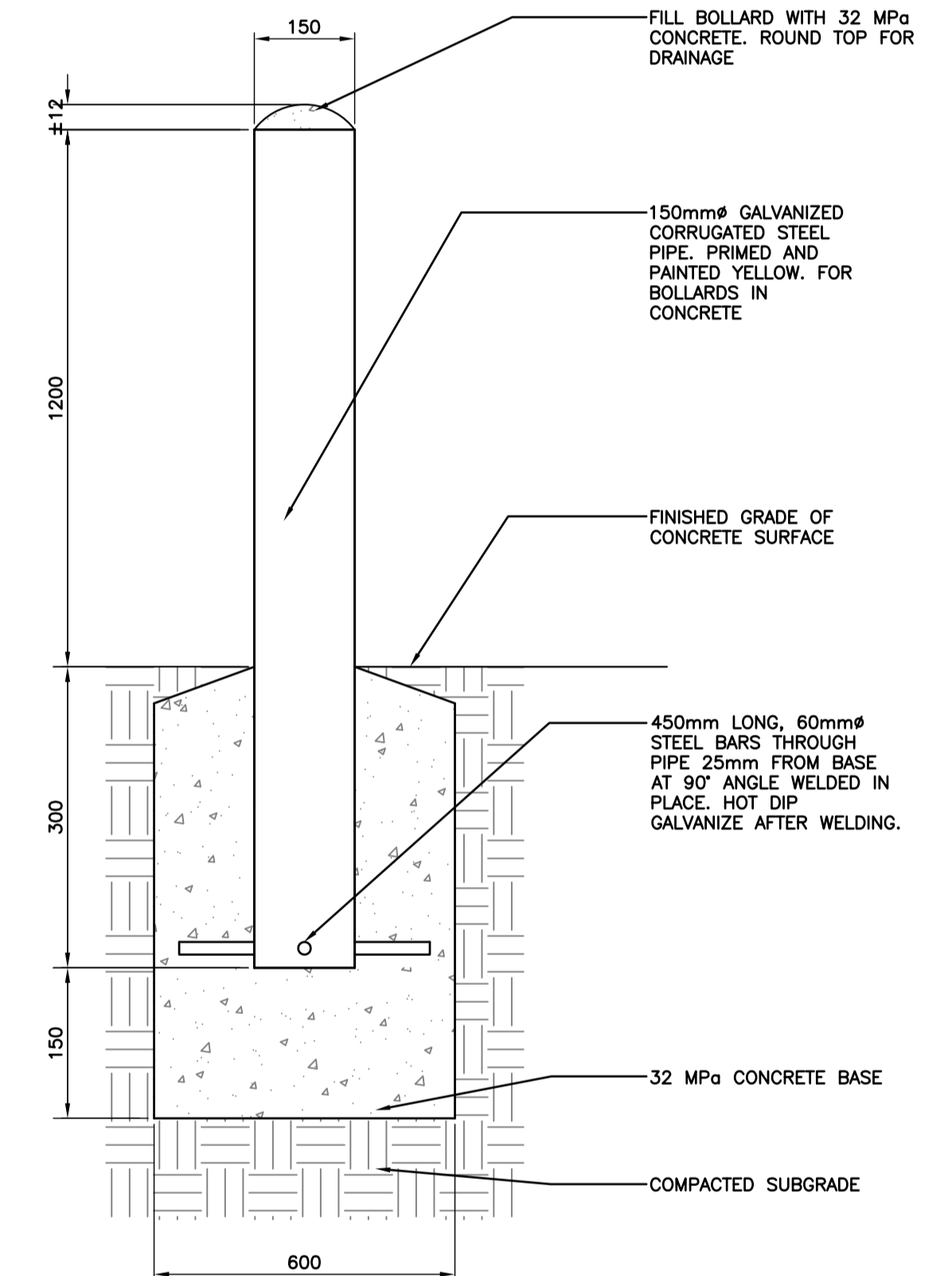
TYPICAL FENCE IN SOD AND TRANSITION TO FENCE MOUNTED ON BARRIER
N.T.S.

2
63 | 70



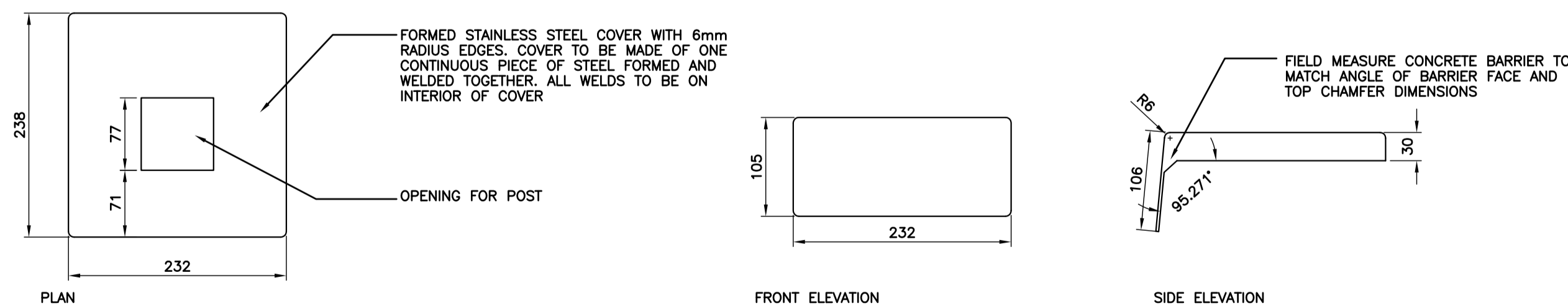
BENCH AND WASTE RECEPTACLE BASE
N.T.S.

5
70



CONCRETE FILLED STEEL BOLLARD
N.T.S.

6
68 | 70



STAINLESS STEEL BOLT COVER
N.T.S.

3
70 | 70

LOCATION UNDERGROUND STRUCTURES SUPV. U/G STRUCTURES COMMITTEE DATE NOTE: LOCATION OF UNDERGROUND STRUCTURES AS SHOWN ARE BASED ON THE BEST INFORMATION AVAILABLE BUT NO GUARANTEE IS GIVEN THAT ALL EXISTING UTILITIES ARE SHOWN OR THAT THE GIVEN LOCATIONS ARE EXACT. CONFIRMATION OF EXISTENCE AND EXACT LOCATION OF ALL SERVICES MUST BE OBTAINED FROM THE INDIVIDUAL UTILITIES BEFORE PROCEEDING WITH CONSTRUCTION.	APPROVED BY B.M. ELEV. BM ELEV. 2 ISSUED FOR TENDER 30/26/10 JW 1 ISSUED FOR 75% REVIEW 03/03/10 JW NO. REVISIONS DATE BY	DESIGNED BY SR/JW DRAWN BY JW CHECKED BY JW/SR APPROVED BY HOR. SCALE AS NOTED VERTICAL DATE 2010-03-26	 RELEASED FOR CONSTRUCTION ORIGINAL SIGNED BY RANDI FINGAS DATE: MARCH 24, 2010	LANDSCAPE ARCHITECT'S SEAL ORIGINAL SIGNED BY JACKIE WILKIE JACQUELINE L. WILKIE member no. 75 CONSULTANT PROJECT NO. 08-028	 THE CITY OF WINNIPEG TRANSIT DEPARTMENT SOUTHWEST RAPID TRANSIT CORRIDOR - STAGE 1 TRANSITWAY CONSTRUCTION, LANDSCAPING & ASSOCIATED WORKS LANDSCAPE DETAILS	CITY DRAWING NUMBER P-3317-70 SHEET 70 OF 72 CONSULTANT DRAWING NUMBER C6-L-5008-T
--	---	---	--	---	---	--

X:\08-028_Southwestern_BRT_Corridor.dwg(2010) (fort_rouge_yards)\Landscape_Details 2010-03-02.dwg