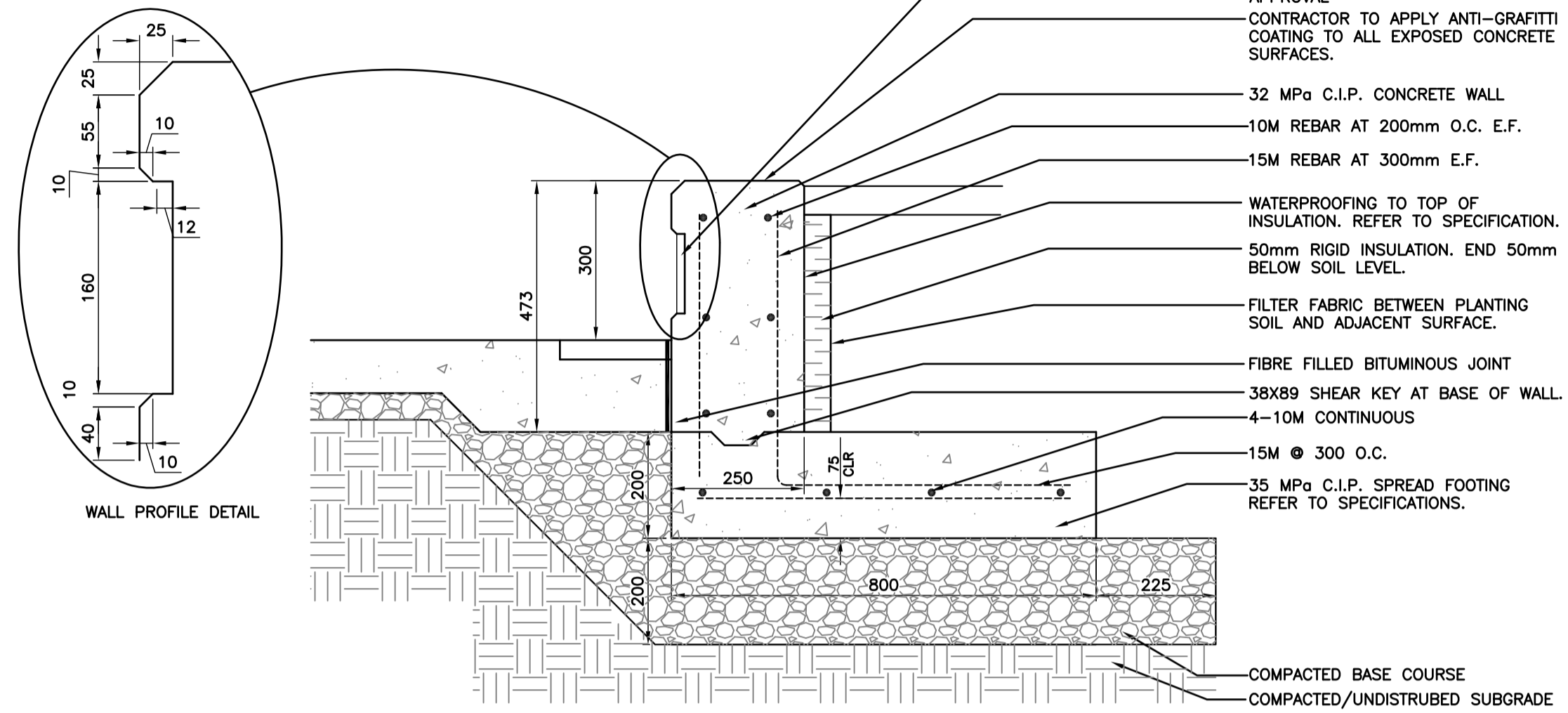


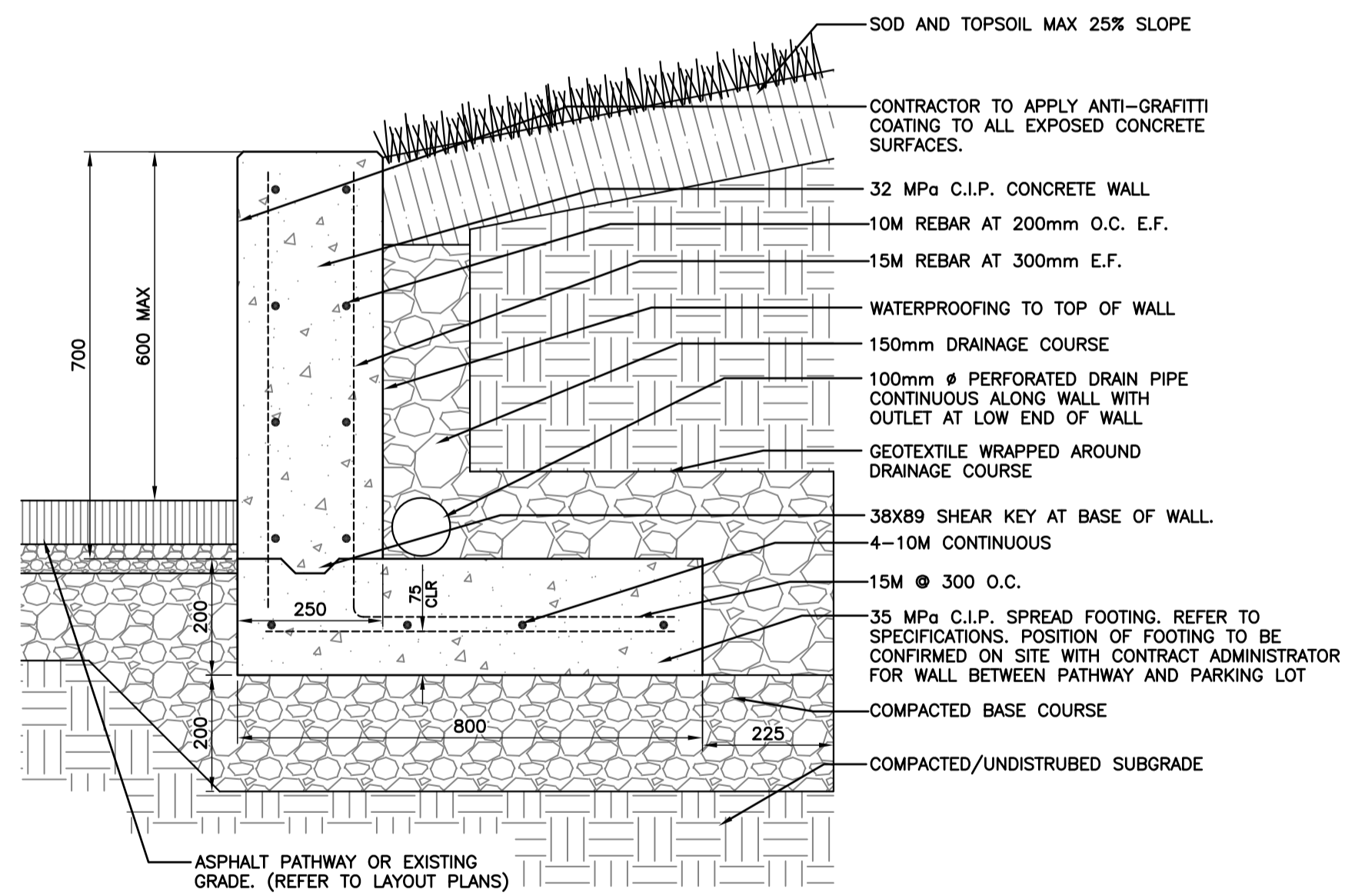
BUS STOP FLAG BASE WITH UNIT PAVER INSERT
N.T.S.

1
66 | 72



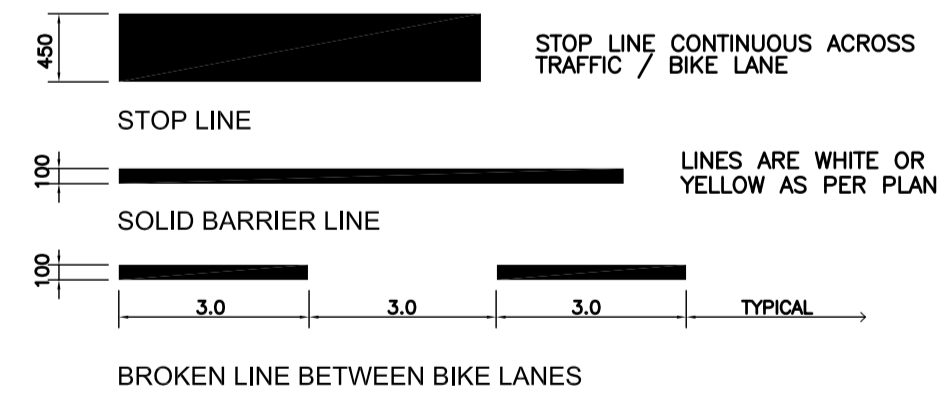
CONCRETE PLANTER WALL
N.T.S.

2
66 | 72



CIP RETAINING WALL
N.T.S.

3
69 | 72



PAINTED PAVEMENT MARKINGS
N.T.S.

4
69 | 72

X:\08-028_Southwestern_BRT_Corridor.dwg\2010\fort_rouge_yards\landscape_Details 2010-03-02.dwg

LOCATION UNDERGROUND	APPROVED STRUCTURES	B.M. ELEV.	BM ELEV	DESIGNED BY	SR/JW	 	LANDSCAPE ARCHITECT'S SEAL	 THE CITY OF WINNIPEG TRANSIT DEPARTMENT	CITY DRAWING NUMBER	P-3317-72
SUPV. U/G STRUCTURES COMMITTEE	DATE			DRAWN BY	JW		 ORIGINAL SIGNED BY JACKIE WILKIE JACQUELINE L. WILKIE member no. 75		SOUTHWEST RAPID TRANSIT CORRIDOR - STAGE 1 TRANSITWAY CONSTRUCTION, LANDSCAPING & ASSOCIATED WORKS	SHEET
NOTE:	LOCATION OF UNDERGROUND STRUCTURES AS SHOWN ARE BASED ON THE BEST INFORMATION AVAILABLE. BUT NO GUARANTEE IS GIVEN THAT ALL EXISTING UTILITIES ARE SHOWN OR THAT THE GIVEN LOCATIONS ARE EXACT. CONFIRMATION OF EXISTENCE AND EXACT LOCATION OF ALL SERVICES MUST BE OBTAINED FROM THE INDIVIDUAL UTILITIES BEFORE PROCEEDING WITH CONSTRUCTION.			CHECKED BY	JW/SR		 ORIGINAL SIGNED BY RANDY FINGAS	CONSULTANT PROJECT NO.	08-028	CONSULTANT DRAWING NUMBER
				APPROVED BY	-	RELEASED FOR CONSTRUCTION				
				HOR. SCALE	AS NOTED	DATE: MARCH 24, 2010				
				VERTICAL						
				DATE	2010-03-26					
				NO. REVISIONS						