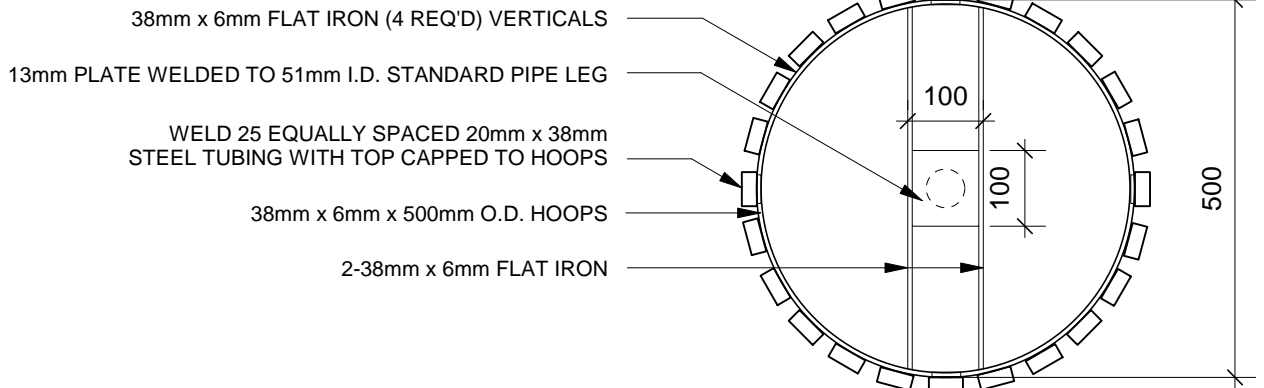


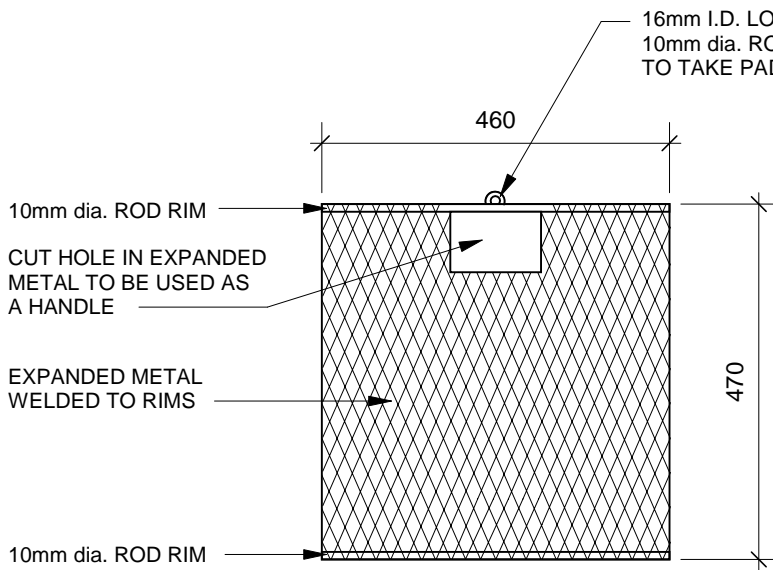
TITLE

# WASTE RECEPTACLE METAL SLAT TYPE

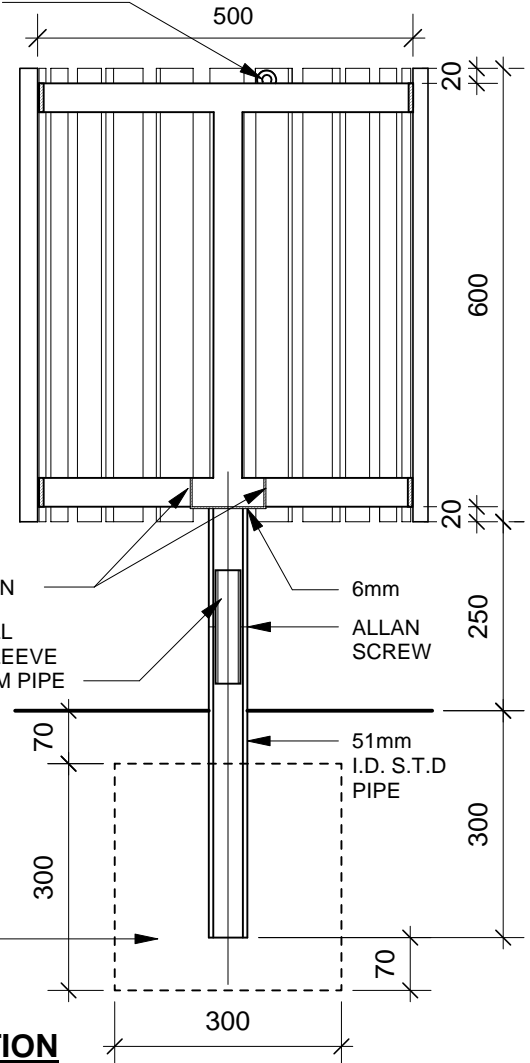
SCD-119



**PLAN**



**METAL BASKET**



**CROSS SECTION**

**NOTE:**

- METAL SLATS SHALL BE PRIMED WITH RUSTOLEUM No. 796, FINISH SHALL BE METAL PAINT, TO MATCH SPECIFIED BENCH COLOUR.
- METAL SHALL BE PRIMED WITH RUSTOLEUM No. 769, FINISH SHALL BE SAPOLIN BLACK WROUGHT FINISH.
- ALL DIMENSIONS ARE IN MILLIMETERS, EXCEPT WHERE NOTED.

ALL DIMENSIONS SHOWN ARE IN MILLIMETRES

NOT TO SCALE  
DATE : AUG 30, 2002  
DRAWN BY : SV / VC

THE CITY OF WINNIPEG  
Planning, Property and Development Department  
Planning and Land Use Division  
Unit 15 - 10 Fort Street, Winnipeg, MB, R3C 4X5

