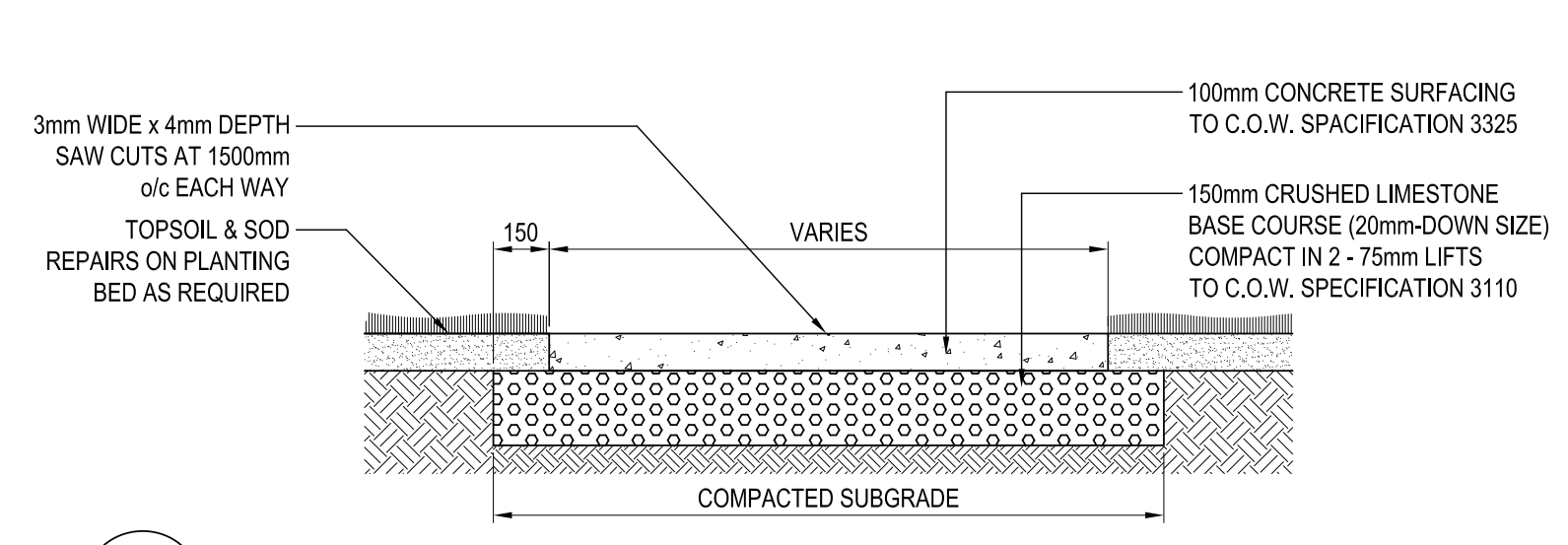
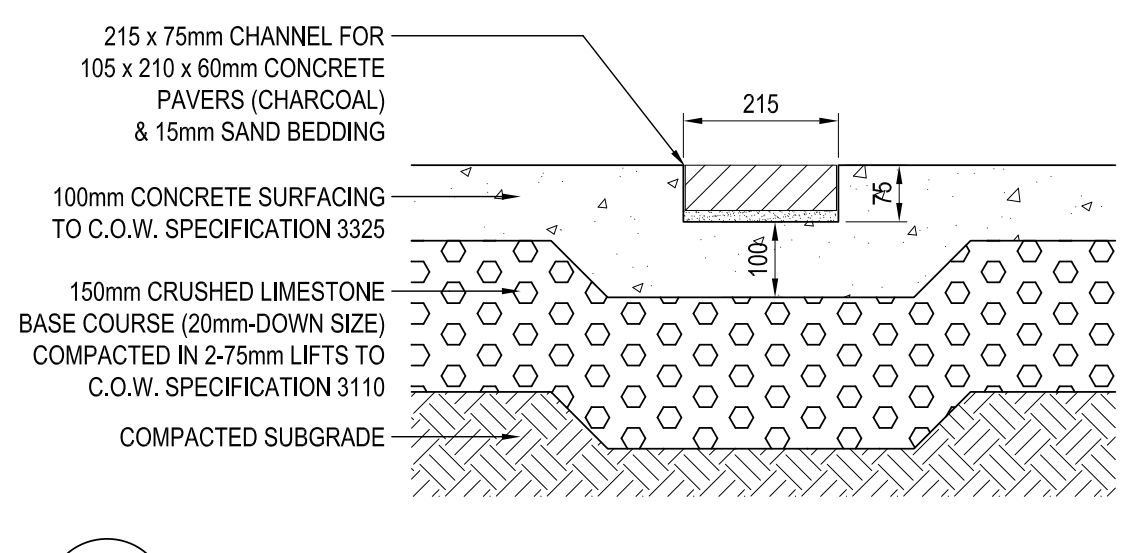


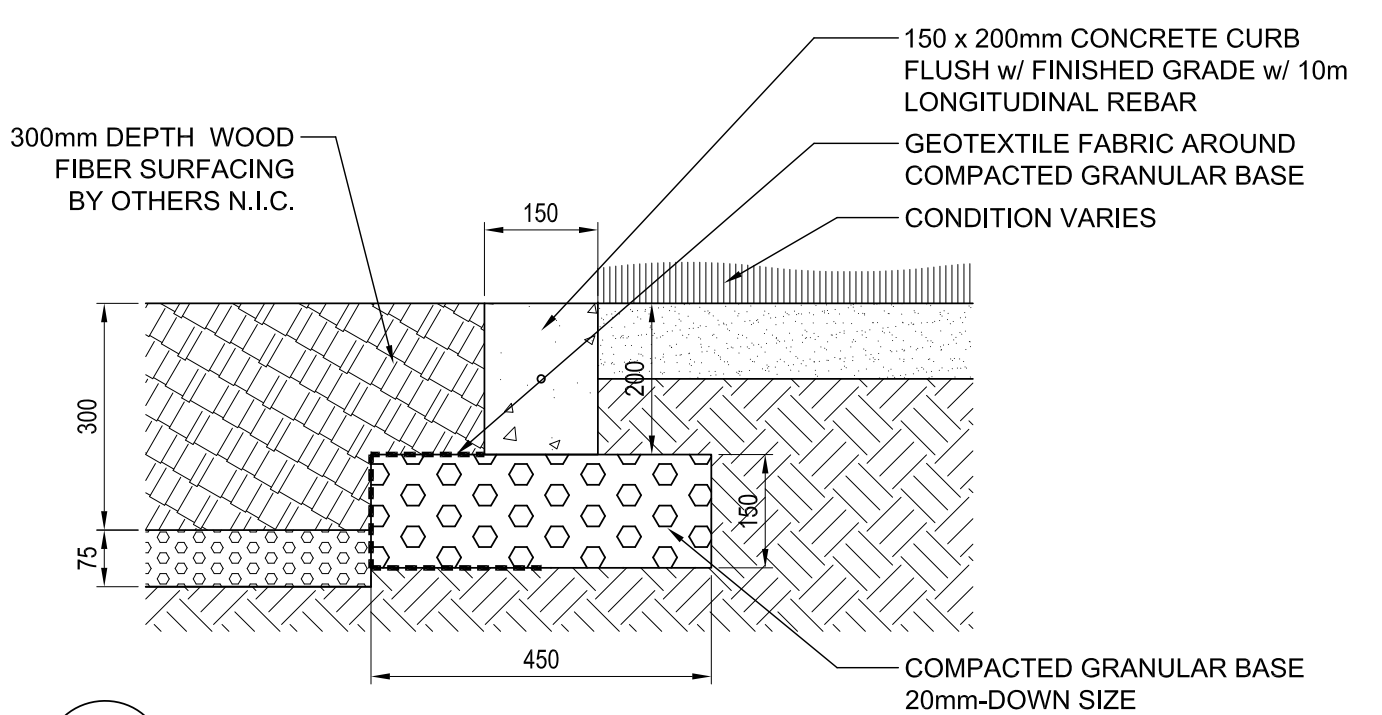
1 Limestone Pathway Section
L05 Scale 1:20



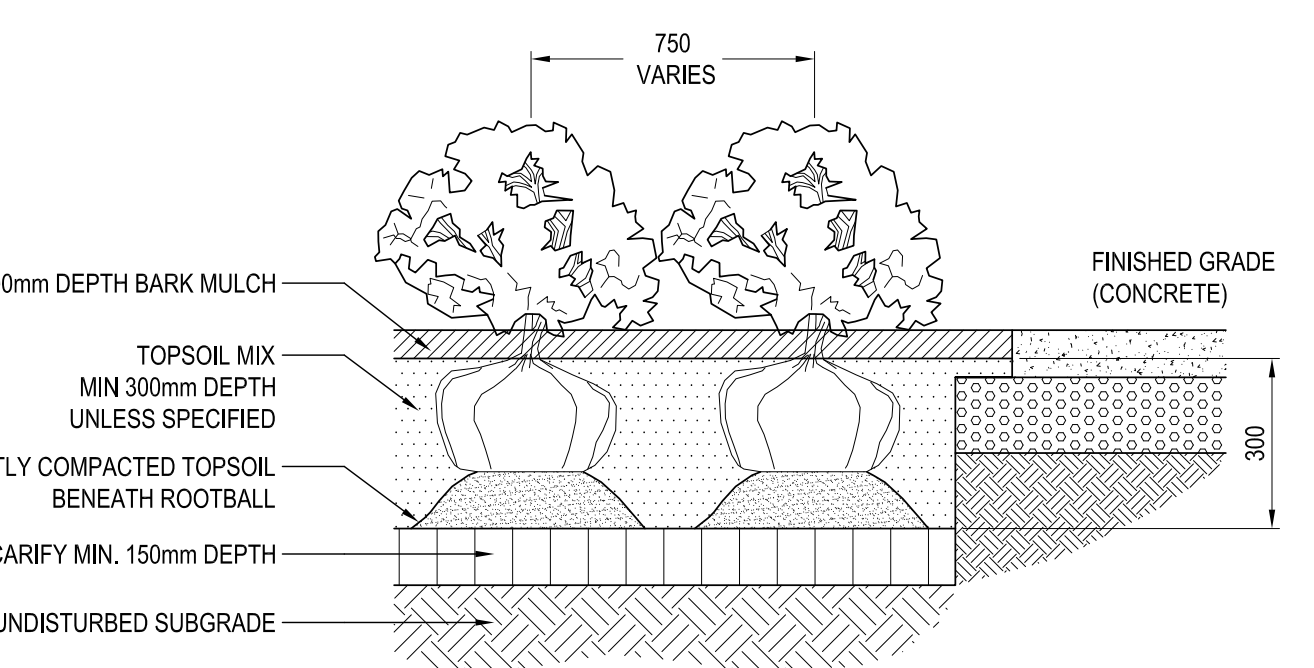
2 Concrete Surfacing Section
L05 Scale 1:20



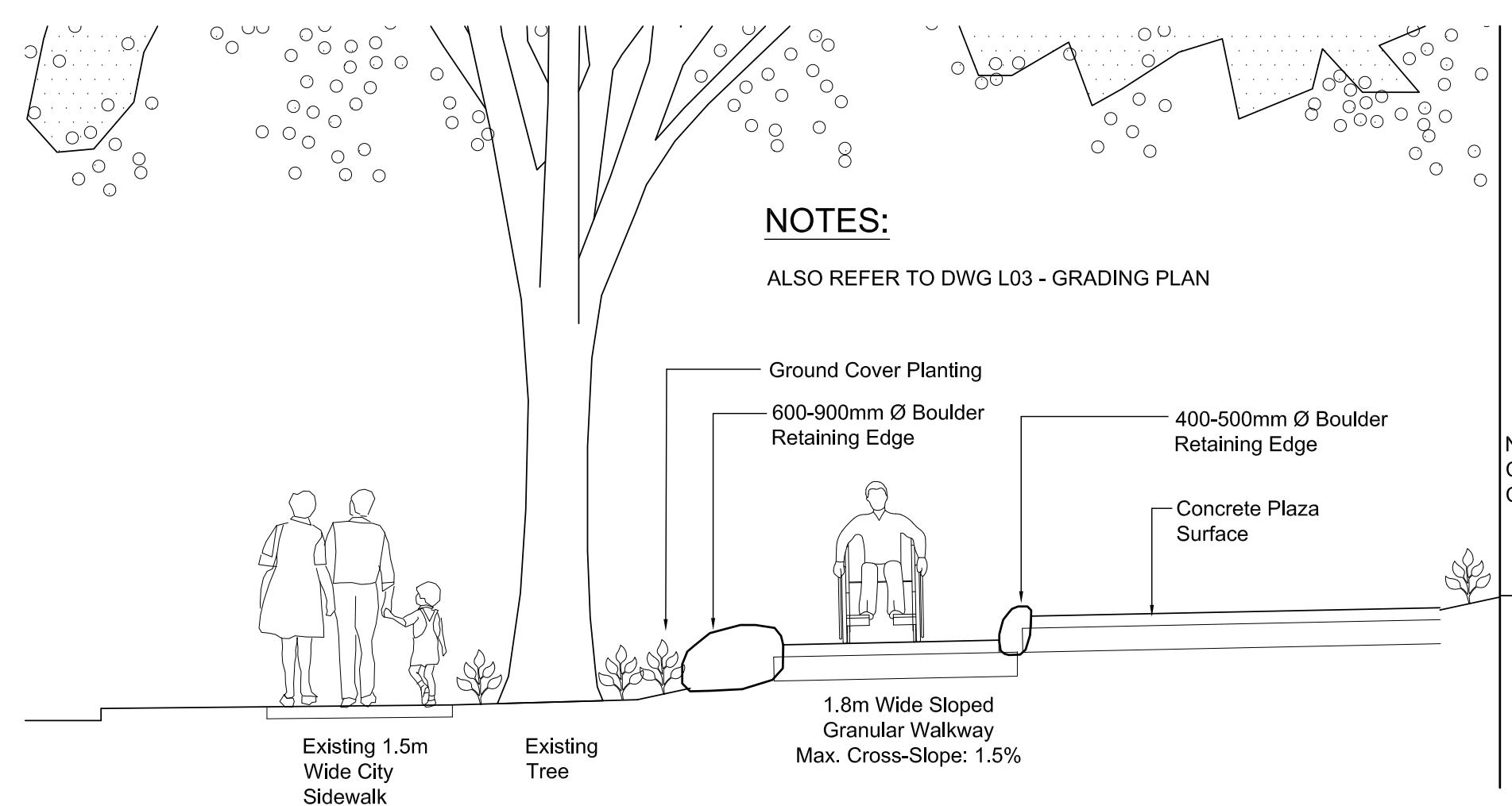
3 Concrete Paver Inlay Section
L05 Scale 1:10



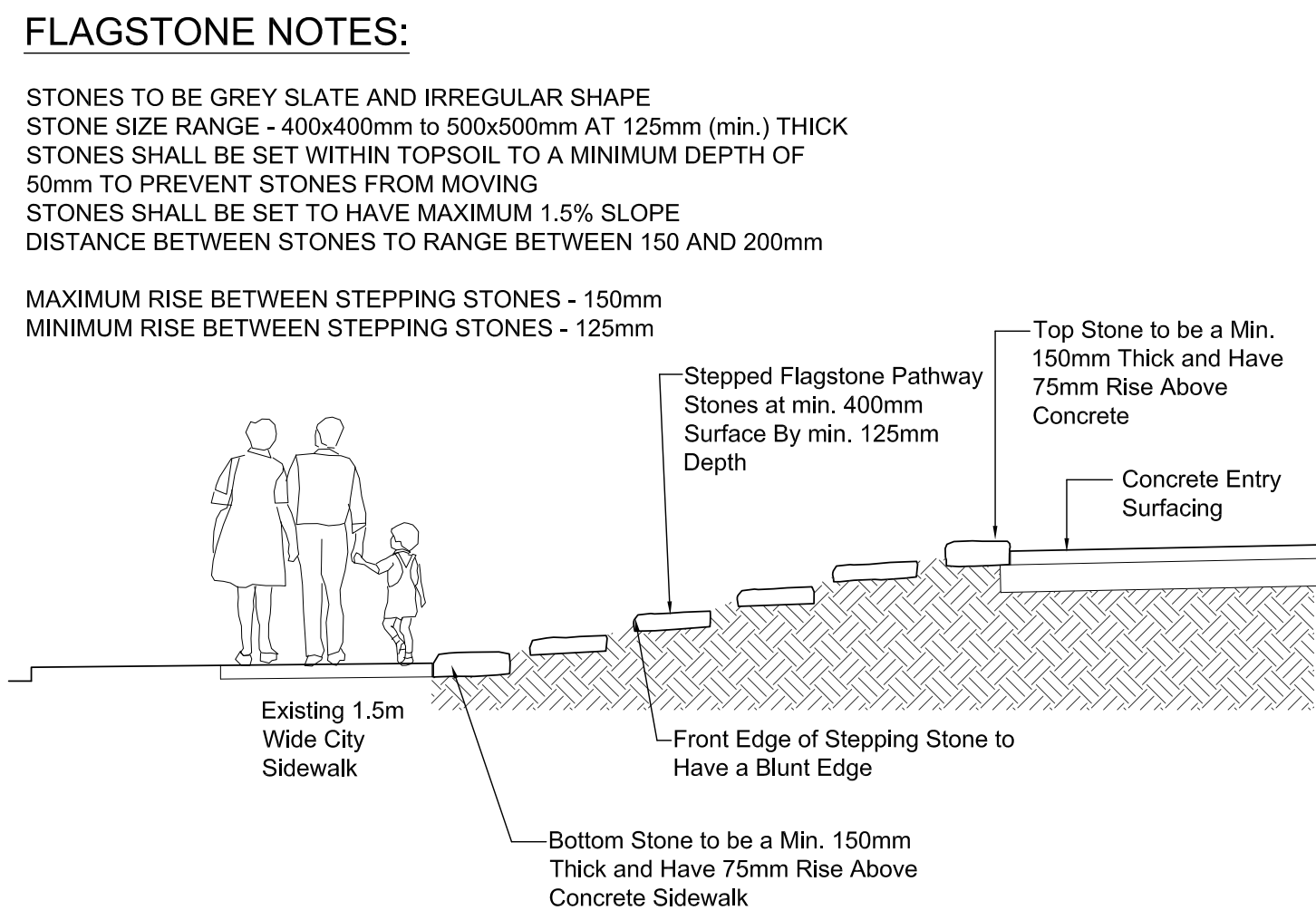
4 Flush Playground Curb Section
L05 Scale 1:10



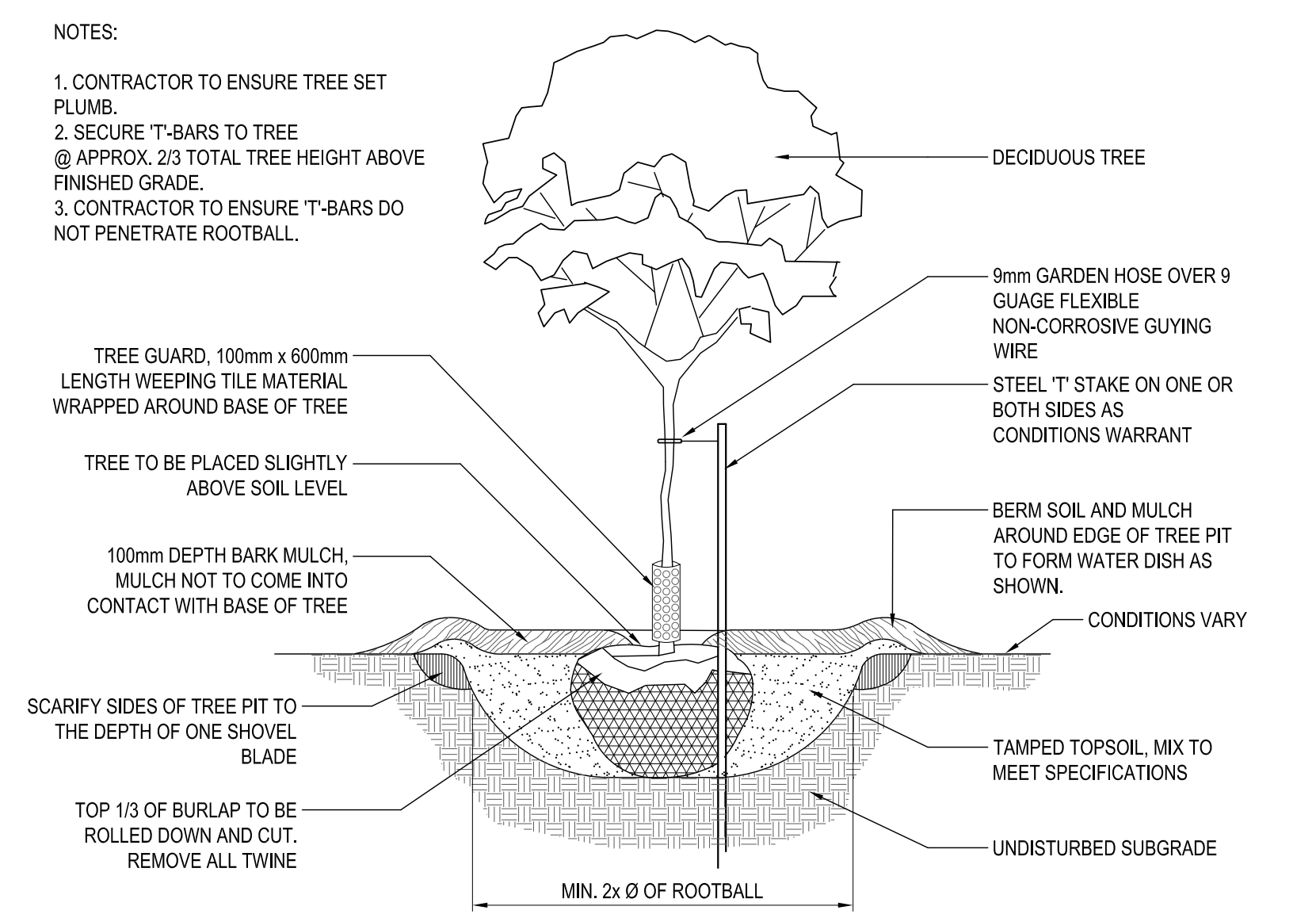
5 Shrub Planting - Section
L05 Scale 1:20



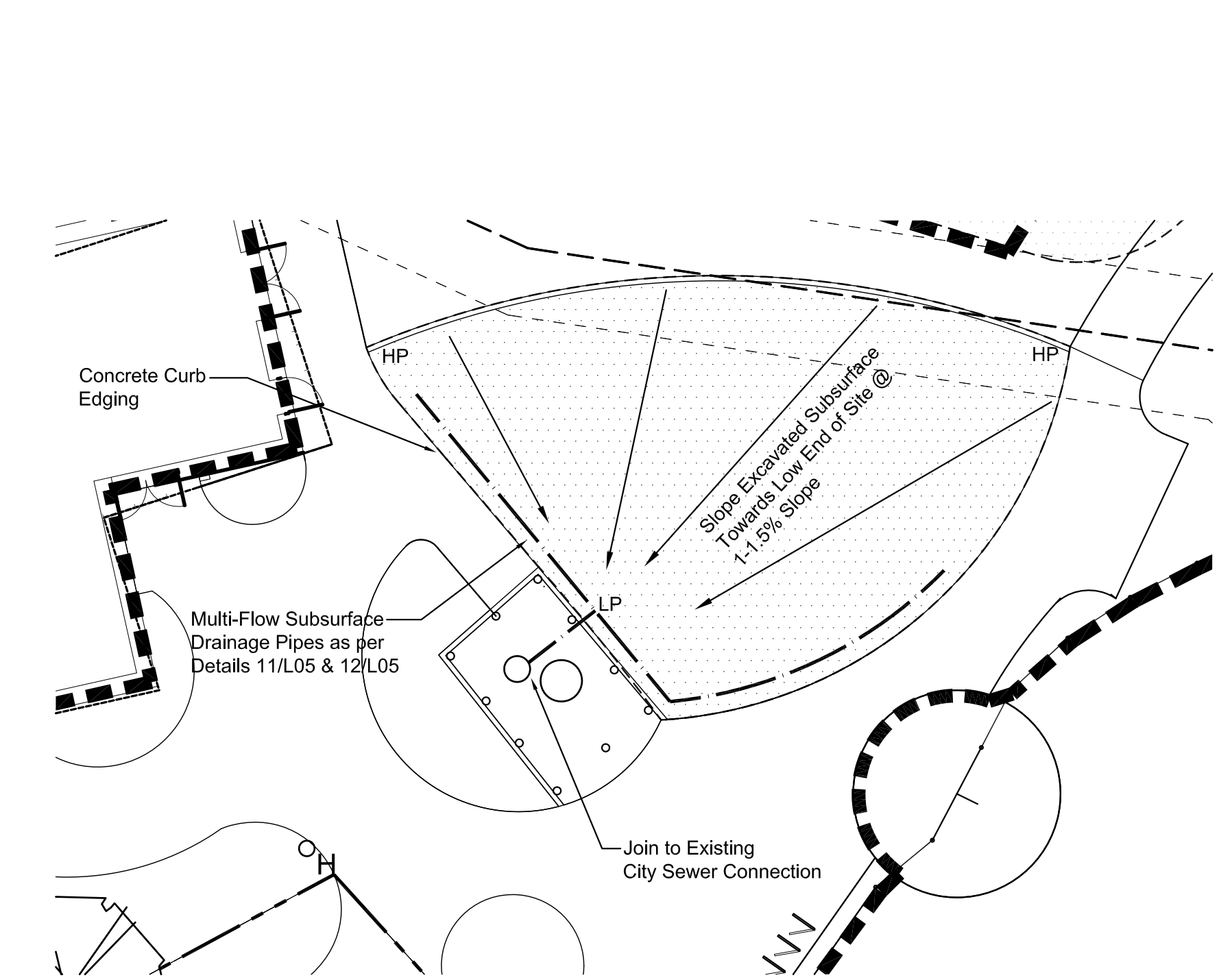
6 Boulder Retaining Edge - Schematic Section
L05 Scale 1:50



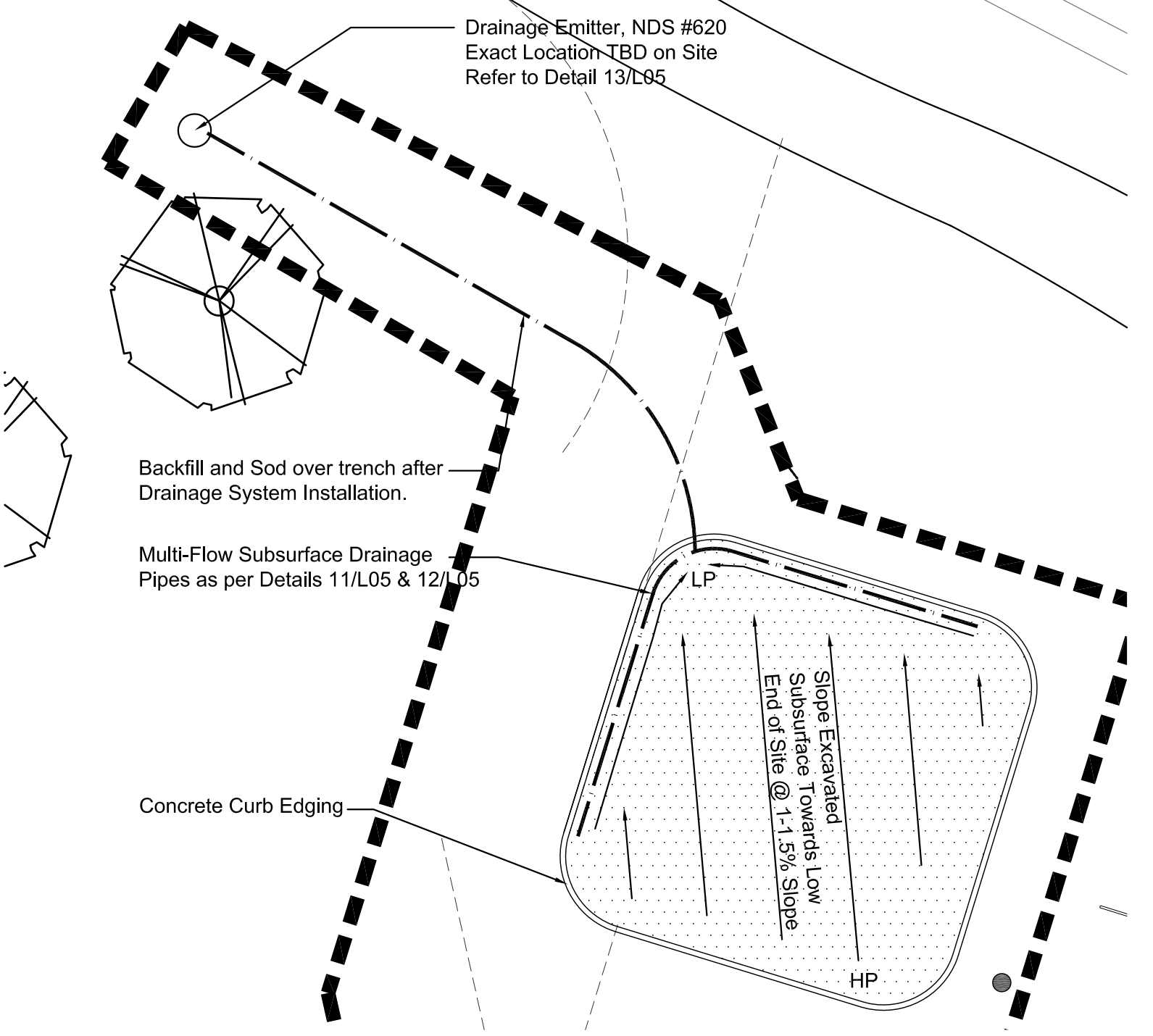
7 Flagstone Pathway - Schematic Section
L05 Scale 1:50



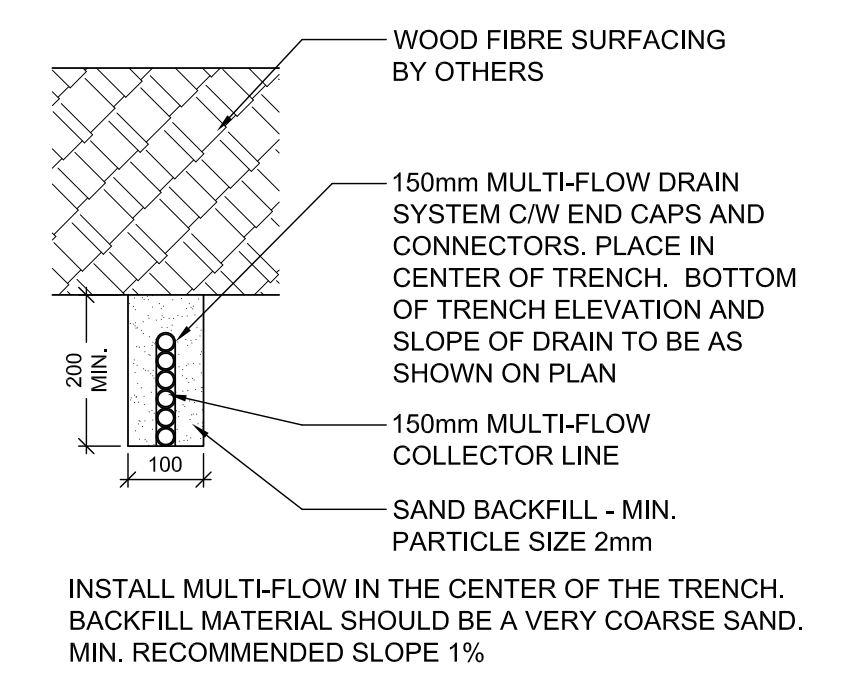
8 Typical Tree Planting Detail
L05 Scale 1:25



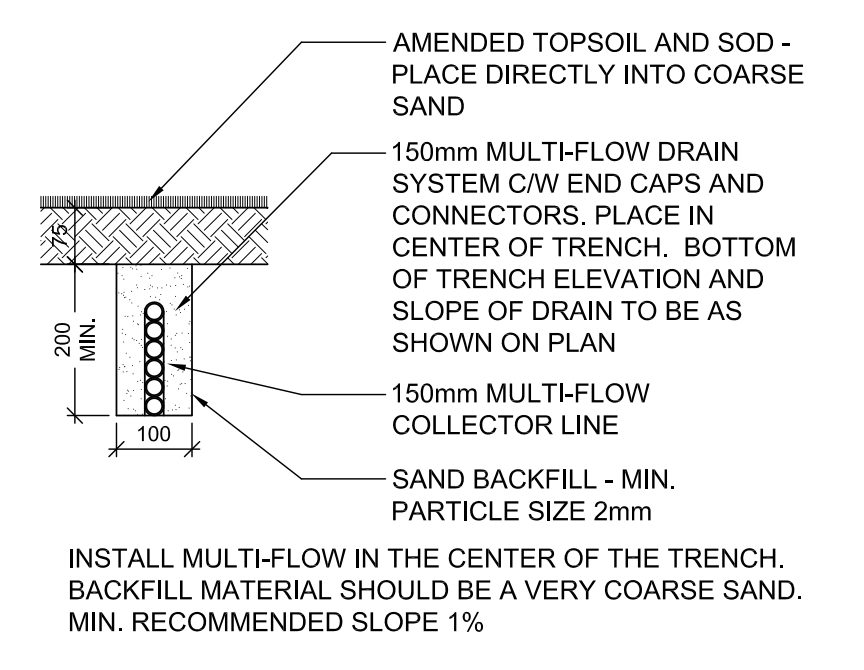
9 Drainage Plan - Junior Play Area
L05 Scale 1:150



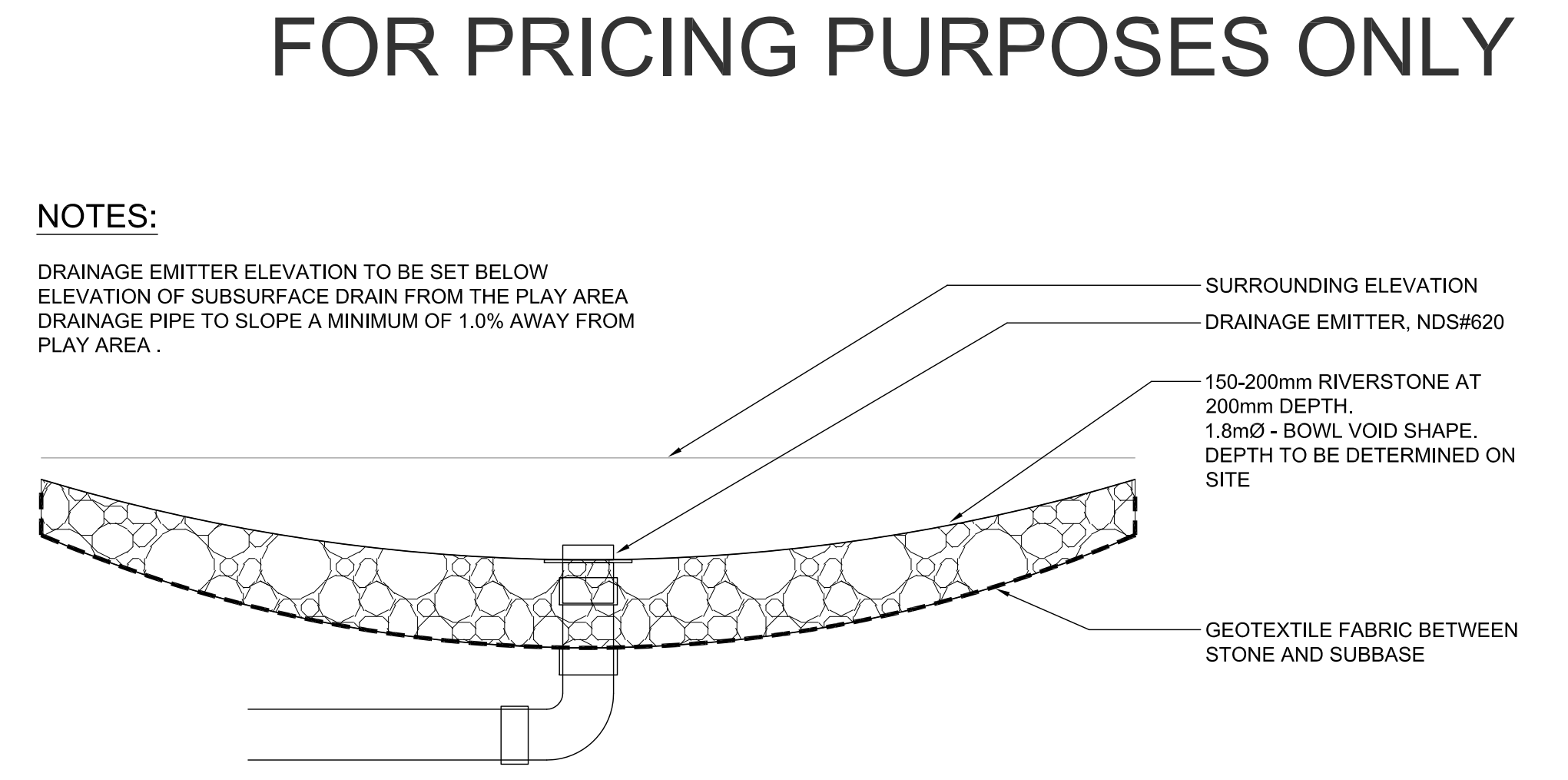
10 Drainage Plan - Senior Swings Area
L05 Scale 1:150



11 Multi-Flow Drain - Safety Surface Area
L05 Scale 1:10



12 Multi-Flow Drain - Sodded Area
L05 Scale 1:10



13 Multi-Flow Drain Emitter
L05 Scale 1:10

FOR PRICING PURPOSES ONLY

- NOTES:
1. ALL SUBBASE MATERIAL TO CITY OF WINNIPEG (CW) SPECIFICATION 3110
 2. ALL GRADING AND EARTHWORK TO CW SPECIFICATION 3170
 3. ALL CONCRETE TO CW SPECIFICATION 3310
 4. CONCRETE SIDEWALK AND SURFACING TO CW SPECIFICATION 3325
 5. TOPSOIL AND SOD TO CW SPECIFICATIONS 3510 AND 3540

NO.	D / M / Y	REVISIONS	BY
RD	13/05/10	ISSUED FOR TENDER	JW



A. SECTION LETTER OR DETAIL NUMBER.
B. DRAWING WHERE SECTION OR DETAIL IS DRAWN.
OR
DRAWING WHERE SECTION OR DETAIL IS INDICATED.
— SECTION OR DETAIL SHOWN ON SAME DRAWING.

CUSTOMER	DESIGN BY	DRAWN BY	SCALE
City of Winnipeg	JW	AR	AS INDICATED
PROJECT TITLE	CHECKED BY	APPROVED BY	DATE
Norquay CC Playground Development - Site Works	JW	JW	MAY 13, 2010
DRAWING TITLE	FILE NO.	SHEET NO.	
Details	7052	L05	