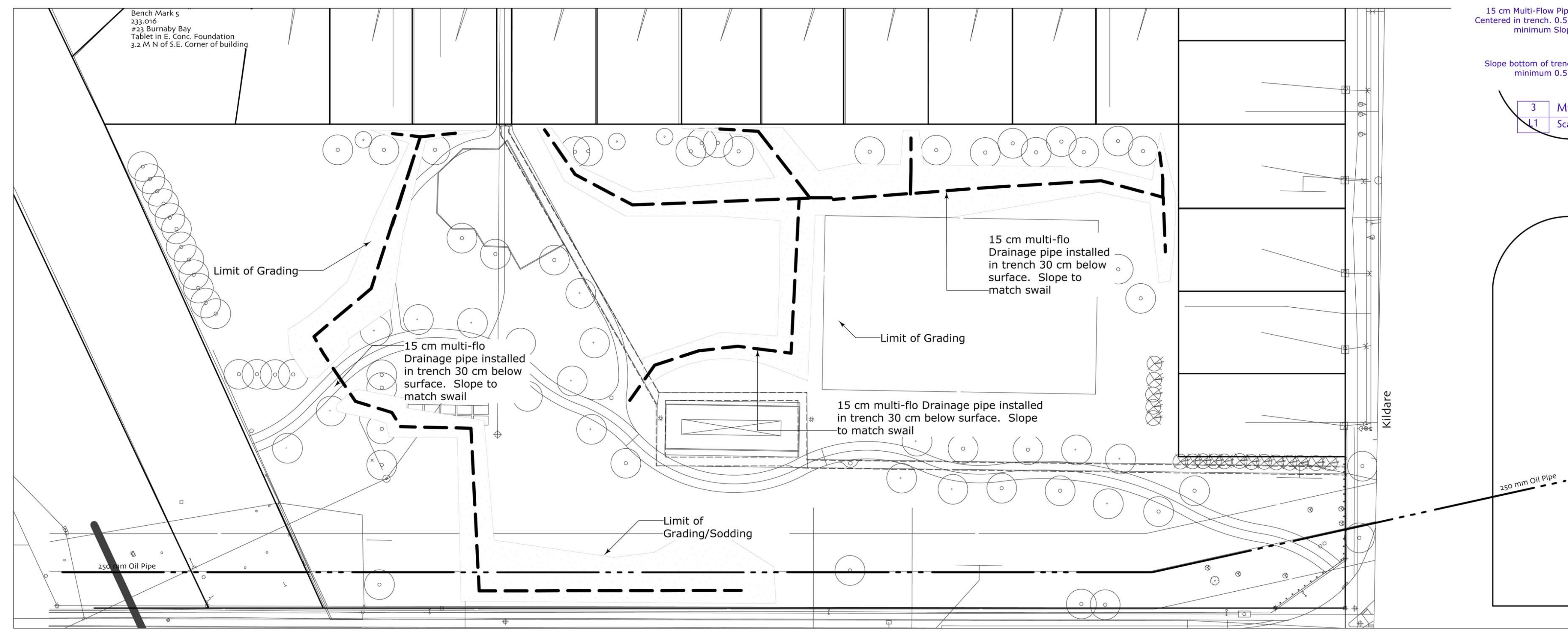
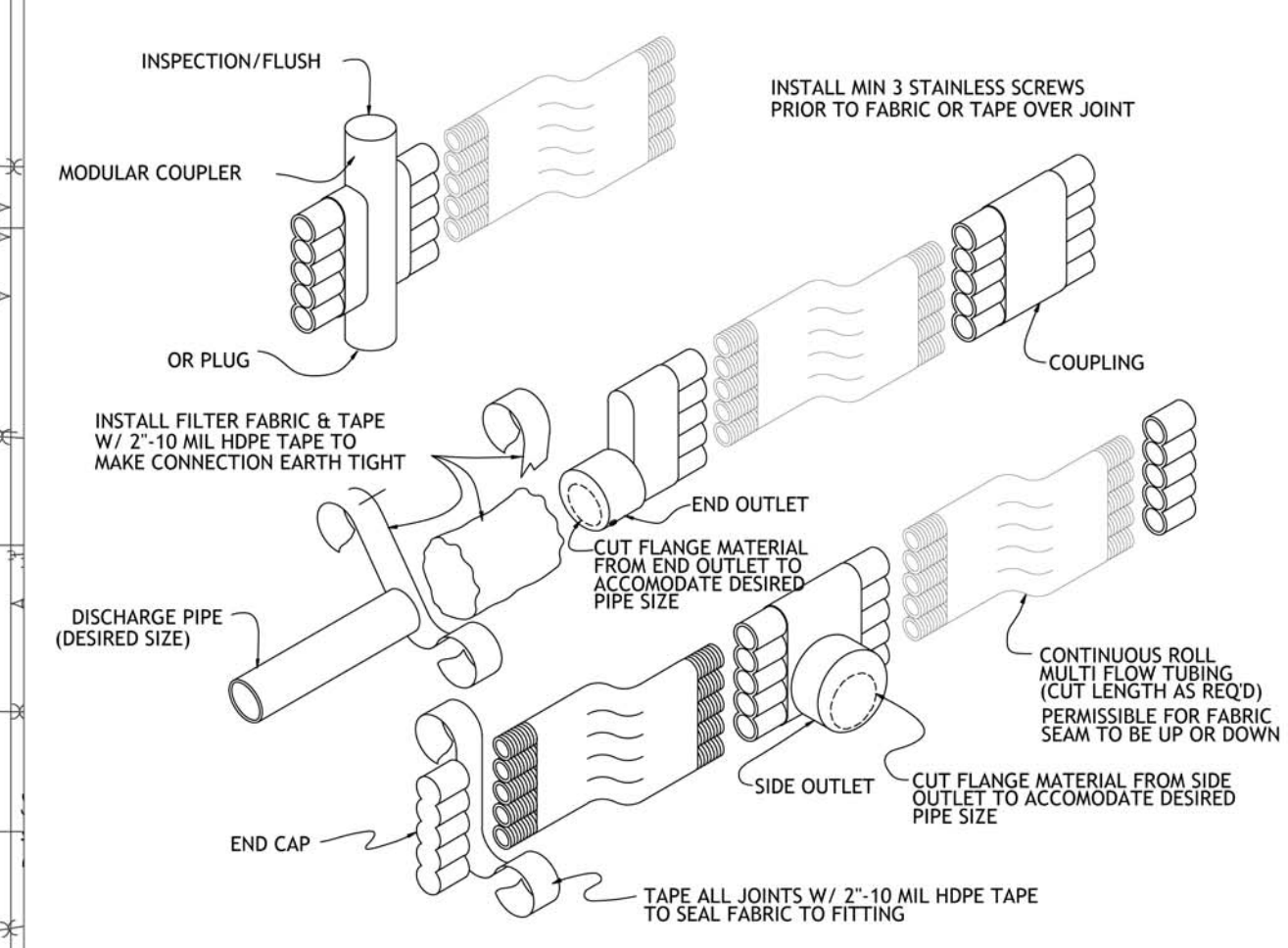


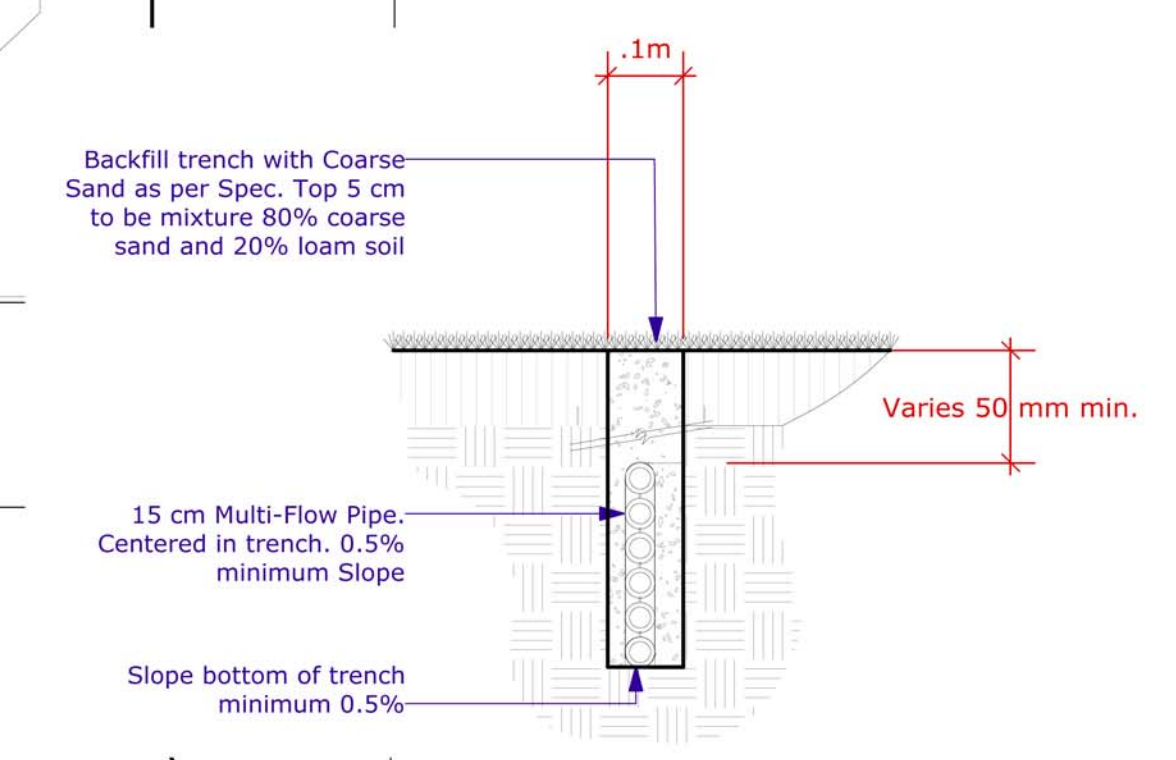
1 Site Grading / Drainage Plan
L-1 Scale: 1:500



2 Landscape Plan
L-1 Scale: 1:500



4 Multi-flo Connection Details
L-1 Scale: 1:5



3 Multi-flo Trench
L-1 Scale: 1:10

General Notes

- All existing trees, sidewalks, curbs, catch basins, culverts, survey markers, to remain are to be protected during construction. Any damage to them is to be made good by the Contractor. Maintain positive drainage into all catch basins and curb inlets.
- All work is to be warranted for a period of not less than 1 year.
- Contractor is to limit operations to the area within the area of work shown on the drawing. Should areas outside of this limit be damaged during the course of construction, Contractor is to make good the damage at his own expense.
- Contractor is to obtain location of all utilities prior to construction. If using power equipment to excavate contractor must notify Hydro and Gas and telephone utilities and take steps to avoid damaging their installations.
- Contractor is advised that the site contains an easement for an oil Pipeline. All work within this easement is to be done with the permission of Imperial Oil.
- All dimensions are in meters unless otherwise noted.
- Spot elevations are to govern over contour information.
- Confirm grades with Contract Administrator after initial grade staking and before proceeding with grading operations. Any deviation from the stated slopes is to be approved by the Contract Administrator prior to construction.
- Contractor is advised that existing grades are given as information only and should be verified on site. Any discrepancies are to be reported to the Contract Administrator.
- All grades shown are FINISH GRADES. Rough grading operations should establish a 'mud' grade sufficiently below finish grade to allow for surface materials. Grading contractor is to establish rough grade within +/- 2.5 cm.

- This drawing shall not be used for construction unless signed and sealed by Landscape Architect.
- Variations and modifications to the work shown will not be allowed without prior written consent of Landscape Architect.
- Drawing and Specifications, as instruments of service, are the property of the Landscape Architect. The copyright is reserved in the name of the Landscape Architect. No reproduction may be made without the prior written consent of the Landscape Architect.
- Contractors/bidders are hereby granted a limited licence to reproduce these drawings for the purposes of bidding. Such reproductions are not to be used for construction.

2 7/02/10 Issued for Addendum #1
No. Date Issue Notes

Digitally signed by
Dean Spearman
Reason: For Tendering
and Permitting
Date: 2010.07.02
14:42:14 -05'00'

Transcona - Kiwanis Park
Site Drainage Improvements

Site Plan