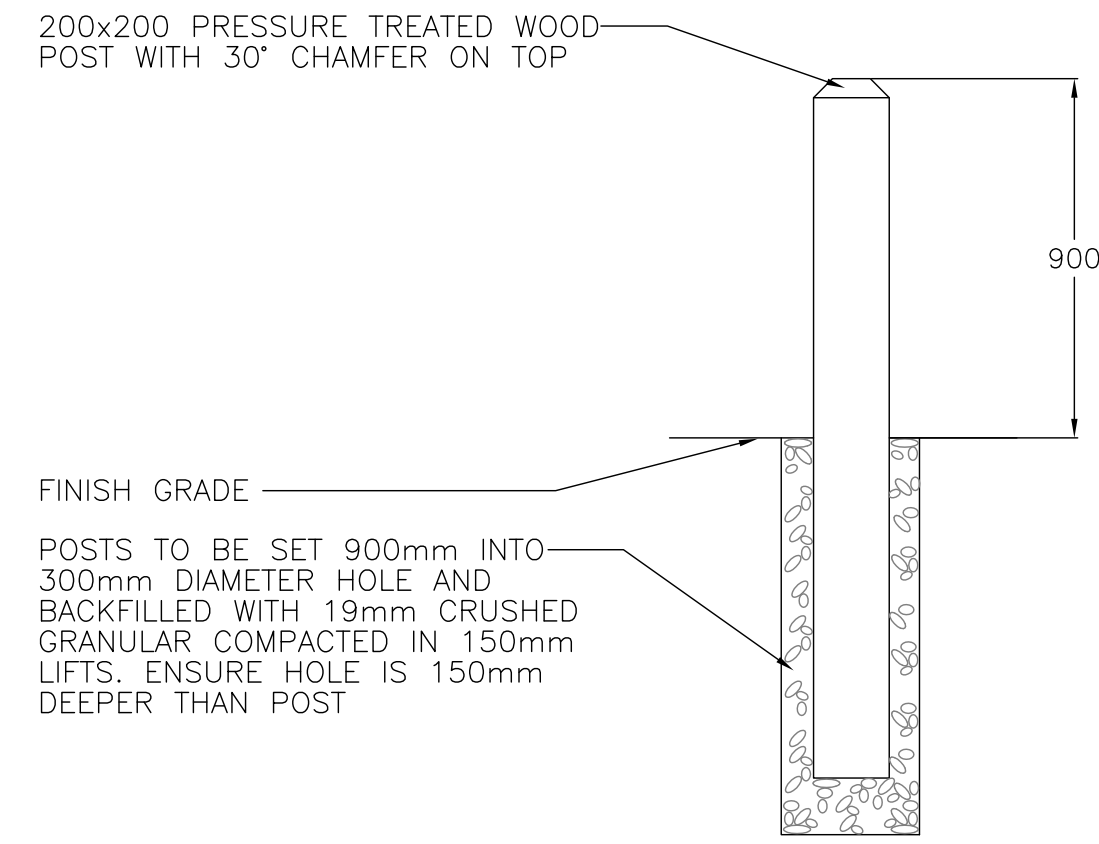
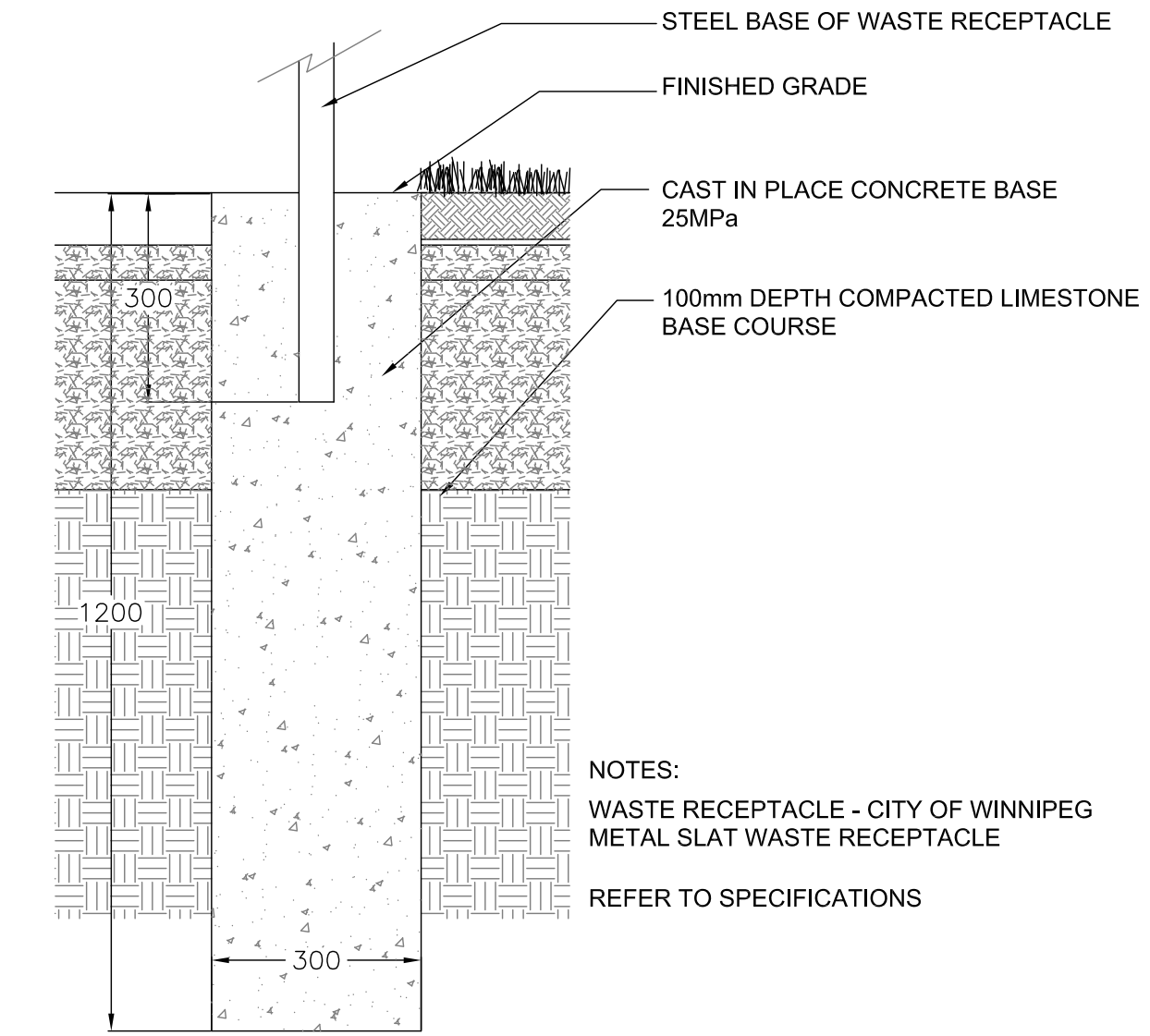


NOTE:
 - GRADE PATHWAY TO DRAIN:
 MAX. 2% CROSS SLOPE
 MAX. 5% LONGITUDINAL SLOPE
 WIDTH 1.8m

1 CRUSHED LIMESTONE PATHWAY
 L2 N.T.S.

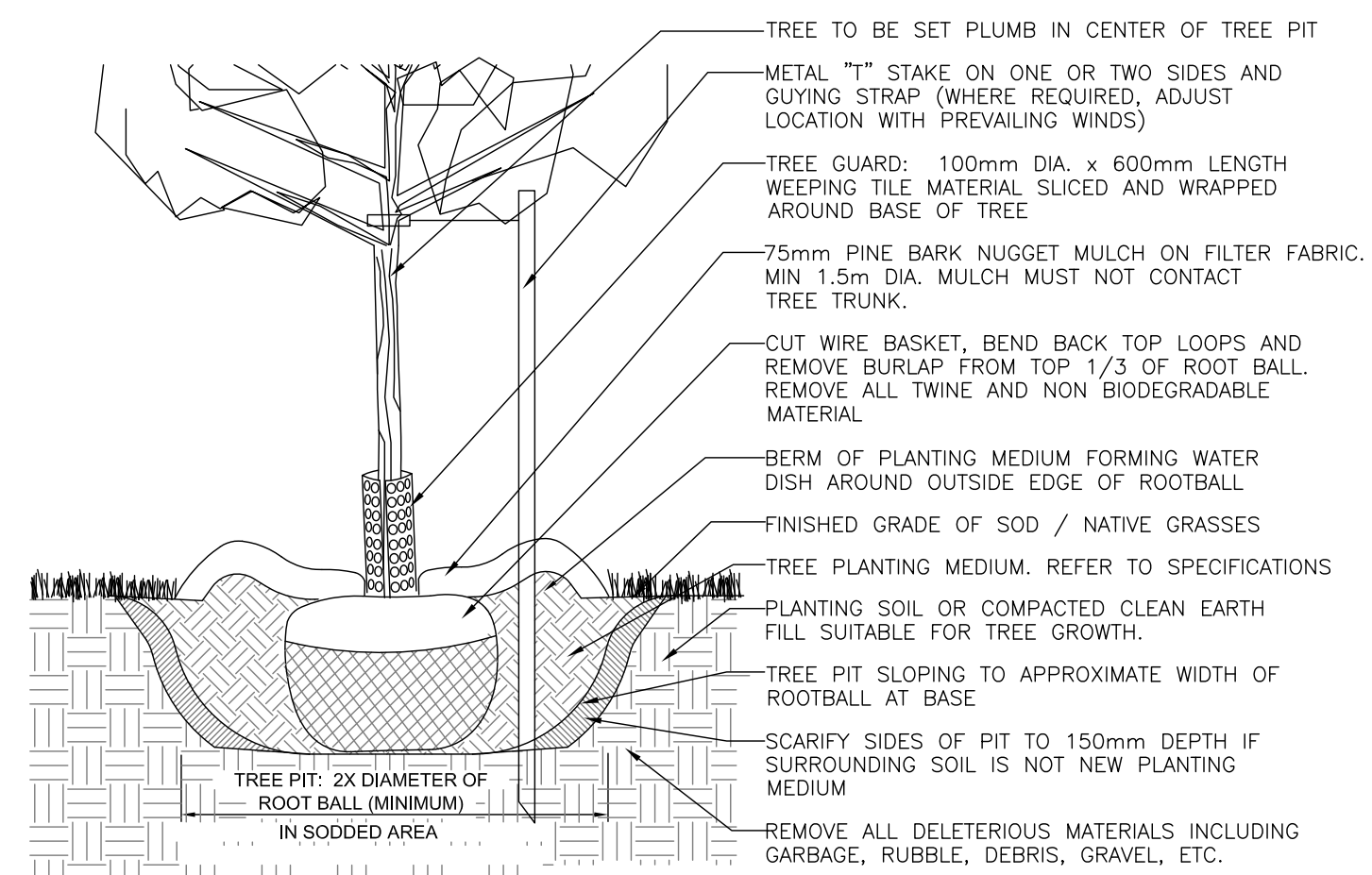


2 WOOD BOLLARD
 L2 N.T.S.



NOTES:
 WASTE RECEPTACLE - CITY OF WINNIPEG
 METAL SLAT WASTE RECEPTACLE
 REFER TO SPECIFICATIONS

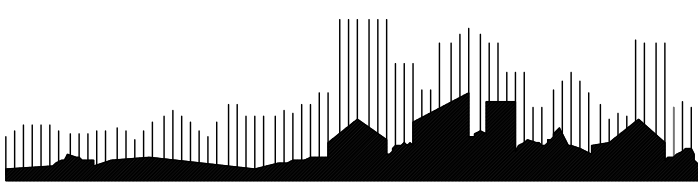
3 WASTE RECEPTACLE BASE
 L2 N.T.S.



IN PAVED AREAS, PLANTING SOIL TO BE FILL AREA OF TREE WELL TO A MINIMUM DEPTH OF 900mm. RED SHREDDED WOOD MULCH ON FILTER FABRIC TO BE FILL AREA OF TREE WELL.

4 TYPICAL DECIDUOUS TREE PLANTING
 L2 N.T.S.

No.	Revisions	Date	By
Date Scale			
06/05/10	N.T.S.		
Designed By	Drawn By	Checked By	
DF	DF	SR	



McGOWAN · RUSSELL
 Client
 CITY OF WINNIPEG

Project Title
ROTARY HERITAGE PARK
 Sheet Title
DETAILS

Project No. 09-009 Drawing No. L3