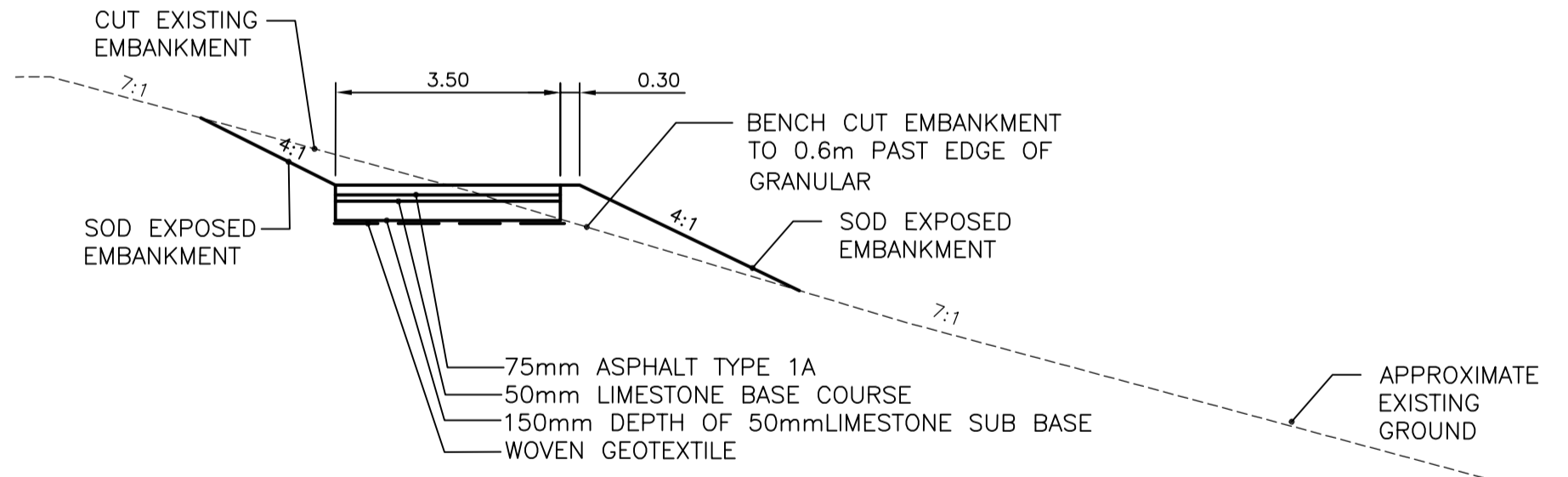


A TYPICAL SECTION
1:100H 1:50V



METRIC
WHOLE NUMBERS INDICATE MILLIMETRES
DECIMALIZED NUMBERS INDICATE METRES

WARNING
IF POWER EQUIPMENT OR EXPLOSIVES ARE TO BE USED FOR EXCAVATION ON THIS PROJECT THE CONTRACTOR MUST:
1) NOTIFY THE GAS COMPANY OF THE PROPOSED LOCATION OF EXCAVATION.
2) TAKE PRECAUTION TO AVOID DAMAGE TO GAS COMPANY INSTALLATIONS.
SEE PROVINCIAL REGULATION 140/92 FOR DETAILS

S. SIDE PACIFIC AVE. BTWN WESTON ST. & MCPHILLIPS ST., TBLT. IN MOST NLY. CONC. FOUNDATION NO. 1140 PACIFIC AVE. (GRACE CONST. PRODUCTS), 1m W. & 1m BELOW TOP OF CONC. FOUNDATION OF MOST N. ELY. COR. OF BLDG.

APEGM
Certificate of Authorization
Stantec Consulting Ltd.
No. 1301 Date: _____

EXISTING	LEGEND-PLAN	PROPOSED	EXISTING	LEGEND-PLAN	PROPOSED
150 WM	WATERMAIN	150 WM	HYDRO	HYDRO	HYDRO
300 LBS	LAND DRAINAGE SEWER	300 LBS	M.T.S.	M.T.S.	M.T.S.
250 WWS	WASTE WATER SEWER	250 WWS	CONCRETE	CONCRETE	CONCRETE
MANHOLE	MANHOLE	MANHOLE	ASPHALT	ASPHALT	ASPHALT
CATCH BASIN	CATCH BASIN	CATCH BASIN	SIDEWALK	SIDEWALK	SIDEWALK
CURB INLET	CURB INLET	CURB INLET	PROPERTY LINE	PROPERTY LINE	PROPERTY LINE
JUNCTIONS	JUNCTIONS	JUNCTIONS	SURVEY BAR	SURVEY BAR	SURVEY BAR
CULVERT	CULVERT	CULVERT	DITCH	DITCH	DITCH
GAS	GAS	GAS	ELEVATION	ELEVATION	ELEVATION
			SIDEWALK RAMP	SIDEWALK RAMP	SIDEWALK RAMP

LOCATION APPROVED UNDERGROUND STRUCTURES

SUPV. U/G STRUCTURES COMMITTEE	DATE

NOTE:
LOCATION OF UNDERGROUND STRUCTURES AS SHOWN ARE BASED ON THE BEST INFORMATION AVAILABLE BUT NO GUARANTEE IS GIVEN THAT ALL EXISTING UTILITIES ARE SHOWN OR THAT THE GIVEN LOCATIONS ARE EXACT. CONFIRMATION OF EXISTENCE AND EXACT LOCATION OF ALL SERVICES MUST BE OBTAINED FROM THE INDIVIDUAL UTILITIES BEFORE PROCEEDING WITH CONSTRUCTION.

B.M. 36-035
ELEV. 232.873m

NO.	REVISIONS	DATE	BY
2	ADDENDUM #3	10.05.10	W.K.B.
1	ISSUED FOR TENDER	10.06.01	W.K.B.
0	ISSUED FOR REVIEW	10.0X.XX	W.K.B.

Stantec Consulting Ltd.
905 Waverley Street, Winnipeg, Manitoba
Tel 204-489-5900 Fax 204-453-9012

DESIGNED BY	W.K.B.	CHECKED BY	W.K.B.
DRAWN BY	R.P.V.	APPROVED BY	W.K.B.
HOR. SCALE:	1:250	RELEASED FOR CONSTRUCTION:	
VERTICAL:	N/A	DATE	10.02.08

ENGINEER'S SEAL
PROVINCE OF MANITOBA
W.K. BYCZEK
REGISTERED PROFESSIONAL ENGINEER
CONSULTANT DRAWING NO.
C-107

THE CITY OF WINNIPEG
PUBLIC WORKS DEPARTMENT
ENGINEERING DIVISION

2010 AT INFRASTRUCTURE STIMULUS PROGRAM
ALEXANDER/PACIFIC BIKEWAY
1155 PACIFIC AVENUE BIKEWAY
FROM WINKS STREET TO PRIVATE SURFACE PARKING LOT

SHEET OF
8 OF **14**
CAD FILE DRAWING NUMBER
05260c-101-XXX.dwg
CITY DRAWING NUMBER
W375-08

V:\1137\pave\1137050\drawing\02_design\shelc\05040c-101-xxx.dwg
2010-08-15 10:11AM By: tjg