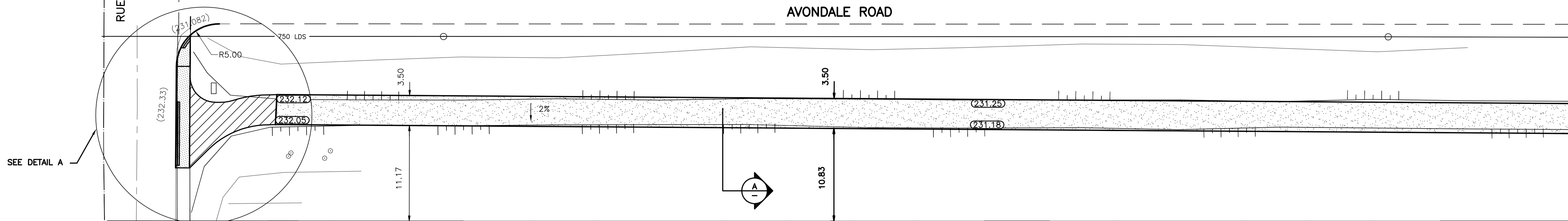


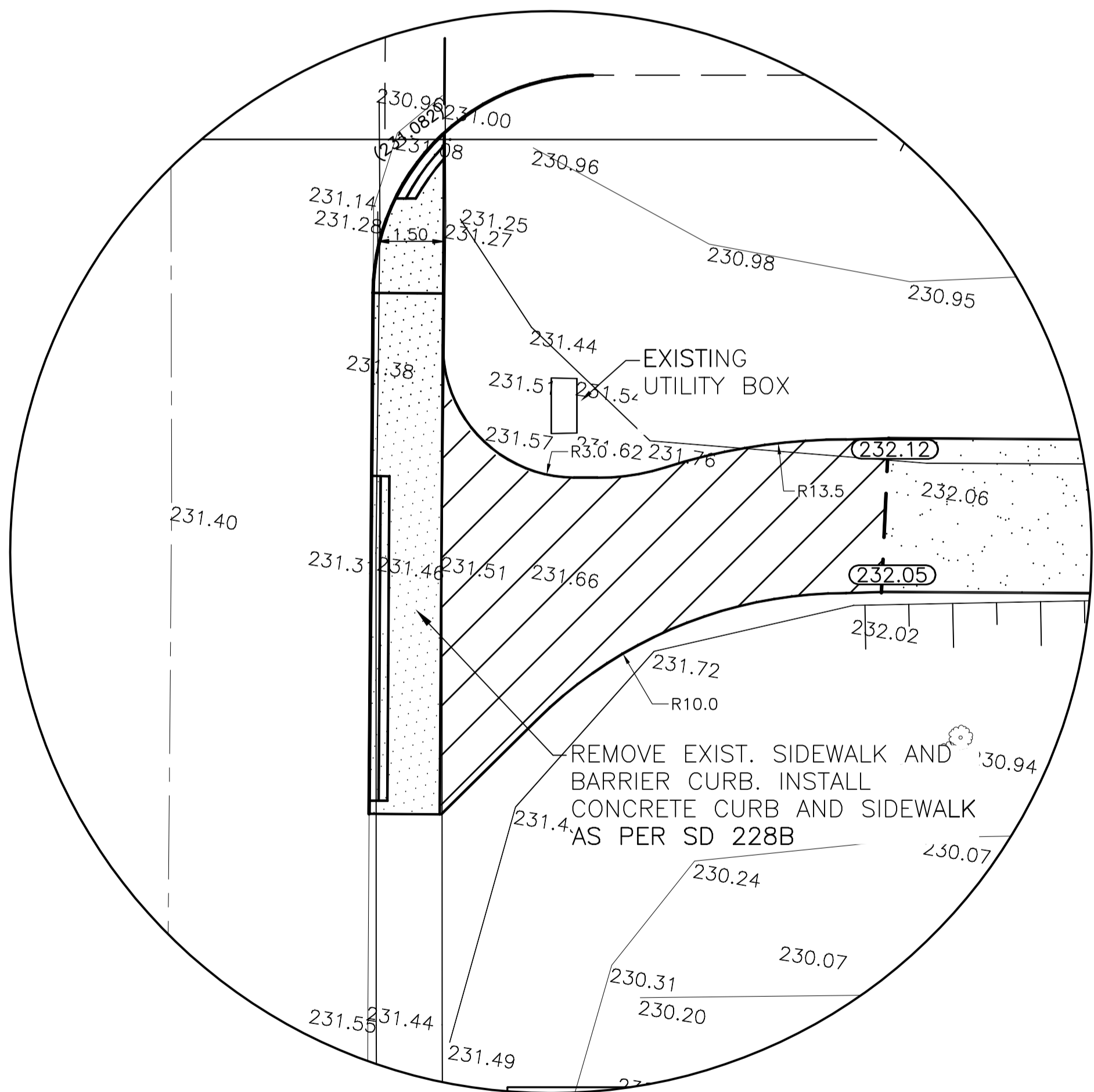
150 WM
RUE DES MEURONS AVENUE

AVONDALE ROAD

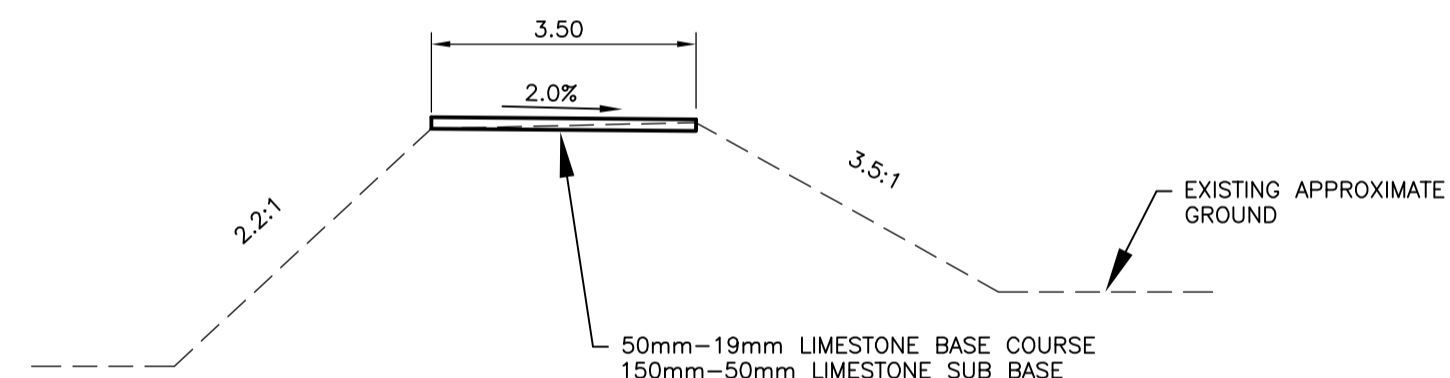


MATCHLINE B-B
FOR CONTINUATION SEE DWG. C-402

MATCHLINE C-C
FOR CONTINUATION SEE DWG. C-403



DETAIL A
SCALE: 1:100

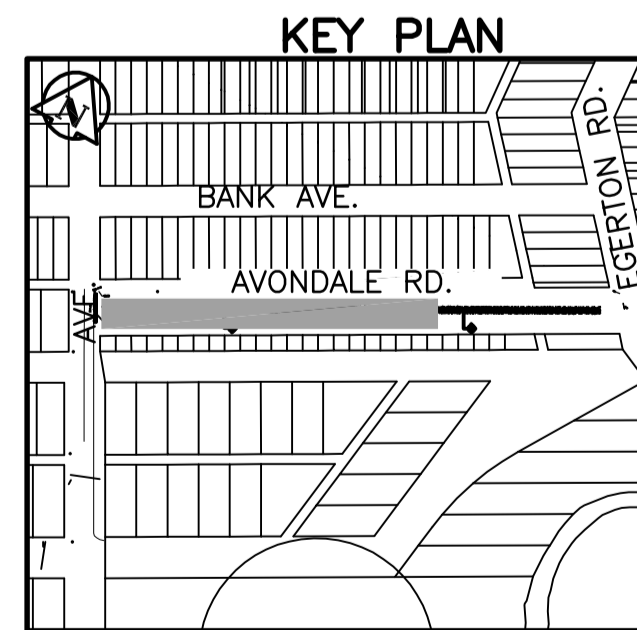


A TYPICAL SECTION
1:100H 1:50V

METRIC
WHOLE NUMBERS INDICATE MILLIMETRES
DECIMALIZED NUMBERS INDICATE METRES

WARNING
IF POWER EQUIPMENT OR EXPLOSIVES ARE TO BE USED FOR EXCAVATION ON THIS PROJECT THE CONTRACTOR MUST:
1) NOTIFY THE GAS COMPANY OF THE PROPOSED LOCATION OF EXCAVATION.
2) TAKE PRECAUTION TO AVOID DAMAGE TO GAS COMPANY INSTALLATIONS.
SEE PROVINCIAL REGULATION 140/92 FOR DETAILS

APEGM
Certificate of Authorization
Stantec Consulting Ltd.
No. 1301 Date: _____



N.E. COR. HANDYSIDE AVE. & EGERTON RD., 19mm DIA.x4.6M I.B. IN VALVE BOX, 3.0m S. OF N. L. OF HANDYSIDE AVE. ALONG E.L. OF EGERTON RD.

150 WM	WATERMAIN	150 WM	HYDRO	HYDRO
⊕	HYDRANT	⊕	M.T.S.	
⊙	VALVE	⊙	CONCRETE	
---	LAND DRAINAGE SEWER	---	ASPHALT	
---	WASTE WATER SEWER	---	SIDEWALK	
○	MANHOLE	○	PROPERTY LINE	
□	CATCH BASIN	□	SURVEY BAR	
▽	CURB INLET	▽	DITCH	
+	JUNCTIONS	+	ELEVATION	(32.25)
---	CULVERT	---	SIDEWALK RAMP	
---	GAS	---	GRANULAR	
---	EXISTING LEGEND-PLAN	---	PROPOSED LEGEND-PLAN	---

LOCATION APPROVED UNDERGROUND STRUCTURES	
SUPV. U/G STRUCTURES COMMITTEE	DATE
NOTE: LOCATION OF UNDERGROUND STRUCTURES AS SHOWN ARE BASED ON THE BEST INFORMATION AVAILABLE BUT NO GUARANTEE IS GIVEN THAT ALL EXISTING UTILITIES ARE SHOWN OR THAT THE GIVEN LOCATIONS ARE EXACT. CONFIRMATION OF EXISTENCE AND EXACT LOCATION OF ALL SERVICES MUST BE OBTAINED FROM THE INDIVIDUAL UTILITIES BEFORE PROCEEDING WITH CONSTRUCTION.	

B.M. 54-017 ELEV.	
2	ADDENDUM #3 10.05.10 W.K.B.
1	ISSUED FOR TENDER 10.06.01 W.K.B.
0	ISSUED FOR REVIEW 10.0X.XX W.K.B.
NO. REVISIONS	DATE BY

Stantec Consulting Ltd.
905 Waverley Street, Winnipeg, Manitoba
Tel 204-489-5900 Fax 204-453-9012

DESIGNED BY	W.K.B.	CHECKED BY	W.K.B.
DRAWN BY	R.P.V.	APPROVED BY	W.K.B.
HOR. SCALE:	1:250H	RELEASED FOR CONSTRUCTION:	
VERTICAL:	N/A	DATE	10.02.08

ENGINEER'S SEAL
PROVINCE OF MANITOBA
W.K. BYCZEK
REGISTERED PROFESSIONAL ENGINEER
CONSULTANT DRAWING NO.
C-112

THE CITY OF WINNIPEG
PUBLIC WORKS DEPARTMENT
ENGINEERING DIVISION

2010 AT INFRASTRUCTURE STIMULUS PROGRAM
EUGENIE/DES MEURONS BIKEWAY
BIKEWAY ON EARTH EMBANKMENT
BETWEEN RUE DES MEURONS TO EGERTON ROAD

SHEET 13 OF 14
CAD FILE DRAWING NUMBER 05260c-110-xxx
CITY DRAWING NUMBER W-375-13

V:\137\p\win\13705260\winning\wg3_05260c-110-xxx.dwg 2010-08-15 10:34AM By: tjg