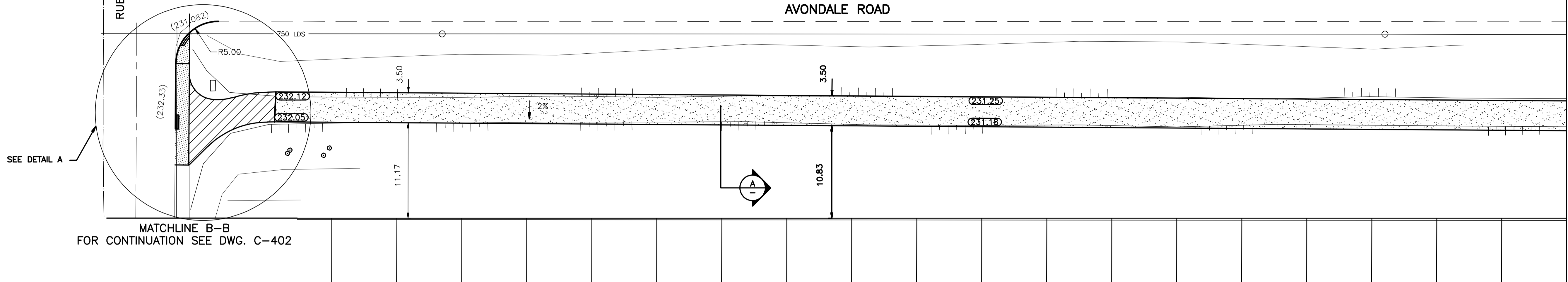


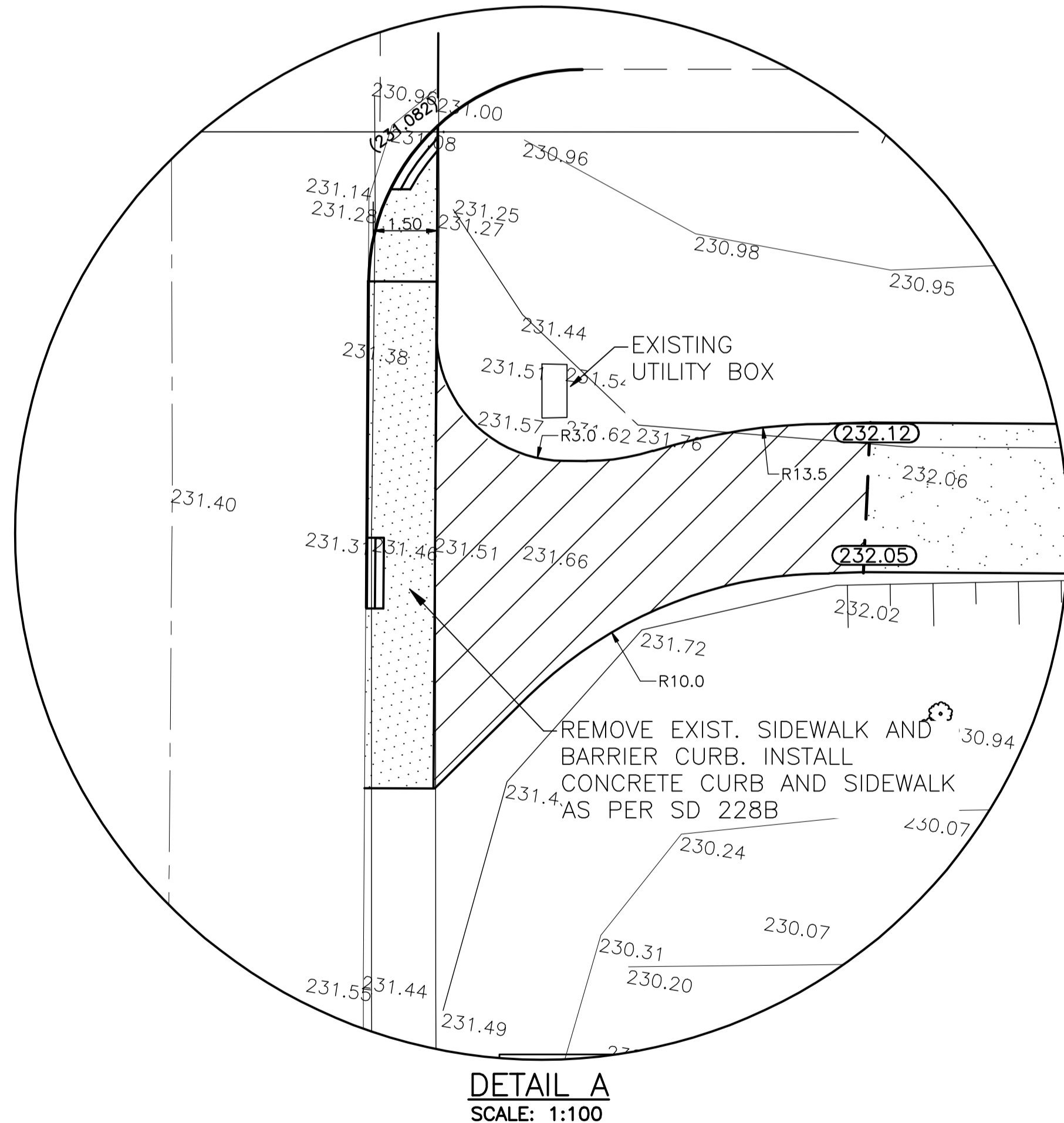
RUE DES MEURONS AVENUE

AVONDALE ROAD

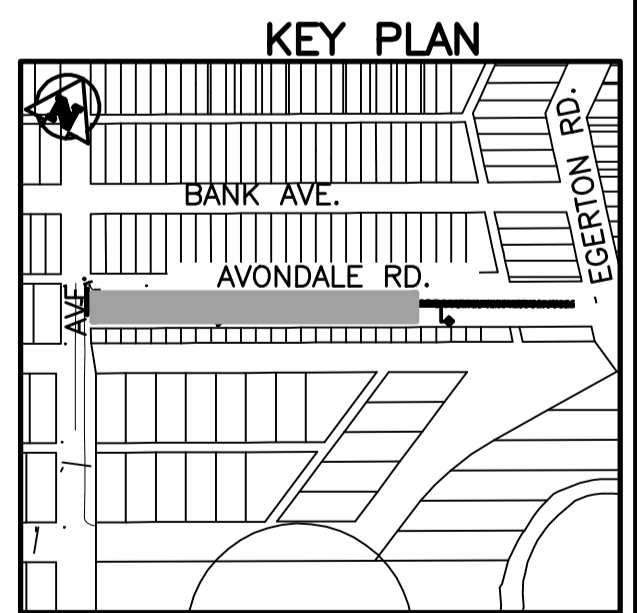
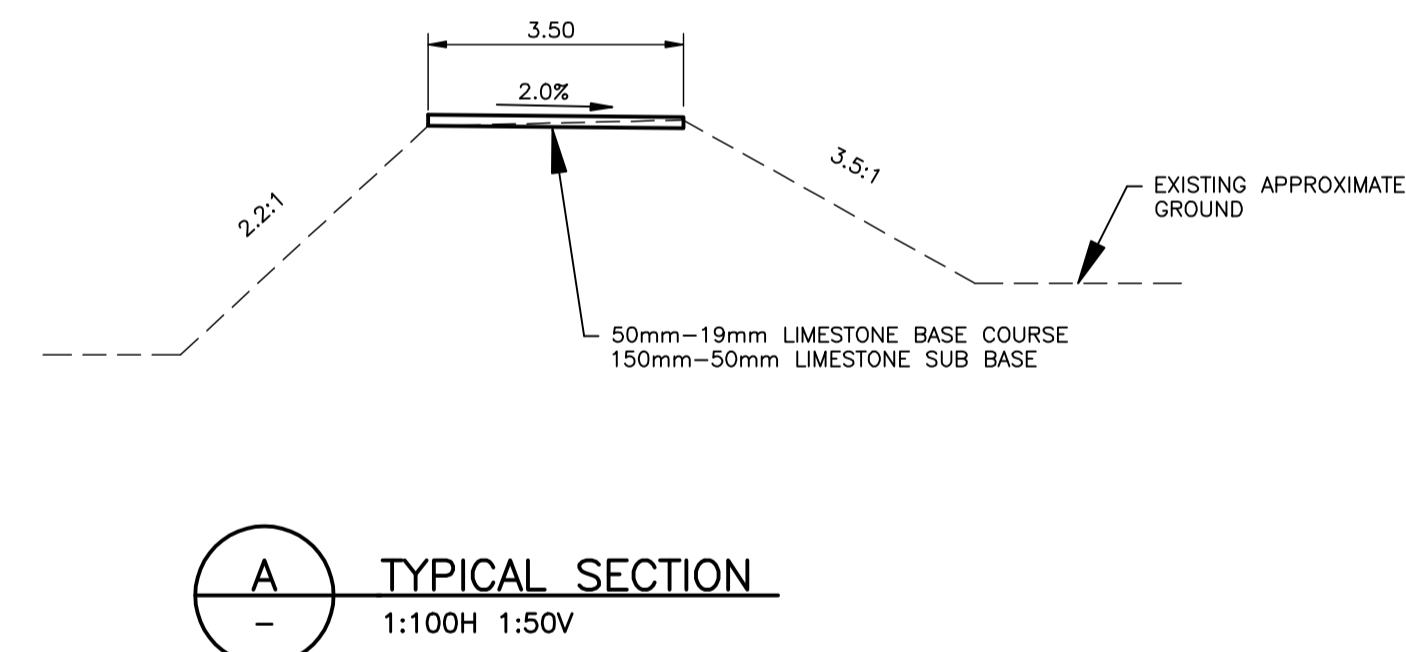


MATCHLINE B-B FOR CONTINUATION SEE DWG. C-402

MATCHLINE C-C FOR CONTINUATION SEE DWG. C-403



DETAIL A SCALE: 1:100



METRIC
WHOLE NUMBERS INDICATE MILLIMETRES
DECIMALIZED NUMBERS INDICATE METRES

WARNING

IF POWER EQUIPMENT OR EXPLOSIVES ARE TO BE USED FOR EXCAVATION ON THIS PROJECT THE CONTRACTOR MUST:
1) NOTIFY THE GAS COMPANY OF THE PROPOSED LOCATION OF EXCAVATION.
2) TAKE PRECAUTION TO AVOID DAMAGE TO GAS COMPANY INSTALLATIONS.
SEE PROVINCIAL REGULATION 140/92 FOR DETAILS

N.E. COR. HANDYSIDE AVE. & EGERTON RD., 19mm DIA.x4.6M I.B. IN VALVE BOX, 3.0m S. OF N. L. OF HANDYSIDE AVE. ALONG E.L. OF EGERTON RD.

150 MM	WATERMAIN	150 MM	HYDRO	LEGEND-PLAN	PROPOSED	EXISTING	LEGEND-PLAN	PROPOSED
⊕	HYDRANT	⊕	M.T.S.	---	---	---	---	---
⊕	VALVE	⊕	CONCRETE	▨	▨	▨	▨	▨
300 LDS	LAND DRAINAGE SEWER	300 LDS	ASPHALT	▨	▨	▨	▨	▨
250 WWS	WASTE WATER SEWER	250 WWS	SIDEWALK	▨	▨	▨	▨	▨
○	MANHOLE	●	PROPERTY LINE	---	---	---	---	---
□	CATCH BASIN	⊕	SURVEY BAR	+	+	+	+	+
▽	CURB INLET	▽	DITCH	---	---	---	---	---
+	JUNCTIONS	+	ELEVATION	(31.334)	(32.231)	(31.334)	(32.231)	(32.231)
▨	CULVERT	▨	SIDEWALK RAMP	▨	▨	▨	▨	▨
▨	GAS	▨	GRANULAR	▨	▨	▨	▨	▨
▨	EXISTING	▨	LEGEND-PLAN	---	---	---	---	---
▨	PROPOSED	▨	LEGEND-PLAN	---	---	---	---	---

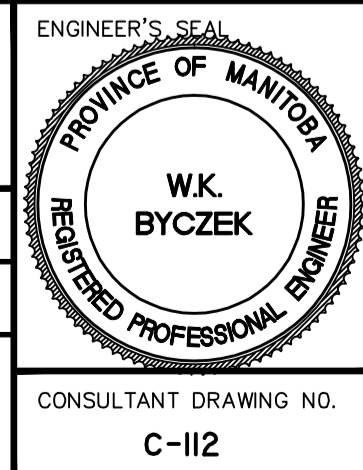
LOCATION APPROVED UNDERGROUND STRUCTURES

SUPV. U/G STRUCTURES COMMITTEE DATE
NOTE:
LOCATION OF UNDERGROUND STRUCTURES AS SHOWN ARE BASED ON THE BEST INFORMATION AVAILABLE BUT NO GUARANTEE IS GIVEN THAT ALL EXISTING UTILITIES ARE SHOWN OR THAT THE GIVEN LOCATIONS ARE EXACT. CONFIRMATION OF EXISTENCE AND EXACT LOCATION OF ALL SERVICES MUST BE OBTAINED FROM THE INDIVIDUAL UTILITIES BEFORE PROCEEDING WITH CONSTRUCTION.

B.M. 54-017 ELEV.		NO.		REVISIONS	
0	ISSUED FOR REVIEW	10.0X.XX	W.K.B.	DATE	10.02.08

Stantec Consulting Ltd.
905 Waverley Street, Winnipeg, Manitoba
Tel 204-489-5900 Fax 204-453-9012

DESIGNED BY	W.K.B.	CHECKED BY	W.K.B.
DRAWN BY	R.P.V.	APPROVED BY	W.K.B.
HOR. SCALE:	1:250H	RELEASED FOR CONSTRUCTION:	
VERTICAL:	N/A	DATE	10.02.08



THE CITY OF WINNIPEG
PUBLIC WORKS DEPARTMENT
ENGINEERING DIVISION

2010 AT INFRASTRUCTURE STIMULUS PROGRAM
EUGENIE/DES MEURONS BIKEWAY
BIKEWAY ON EARTH EMBANKMENT
BETWEEN RUE DES MEURONS TO EGERTON ROAD

SHEET 13 OF 14
CAD FILE DRAWING NUMBER 05260c-110-xxx
CITY DRAWING NUMBER W-375-13

V:\117\winnipeg\1170260\winnipeg\02_dwg\dwg\contract_3\05260c-110-xxx.dwg
2010-09-10 02:46PM By: j.fimiller