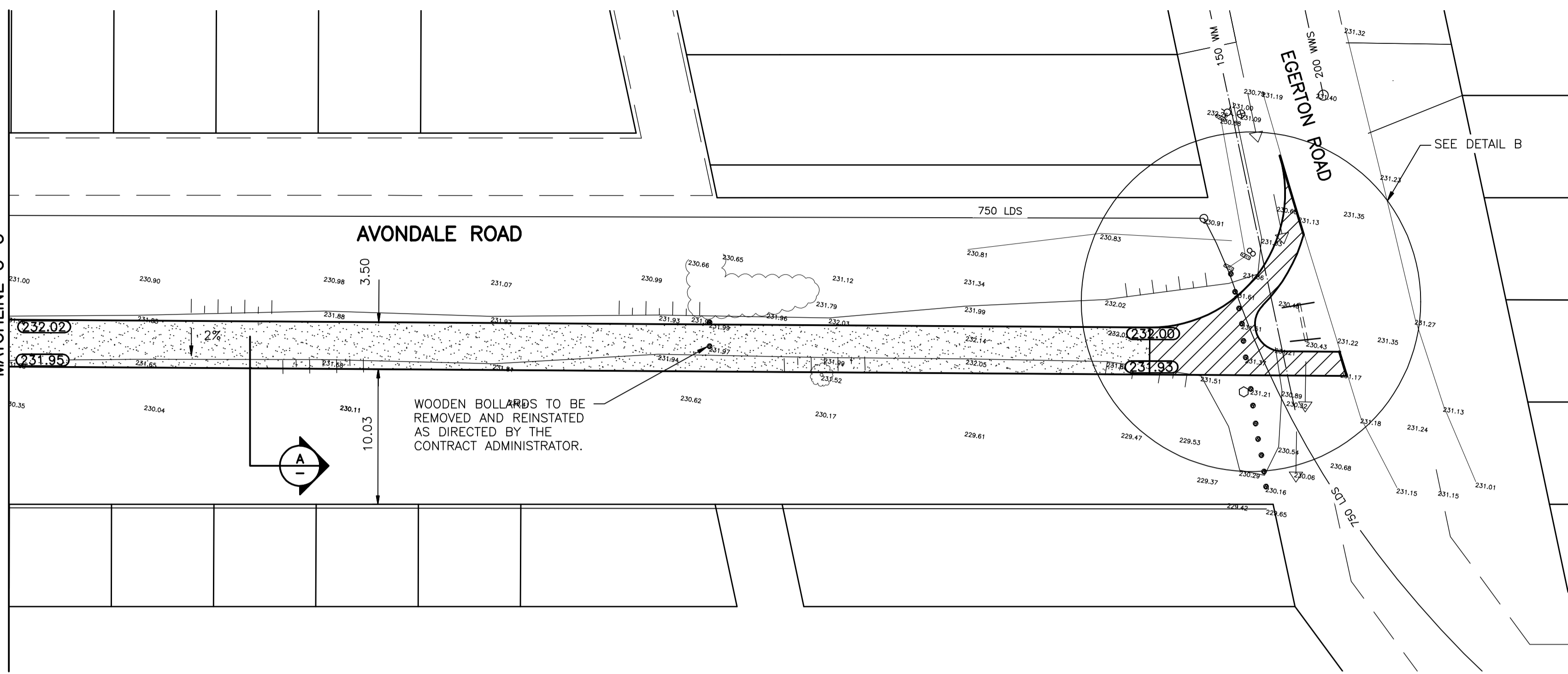
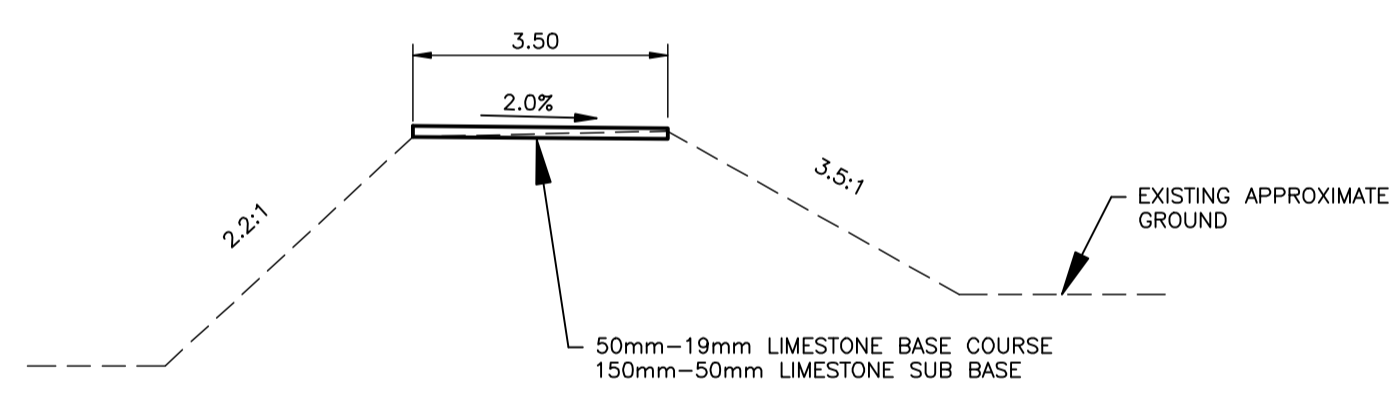


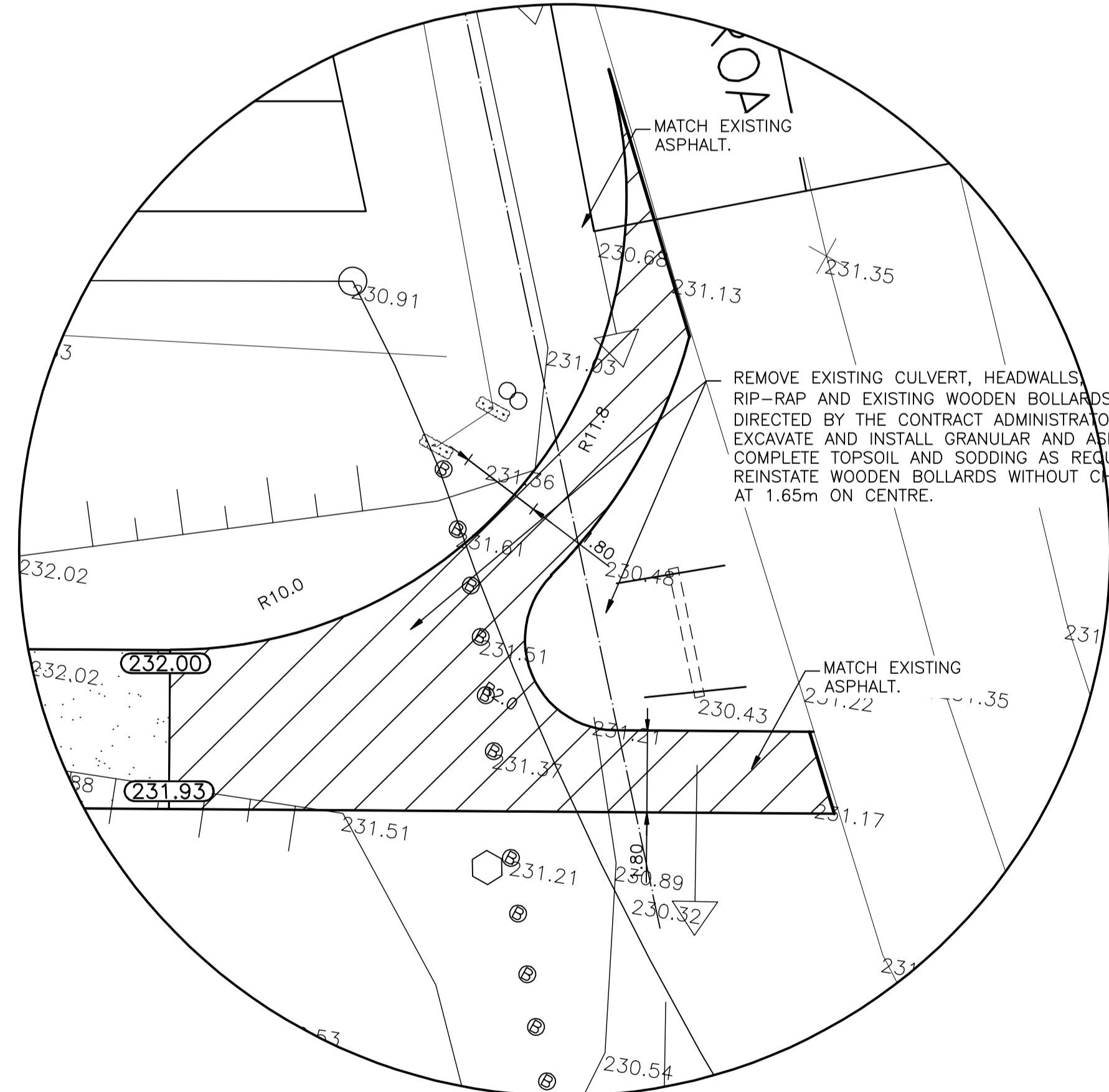
FOR CONTINUATION SEE DWG. C-403
MATCHLINE C-C



WOODEN BOLLARDS TO BE REMOVED AND REINSTATED AS DIRECTED BY THE CONTRACT ADMINISTRATOR.



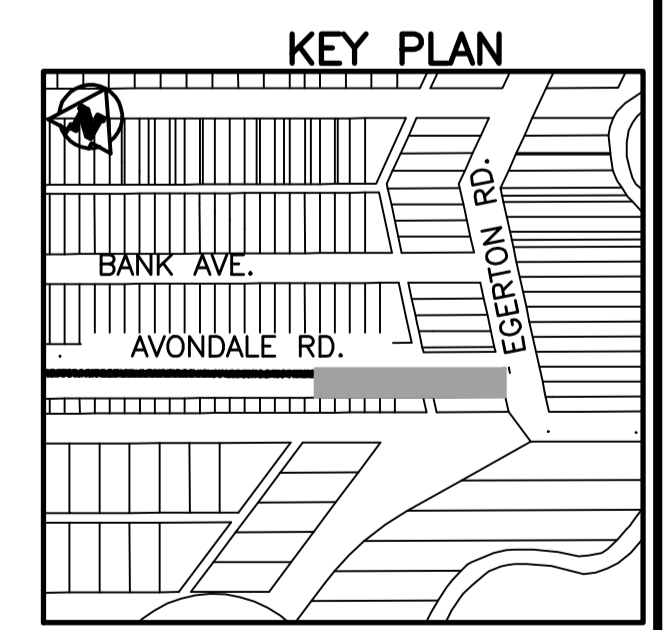
A TYPICAL SECTION
1:100H 1:50V



B DETAIL B
SCALE: 1:100

N.E. COR. HANDYSIDE AVE. & EGERTON RD., 19mm DIA.x4.6M I.B. IN VALVE BOX, 3.0m S. OF N. L. OF HANDYSIDE AVE. ALONG E.L. OF EGERTON RD.

APEGM
Certificate of Authorization
Stantec Consulting Ltd.
No. 1301 Date: _____



METRIC
WHOLE NUMBERS INDICATE MILLIMETRES
DECIMALIZED NUMBERS INDICATE METRES

WARNING
IF POWER EQUIPMENT OR EXPLOSIVES ARE TO BE USED FOR EXCAVATION ON THIS PROJECT THE CONTRACTOR MUST:
1) NOTIFY THE GAS COMPANY OF THE PROPOSED LOCATION OF EXCAVATION.
2) TAKE PRECAUTION TO AVOID DAMAGE TO GAS COMPANY INSTALLATIONS.
SEE PROVINCIAL REGULATION 140/92 FOR DETAILS

EXISTING	LEGEND-PLAN	PROPOSED	EXISTING	LEGEND-PLAN	PROPOSED
150 WM	WATERMAIN	150 WM	HYDRO		
HYDRANT		HYDRANT	M.T.S.		
VALVE		VALVE	CONCRETE		
300 LDS	LAND DRAINAGE SEWER	300 LDS	ASPHALT		
250 WWS	WASTE WATER SEWER	250 WWS	SIDEWALK		
MANHOLE		MANHOLE	PROPERTY LINE		
CATCH BASIN		CATCH BASIN	SURVEY BAR		
CURB INLET		CURB INLET	DITCH		
JUNCTIONS		JUNCTIONS	ELEVATION	(32.231)	
CULVERT		CULVERT	SIDEWALK RAMP		
GAS		GAS	GRANULAR		

LOCATION APPROVED UNDERGROUND STRUCTURES
SUPV. U/G STRUCTURES DATE COMMITTEE
NOTE:
LOCATION OF UNDERGROUND STRUCTURES AS SHOWN ARE BASED ON THE BEST INFORMATION AVAILABLE BUT NO GUARANTEE IS GIVEN THAT ALL EXISTING UTILITIES ARE SHOWN OR THAT THE GIVEN LOCATIONS ARE EXACT. CONFIRMATION OF EXISTENCE AND EXACT LOCATION OF ALL SERVICES MUST BE OBTAINED FROM THE INDIVIDUAL UTILITIES BEFORE PROCEEDING WITH CONSTRUCTION.

NO.	REVISIONS	DATE	BY
0	ISSUED FOR REVIEW	10.0X.XX	W.K.B.

Stantec Consulting Ltd.
905 Waverley Street, Winnipeg, Manitoba
Tel 204-489-5900 Fax 204-453-9012

DESIGNED BY: W.K.B. CHECKED BY: W.K.B.
DRAWN BY: R.P.V. APPROVED BY: W.K.B.

HOR. SCALE: 1:250H
VERTICAL: N/A

RELEASED FOR CONSTRUCTION: _____
DATE: 10.02.08



THE CITY OF WINNIPEG
PUBLIC WORKS DEPARTMENT
ENGINEERING DIVISION

2010 AT INFRASTRUCTURE STIMULUS PROGRAM
EUGENIE/DES MEURONS BIKEWAY
BIKEWAY ON EARTH EMBANKMENT
BETWEEN RUE DES MEURONS TO EGERTON ROAD

SHEET 14 OF 14
CAD FILE DRAWING NUMBER 05260c-110-xxx
CITY DRAWING NUMBER W-375-14

V:\117\winn\11702660\winn\w02_dwg\plan\c-403.dwg
2010-09-10 10:42PM By: j.fimiller