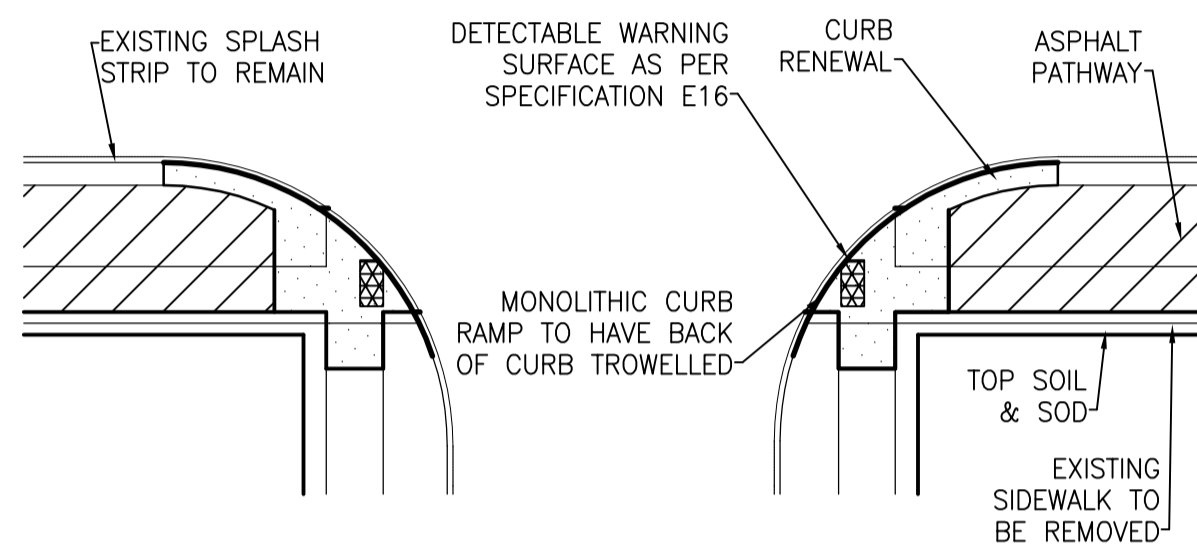
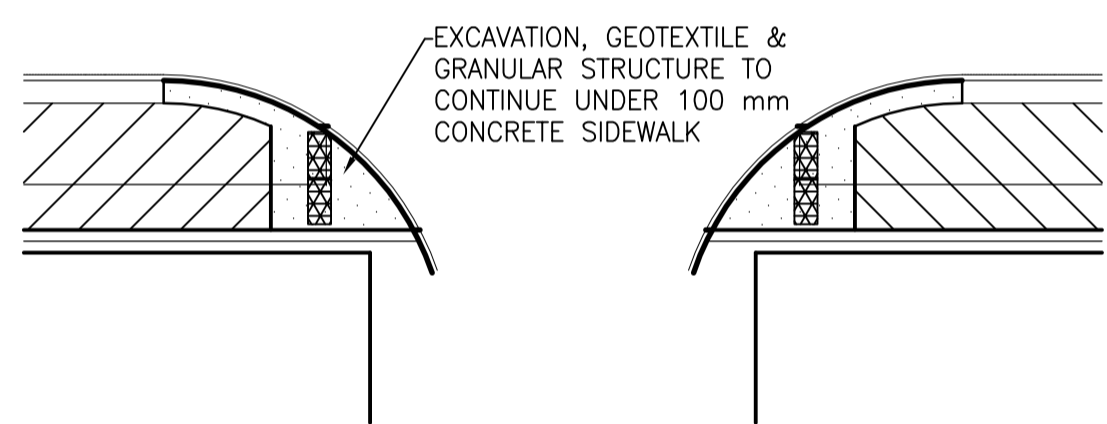


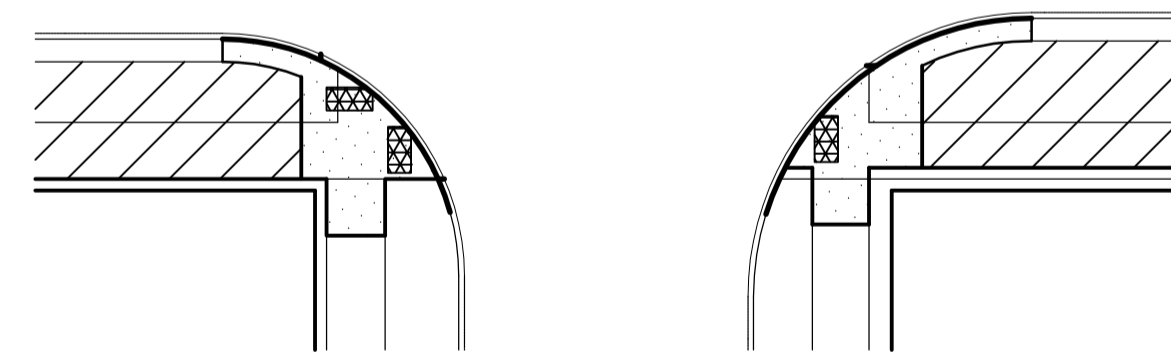
**A SECTION AT STA 3+130**  
1:50H 1:50V



**TYPICAL 2.74m CURB RAMP CROSSING WITH ONE TILE**  
SCALE: 1:200



**TYPICAL 2.74m CURB RAMP CROSSING WITH TWO TILES**  
SCALE: 1:200



**TYPICAL 2.74m CURB RAMP BI-DIRECTIONAL CROSSING**  
SCALE: 1:200

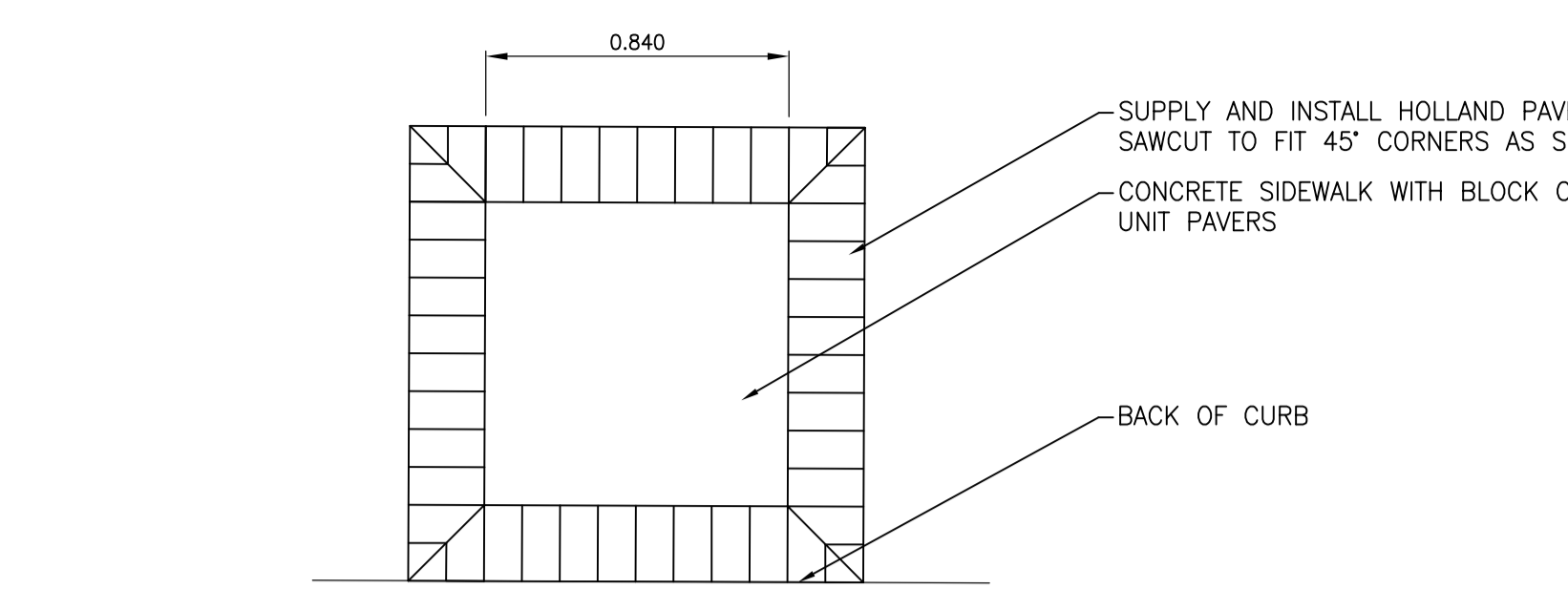
**WARNING**

IF POWER EQUIPMENT OR EXPLOSIVES ARE TO BE USED FOR EXCAVATION ON THIS PROJECT THE CONTRACTOR MUST:  
1) NOTIFY THE GAS COMPANY OF THE PROPOSED LOCATION OF EXCAVATION.  
2) TAKE PRECAUTION TO AVOID DAMAGE TO GAS COMPANY INSTALLATIONS.  
SEE PROVINCIAL REGULATION 140/92 FOR DETAILS

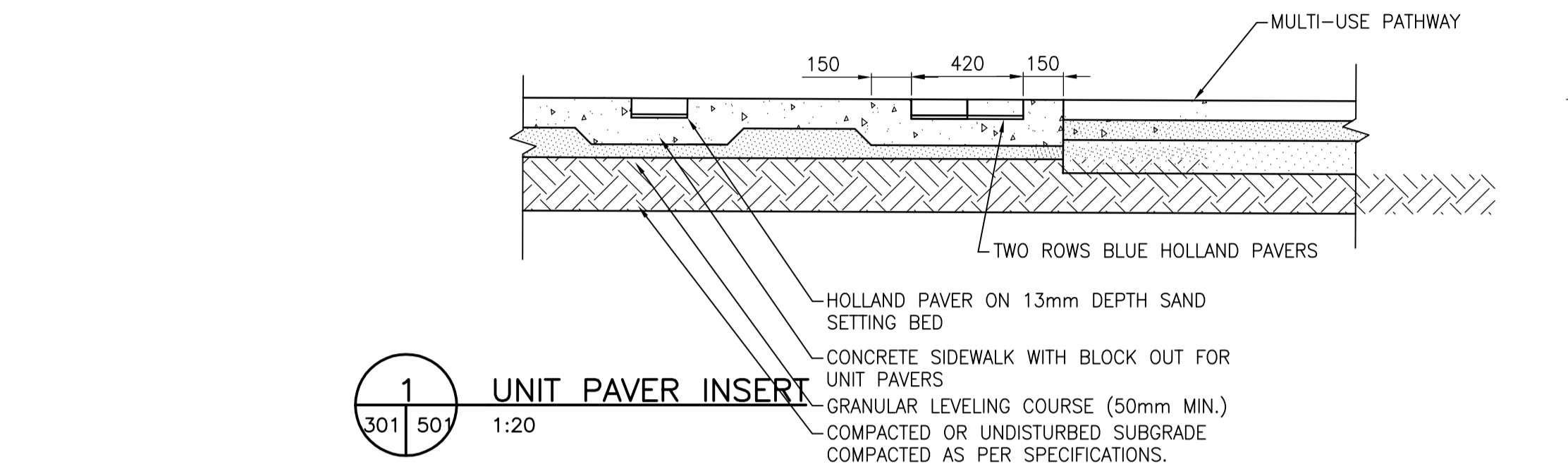
**METRIC**

WHOLE NUMBERS INDICATE MILLIMETRES  
DECIMALIZED NUMBERS INDICATE METRES

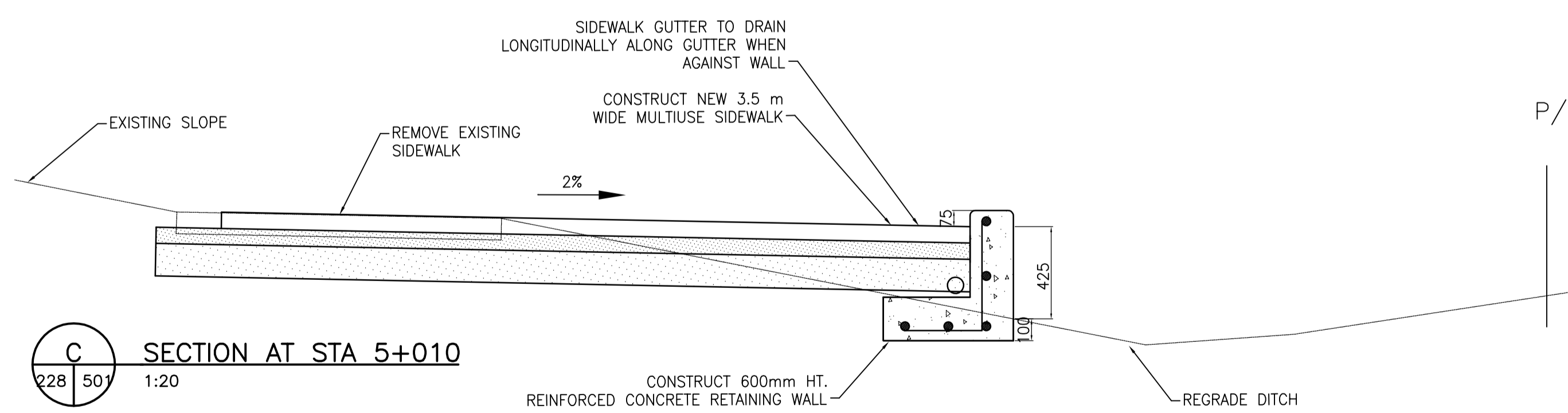
EXISTING	LEGEND-PLAN	PROPOSED	EXISTING	LEGEND-PLAN	PROPOSED	EXISTING	LEGEND-PROFILE	PROPOSED
150 WM	WATERMAIN	150 WM	HYDRO	150 WM	WATERMAIN	150 WM	WATERMAIN	150 WM
300 LDS	LAND DRAINAGE SEWER	300 LDS	M.T.S.	300 LDS	LAND DRAINAGE SEWER	300 LDS	HYDRANT, VALVE	300 LDS
250 WWS	WASTE WATER SEWER	250 WWS	CONCRETE	250 WWS	WASTE WATER SEWER	250 WWS	CONCRETE	250 WWS
○	MANHOLE	●	SIDWALK - ASPHALT	○	WASTE WATER SEWER	○	SIDWALK - ASPHALT	○
□	CATCH BASIN	■	SIDWALK - CONCRETE	□	WASTE WATER SEWER	□	SIDWALK - CONCRETE	□
▽	CURB INLET	⊕	SIDWALK - REMOVAL	▽	WASTE WATER SEWER	▽	SIDWALK - REMOVAL	▽
+	JUNCTIONS	+	PROPERTY LINE	+	WASTE WATER SEWER	+	PROPERTY LINE	+
≡≡≡	CULVERT	≡≡≡	SURVEY BAR	≡≡≡	WASTE WATER SEWER	≡≡≡	SURVEY BAR	≡≡≡
---	GAS	---	DITCH	---	WASTE WATER SEWER	---	DITCH	---
---	LEGEND-PLAN	---	ELEVATION	---	WASTE WATER SEWER	---	ELEVATION	---
---	PROPOSED	---	SIDWALK RAMP	---	WASTE WATER SEWER	---	SIDWALK RAMP	---
---	EXISTING	---	LEGEND-PLAN	---	WASTE WATER SEWER	---	LEGEND-PLAN	---
---	PROPOSED	---	PROPOSED	---	WASTE WATER SEWER	---	PROPOSED	---



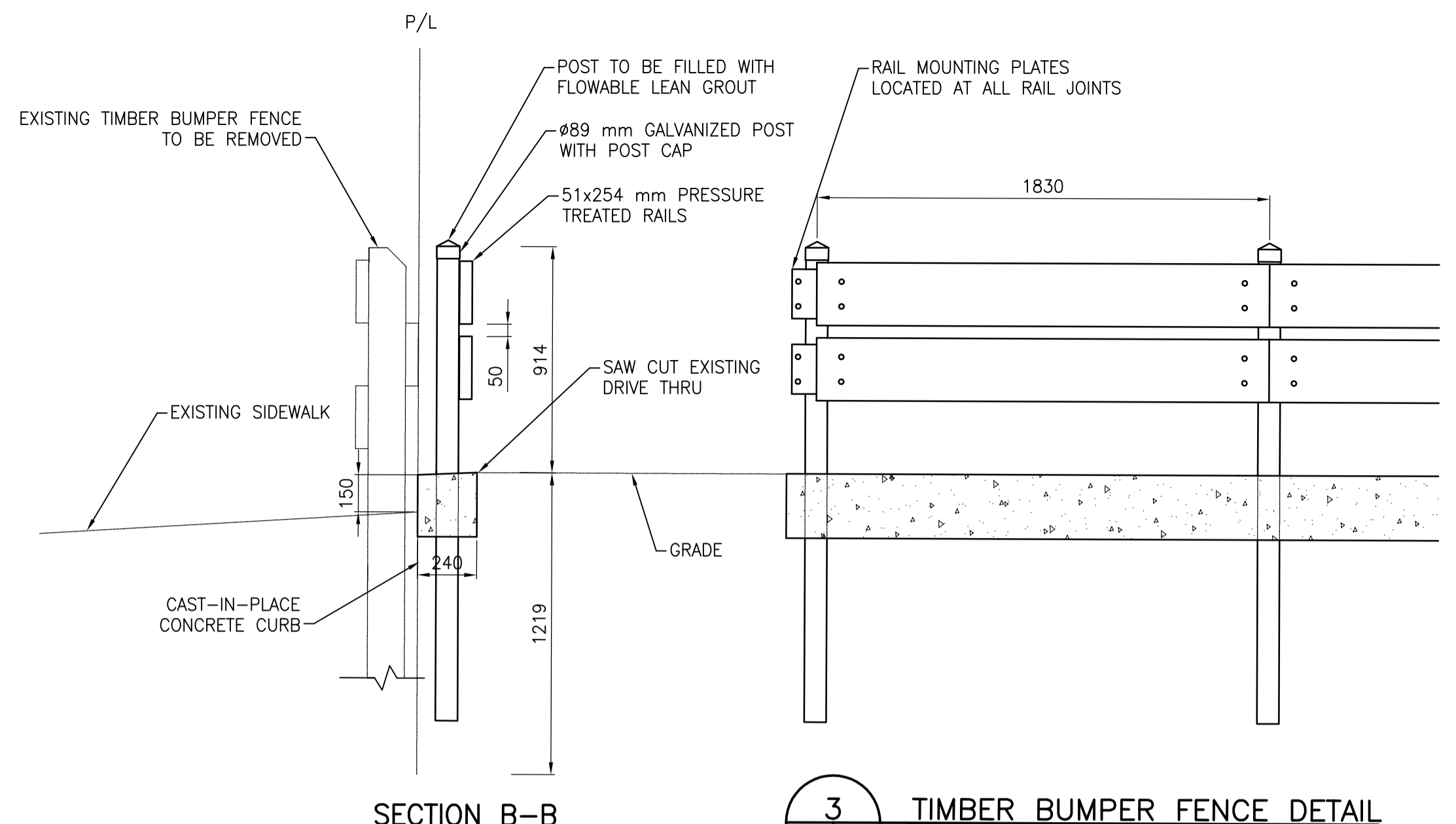
**1 UNIT PAVER INSERT**  
1:20



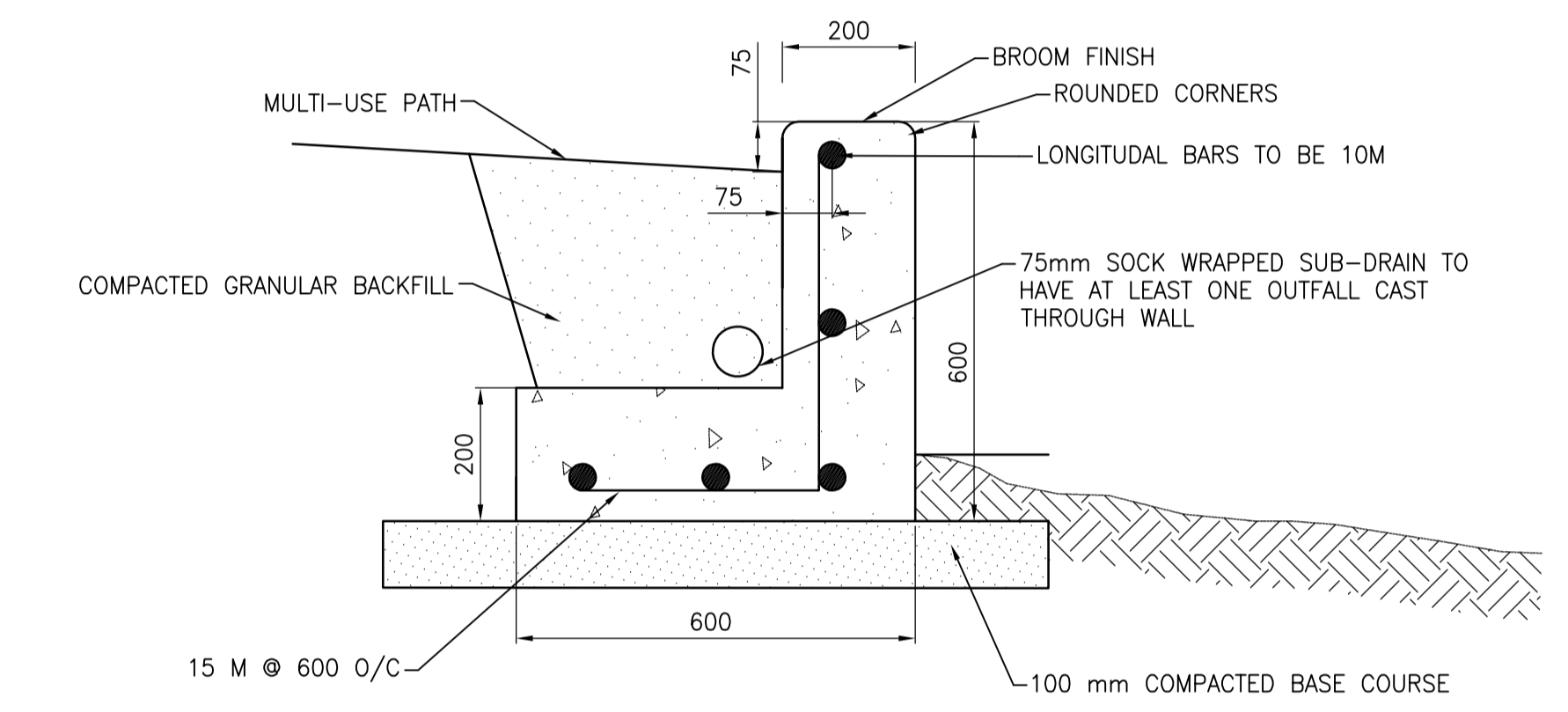
**2 BUS STOP AT BELVEAU RD./TYPICAL BUS STOP PAVER LAYOUT**  
1:100H 1:50V



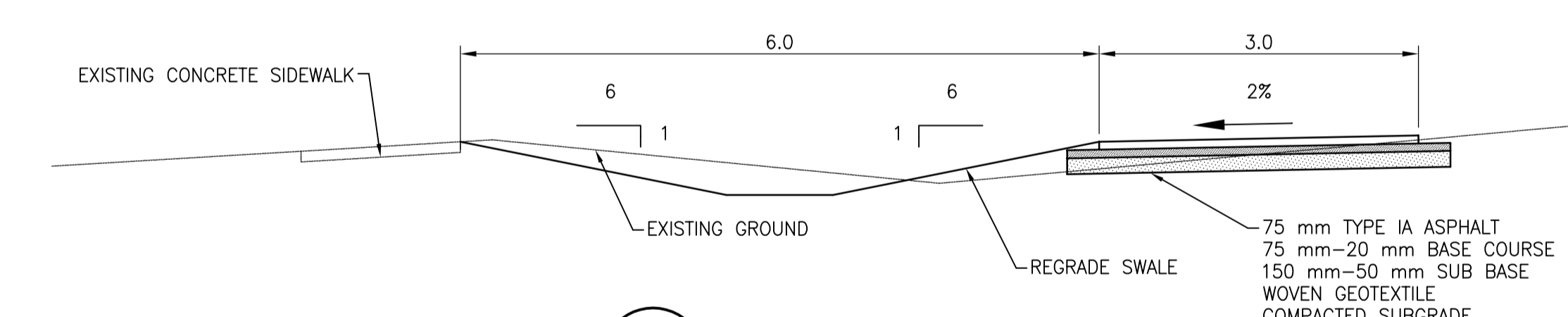
**C SECTION AT STA 5+010**  
1:20



**3 SECTION B-B**  
**3 TIMBER BUMPER FENCE DETAIL**  
1:20



**4 REINFORCED CONCRETE RETAINING WALL DETAIL**  
1:10



**B SECTION AT STA 4+350**  
1:100H 1:50V

**APEGM**  
Certificate of Authorization  
Stantec Consulting Ltd.  
No. 1301 Date: \_\_\_\_\_

**PRELIMINARY**  
NOT FOR CONSTRUCTION

DESIGNED BY	S.R.S.	CHECKED BY	V.M.M.
DRAWN BY	D.M.	APPROVED BY	S.R.S.
HOR. SCALE:	1:500	RELEASED FOR CONSTRUCTION:	
VERTICAL:	1:20	DATE	
1 ISSUED FOR TENDER	10.07.05 S.R.S.		
0 ISSUED FOR REVIEW	10.06.28 S.R.S.		
NO. REVISIONS	DATE	BY	

**Stantec Consulting Ltd.**  
905 Waverley Street, Winnipeg, Manitoba  
Tel 204-489-5900 Fax 204-453-9012

**THE CITY OF WINNIPEG**  
PUBLIC WORKS DEPARTMENT  
ENGINEERING DIVISION

**DAKOTA/DUNKIRK PATHWAY PH II**  
BISHOP GRANDIN BOULEVARD TO FERMO AVENUE  
MISCELLANEOUS DETAILS AND SECTIONS  
2010 ACTIVE TRANSPORTATION  
INFRASTRUCTURE STIMULUS PROGRAM

SHEET 15 OF 15  
CAD FILE DRAWING NUMBER 05260c-210-xxx.dwg  
CITY DRAWING NUMBER W-379-15

CONSULTANT DRAWING NO. C-501